

Lexmark X540 Series

Lexmark X543dn Lexmark X544 models Lexmark X546dtn



PRINT



COPY



SCAN



FAX



UP TO 25 PPM COLOR



UP TO 25 PPM BLACK



DUPLEX



NETWORK



Power up your workday with
Lexmark multifunction color!



LEXMARK[™]

Print Less. Save More.

Print less? This may seem like a surprising message for a company dedicated solely to printing. But when you consider that businesses spend on average up to 6% of their revenue on printing and that active print management can cut office print costs by up to 30%¹, it makes a lot of sense. Lexmark products, solutions and services provide innovative ways to save you time, drive down costs and reduce your impact on the environment. We are committed to helping you print less and save more.

¹ Source: InfoTrends/CapVentures, Network Document Solutions Forecast 2007-2012, Network Document Solutions Consulting Service, August 2008

The network-ready Lexmark X540 Series offers high-performance color and multifunction savings for cost-conscious small workgroups. What's more, you're protected by Lexmark's Lifetime Pricing Guarantee. Lexmark guarantees, for as long as you own your X540 Series never to increase the price of toner cartridges. You can save even more when you in enroll in Lexmark Rewards! See page 3 to learn more.



Easy to use, easy to share

Surprisingly compact for such a fully functioned solution, these devices are also incredibly quiet, easy to use and integrate effortlessly into your existing office environment.

- As quiet as 47 dBA while printing; reduce sound even more with Quiet Mode
- PCL 6 and PostScript 3 emulations ensure compatibility with your application software
- Network-ready for enhanced workgroup performance
- Quick and convenient cartridge replacement



The power of multifunction

Built for serious office work, these new color MFPs equip you with all the productivity functions you need to maximize your business performance.

- Move easily between hardcopy and digital documents with advanced scanning, such as scan to desktop, scan to e-mail or scan to FTP server
- Lexmark X544 models and X546dtn have Super G3 fax capability
- 100-sheet multipurpose feeder and 550-sheet main tray are combined in one unique Duo Drawer option



Color that makes a difference

Outstanding color adds impact to your important business documents. Lexmark puts its color expertise to work for you and gives you the tools you need to effectively control color output.

- Rich, vibrant, true 1200 x 1200 dpi color printing
- Lexmark High Yield Toner Cartridges to keep printing costs low
- Includes new generation Lexmark toner
- Consistent color balance with PANTONE® calibration
- Color-control tools: coverage estimator and ColorSaver™ mode

Eco-responsible printing

Printing responsibly means everyone wins – your business, your budget and the environment. Lexmark's color MFPs are eco-designed and come with a range of features to help you print greener at every level.

- Models with built-in duplex offer excellent value and paper savings
- Eco-Mode reduces power consumption
- Instant warm-up fuser saves energy while delivering first page quickly
- Free recycling of your empty toner cartridges through Lexmark Rewards or the Lexmark Cartridge Collection Program



Powerful scanning features!



Shake-free cartridges

Toner cartridges never require shaking to deliver their full declared yield



Scan to e-mail

Eliminates the need for paper copies; quickly locates addresses stored in your company directory



Direct USB

Front USB port for walk-up printing and scanning to memory device



Lexmark Scan Center software

Scan options and scan-to destinations located on one easy-to-use window



Multi-format support

Save your documents in common image formats (PDF, JPG, TIF) for viewing, sharing and use on the Web



Green looks good on you

When you purchase a Lexmark X540 Series color laser MFP, you can save up to 20 percent of the total cost of supplies while you help save the planet. Lexmark Rewards gives you free high-yield toner cartridges and imaging kits simply for using genuine Lexmark toner and returning your empty cartridges to Lexmark for recycling.

Advantages of Membership



FREE High Yield Toner Cartridge

As a Lexmark Rewards member, you will receive a free high-yield cartridge of your choice for every 10 empty toner cartridges you return to Lexmark for recycling.



2 FREE CREDITS per printer

As an incentive, we are offering you two free credits for each printer enrolled in Lexmark Rewards. Each new enrollment brings you closer to receiving your first free toner cartridge.



FREE Imaging Kit

For as long as you own your Lexmark X540 Series MFP and use and return the genuine Lexmark toner cartridges, we'll send you a free imaging kit whenever your MFP needs one.



FIXED PRICE for Life

Lexmark X540 Series owners are protected by the Lexmark Lifetime Pricing Guarantee. For as long as you own your X540 Series MFP, Lexmark guarantees not to increase the lexmark.com price* for toner cartridges.

*U.S. dollar price only. This guarantee does not apply to dealer and/or distributor pricing. See lexmark.com for complete details.

Get exactly the performance you need



Lexmark X543dn

Give critical documents a color punch, and still raise efficiency and save resources with this feature-rich 3-in-1 (print/copy/scan) laser MFP.

- Up to 21 ppm output in black and color
- High-quality printing, copying and scanning
- Built-in paper-saving duplex printing
- Optional Duo Drawer expands input capacity and includes a multipurpose feeder
- Ships with Lexmark High Yield Toner Cartridges (2,500*-page black, 2,000*-page color)
- Recommended monthly volume: 500 to 1,500 pages



Lexmark X544 models

Color your work world with a fast, full-function duplex laser MFP that's thrifty on resources and rich on features.

- Up to 25 ppm output in black and color
- Includes fax and high-quality duplex scanning
- Direct USB port for walk-up printing and scanning to memory device
- Lexmark Extra High Yield Toner Cartridges available (6,000*-page black, 4,000*-page color)
- Recommended monthly volume: 800 to 3,000 pages



Lexmark X546dtn

Versatile 4-in-1 color MFP with extra savings

- Up to 25 ppm output in black and color
- Ships with 4,000*-page black and color toner and a Duo Drawer
- 1,450-sheet maximum input capacity (with optional 550-sheet drawer)
- Lexmark Extra High Yield Toner Cartridges available (8,000*-page black, 4,000*-page color)
- Recommended monthly volume: 1,000 to 4,000 pages

| | Lexmark X543dn | Lexmark X544dn | Lexmark X546dtn |
|---|--|---|---|
| Printing | | | |
| Print Technology | Color Laser | | |
| Print Speed (Letter, Black): Up to | 21 ppm | 25 ppm | 25 ppm |
| Print Speed (Letter, Color): Up to | 21 ppm | 25 ppm | 25 ppm |
| Time to First Page (Black) | As fast as 13 seconds | | |
| Time to First Page (Color) | As fast as 14 seconds | As fast as 13 seconds | As fast as 13 seconds |
| Print Resolution, Black | 1200 x 1200 dpi, 4800 Color Quality (1200 x 600 dpi) | | |
| Print Resolution, Color | 1200 x 1200 dpi, 4800 Color Quality (1200 x 600 dpi) | | |
| Memory, Standard | 128 MB | 128 MB | 256 MB |
| Memory, Maximum | 640 MB | 640 MB | 640MB (Replacement required) |
| Print Noise Level, Operating | 47 dBA | 48 dBA | 48 dBA |
| Noise Level, Idle | inaudible dBA | | |
| Maximum Monthly Duty Cycle: Up to | 35,000 pages per month | 55,000 pages per month | 55,000 pages per month |
| Recommended Monthly Page Volume | 500 - 1,500 pages | 800 - 3,000 pages | 1,000 - 4,000 pages |
| Supplies | | | |
| Supplies Yield (*Average continuous black or continuous composite CMY declared cartridge yield up to this number of standard pages in accordance with ISO/IEC 19798.) | 1,000*-page color Toner Cartridges (CMY), 2,000*-page color High Yield Toner Cartridges (CMY), 2,500*-page Black High Yield Toner Cartridge, 1,000*-page Black Toner Cartridge | 1,000*-page color Toner Cartridges (CMY), 2,000*-page color High Yield Toner Cartridges (CMY), 4,000*-page color Extra High Yield Toner Cartridges (CMY), 2,500*-page Black High Yield Toner Cartridge, 6,000*-page Black Extra High Yield Toner Cartridge, 1,000*-page Black Toner Cartridge | 1,000*-page color Toner Cartridges (CMY), 2,000*-page color High Yield Toner Cartridges (CMY), 4,000*-page color Extra High Yield Toner Cartridges (CMY), 2,500*-page Black High Yield Toner Cartridge, 1,000*-page Black Toner Cartridge, 8,000*-page Black Extra High Yield Toner Cartridge |
| Cartridge(s) Shipping with Product | 2,500*-page Black Return Program Toner Cartridge, 2,000*-page color (CMY) Return Program Toner Cartridges | 2,500*-page Black Return Program Toner Cartridge, 2,000*-page color (CMY) Return Program Toner Cartridges | 4,000*-page Black starter Return Program Toner Cartridge, 4,000*-page Color (CMY) Extra High Yield Return Program Toner Cartridges |
| Copying | | | |
| Copy Speed (Letter, Black): Up to | 21 cpm | 25 cpm | 25 cpm |
| Copy Speed (Letter, Color): Up to | 21 cpm | 25 cpm | 25 cpm |
| ADF Scan | Simplex | RADF (Reversing Duplex) | RADF (Reversing Duplex) |
| Scanning Resolution | 600 X 600 dpi | | |
| Reduce / Enlarge Range | 25 - 400 % | | |
| Faxing | | | |
| Modem Speed | 33.6 Kbps | | 33.6 Kbps |
| Paper Handling | | | |
| Paper Handling Standard | 150-Sheet Output Bin, Integrated Duplex, Single Sheet Manual Feed, 250-Sheet Input Tray | 150-Sheet Output Bin, Single Sheet Manual Feed, 250-Sheet Input Tray | 150-Sheet Output Bin, Integrated Duplex, Single Sheet Manual Feed, 250-Sheet Input Tray, 550-Sheet Duo Drawer with 100-Sheet Feeder |
| Paper Handling Optional | 550-Sheet Duo Drawer with 100-Sheet Multipurpose Feeder | 550-Sheet Duo Drawer with 100-Sheet Multipurpose Feeder | 550-Sheet Drawer |
| Paper Input Capacity, Standard: Up to | 250+1 pages 20 lb or 75 gsm bond | 250+1 pages 20 lb or 75 gsm bond | 900+1 pages 20 lb or 75 gsm bond |
| Paper Input Capacity, Maximum: Up to | 900 +1 pages 20 lb or 75 gsm bond | 900 +1 pages 20 lb or 75 gsm bond | 1,450 +1 pages 20 lb or 75 gsm bond |
| Paper Output Capacity, Standard: Up to | 150 pages 20 lb or 75 gsm bond | | |
| Paper Output Capacity, Maximum: Up to | 150 pages 20 lb or 75 gsm bond | | |
| ADF Paper Input Capacity : Up to | 50 pages 20 lb or 75 gsm bond | | |
| Media Types Supported | Card Stock, Paper Labels, Plain Paper, Transparencies, Refer to the Card Stock & Label Guide | Card Stock, Paper Labels, Plain Paper, Transparencies, Refer to the Card Stock & Label Guide | Card Stock, Envelopes, Paper Labels, Plain Paper, Transparencies, Refer to the Card Stock & Label Guide |
| Media Sizes Supported | A4, A5, Executive, Folio, JIS-B5, Legal, Letter, Universal, Oficio, A6 | A4, A5, Executive, Folio, JIS-B5, Legal, Letter, Universal, Oficio, A6 | 10 Envelope, 7 3/4 Envelope, 9 Envelope, A4, A5, B5 Envelope, C5 Envelope, DL Envelope, Executive, Folio, JIS-B5, Legal, Letter, Statement, Universal, Oficio, A6 |
| Compatibility | | | |
| Network Protocol Support | TCP/IP IPv4, AppleTalk™, TCP/IP IPv6, TCP, UDP | | |
| Printer Languages (Standard) | PCL 5c Emulation, PCL 6 Emulation, Personal Printer Data Stream (PPDS), PostScript 3 Emulation, PDF 1.6 | PCL 5c Emulation, PCL 6 Emulation, Personal Printer Data Stream (PPDS), PostScript 3 Emulation, PDF 1.6, Direct Image | PCL 5c Emulation, PCL 6 Emulation, Personal Printer Data Stream (PPDS), PostScript 3 Emulation, PDF 1.6, Direct Image |
| Standard Ports | Ethernet 10/100BaseTX (RJ-45), USB 2.0 Specification Hi-Speed Certified (Type B) | Ethernet 10/100BaseTX (RJ-45), USB 2.0 Specification Hi-Speed Certified (Type B), PictBridge Certified Port, Front USB Port Compatible with USB 2.0 Specification (Type A) | Ethernet 10/100BaseTX (RJ-45), USB 2.0 Specification Hi-Speed Certified (Type B), PictBridge Certified Port, Front USB Port Compatible with USB 2.0 Specification (Type A) |
| Microsoft Windows Operating Systems Supported | 2000, XP, Server 2003, XP x64, Server 2003 running Terminal Services, 2000 Server running Terminal Services, Server 2003 x64, Server 2003 x64 running Terminal Services, Vista, Vista x64, Server 2008, Server 2008 x64, Server 2008 running Terminal Services, Server 2008 x64 running Terminal Services, Windows 7 | | |
| Apple Macintosh Operating Systems Supported | Mac OS X, Mac OS 9.2 | | |
| General | | | |
| Function | Color Copying, Color Printing, Network Scanning | Color Copying, Color Faxing, Color Printing, Color Scanning, Network Scanning | Color Copying, Color Faxing, Color Printing, Color Scanning, Network Scanning |
| Product Warranty | 1-Year Onsite Service, Next Business Day | | |
| Product Certifications | www.lexmark.com | | |
| Size (in. - H x W x D) | 18.23 x 17.32 x 21.14 in. | 18.23 x 17.32 x 21.14 in. | 23.5 x 17.32 x 21.14 in. |
| Weight (lb.) | 59 lb. | 60 lb. | 69.15 lb. |
| Specified Operating Environment | Temperature: 16 to 32°C (60 to 90°F), Humidity: 8 to 80% Relative Humidity, Altitude: 0 - 3048 Meters (10,000 Feet) | | |

Recommended Monthly Page Volume

«Recommended Monthly Page Volume» is a range of pages that helps customers evaluate Lexmark's product offerings based on the average number of pages customers plan to print on the device each month. Lexmark recommends that the number of pages per month be within the stated range for optimum device performance, based on factors including: supplies replacement intervals, paper loading intervals, speed, and typical customer usage.

Maximum Monthly Duty Cycle

«Maximum Monthly Duty Cycle» is defined as the maximum number of pages a device could deliver in a month using a multishift operation. This metric provides a comparison of robustness in relation to other Lexmark printers and MFPS.

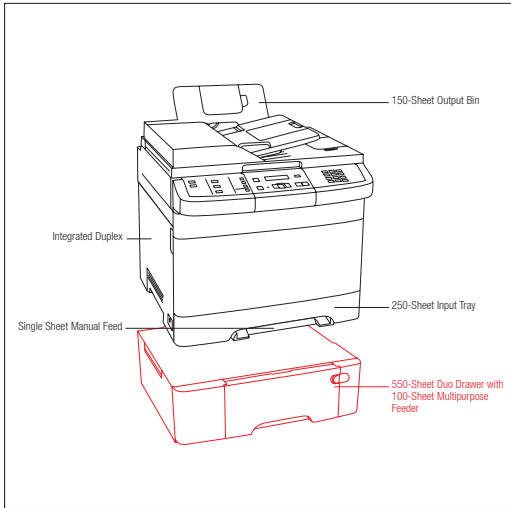
Trademarks

Lexmark and Lexmark with the diamond design are trademarks of Lexmark International, Inc., registered in the United States and/or other countries. All other trademarks are the property of their respective owners. PCL is a registered trademark of Hewlett-Packard Company. AppleTalk, Mac and Macintosh are trademarks of Apple Computer, Inc., registered in the United States and other countries. MarkNet and MarkVision are trademarks of Lexmark International, Inc., registered in the United States and/or other countries. The USB-IF logos are trademarks of Universal Serial Bus Implementers Forum, Inc. ENERGY STAR® is a U.S. registered mark. Microsoft, Windows, the Windows logo, Windows Vista, and the Windows Vista logo are trademarks or registered trademarks of Microsoft Corporation in the United States and/or other countries. Citrix, MetaFrame and MetaFrame XP are registered trademarks or trademarks of Citrix Systems, Inc. in the U.S. and other countries. Information in this document is subject to change without notice.

License/Agreement Terms

Printers are sold subject to certain license/agreement conditions. See www.lexmark.com/printerlicense for details.

Lexmark X543dn



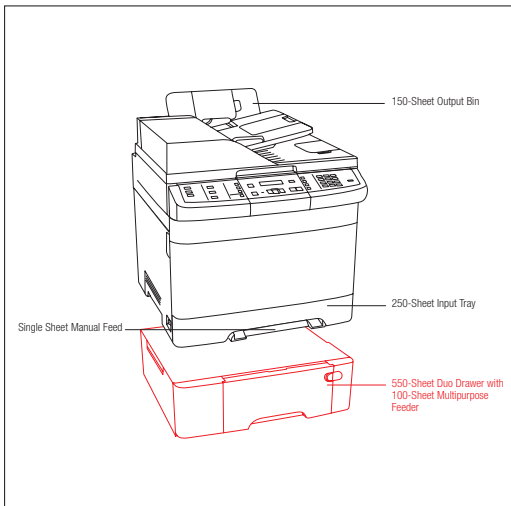
■ Paper Handling Standard
■ Paper Handling Optional

| Part # | Model |
|----------|--|
| 3001385 | Lexmark X543dn |
| Part # | Laser Toner/Print Cartridge |
| C540H1KG | C54x, X54x Black High Yield Return Program Toner Cartridge |
| C540H1CG | C54x, X54x Cyan High Yield Return Program Toner Cartridge |
| C540H1MG | C54x, X54x Magenta High Yield Return Program Toner Cartridge |
| C540H1YG | C54x, X54x Yellow High Yield Return Program Toner Cartridge |
| C540A1KG | C54x, X54x Black Return Program Toner Cartridge |
| C540A1CG | C54x, X54x Cyan Return Program Toner Cartridge |
| C540A1MG | C54x, X54x Magenta Return Program Toner Cartridge |
| C540A1YG | C54x, X54x Yellow Return Program Toner Cartridge |
| C540H2KG | C54x, X54x Black High Yield Toner Cartridge |
| C540H2CG | C54x, X54x Cyan High Yield Toner Cartridge |
| C540H2MG | C54x, X54x Magenta High Yield Toner Cartridge |
| C540H2YG | C54x, X54x Yellow High Yield Toner Cartridge |
| C540X75G | C54x, X54x Waste Toner Bottle |
| C540X71G | C54x, X54x Black Imaging Kit |
| C540X74G | C54x, X54x Black and Color Imaging Kit |
| Part # | Paper & Transparencies |
| 12A8240 | Professional Color Laser Transparencies, Letter |
| Part # | Paper Handling |
| 3000551 | 550-Sheet Duo Drawer with 100-Sheet Multipurpose Feeder |
| Part # | Memory Options |
| 1022298 | 128MB DDR1-DRAM |
| 1022299 | 256MB DDR1-DRAM |
| 1022301 | 512MB DDR1-DRAM |
| 1021209 | 64MB Flash Card |
| 30G0828 | Japanese Font Card |
| 30G0825 | Korean Font Card |
| 30G0826 | Simplified Chinese Font Card |
| 30G0827 | Traditional Chinese Font Card |
| Part # | Connectivity |
| 1021294 | USB Cable (2-meter) |
| 14T0145 | Lexmark N4050e 802.11g Wireless Print Server |
| 14T0220 | MarkNet™ N7020e Gigabit Ethernet Print Server |
| Part # | Extended Warranties |
| 2350503 | 2-Years Total Onsite Service, Next Business Day |
| 2350504 | 3-Years Total Onsite Service, Next Business Day |
| 2350507 | 1-Year Onsite Service Renewal, Next Business Day |

| Part # | User Replaceable Parts |
|----------|---|
| 40X5471 | ADF Separator Roll |
| 40X5472 | ADF Separator Pad |
| 40X5539 | X543 Scanner Cover Cushion |
| 40X5470 | ADF Paper Tray |
| 40X2254 | C54x, X54x Fuser Maintenance kit, 110-120V |
| 40X5484 | Output Bin Extension |
| 40X5168 | Pick Tire |
| 3049485 | X543, X544 Relocation Kit |
| 40X5403 | C54x, X54x Image Transfer Unit |
| C540X31G | C540, C543, C544, X543, X544 Black Developer Unit |
| C540X32G | C540, C543, C544, X543, X544 Cyan Developer Unit |
| C540X33G | C540, C543, C544, X543, X544 Magenta Developer Unit |
| C540X34G | C540, C543, C544, X543, X544 Yellow Developer Unit |
| Part # | Service Parts |
| 40X5406 | C54x, X543, X54x Fuser 110-120V |

In the box
 Lexmark X543dn Multifunction Color Laser, up to 2,000*-page color High Yield Return Program Toner Cartridges (CMY), up to 2,500*-page black High Yield Return Program Toner Cartridge, software and documentation CD, power cord(s), RJ-11 phone cable or adapter (country dependent), setup guides (network and local attachment), Lexmark Rewards brochure, Lexmark Cartridge Collection Program information, Statement of Limited Warranty, operator panel language overlays

Lexmark X544n



■ Paper Handling Standard
■ Paper Handling Optional

| Part # | Model |
|----------|--|
| 3044503 | Lexmark X544n |
| Part # | Laser Toner/Print Cartridge |
| C544X1KG | C544, X544 Black Extra High Yield Return Program Toner Cartridge |
| C544X1CG | C544, X544 Cyan Extra High Yield Return Program Toner Cartridge |
| C544X1MG | C544, X544 Magenta Extra High Yield Return Program Toner Cartridge |
| C544X1YG | C544, X544 Yellow Extra High Yield Return Program Toner Cartridge |
| C540H1KG | C54x, X54x Black High Yield Return Program Toner Cartridge |
| C540H1CG | C54x, X54x Cyan High Yield Return Program Toner Cartridge |
| C540H1MG | C54x, X54x Magenta High Yield Return Program Toner Cartridge |
| C540H1YG | C54x, X54x Yellow High Yield Return Program Toner Cartridge |
| C540A1KG | C54x, X54x Black Return Program Toner Cartridge |
| C540A1CG | C54x, X54x Cyan Return Program Toner Cartridge |
| C540A1MG | C54x, X54x Magenta Return Program Toner Cartridge |
| C540A1YG | C54x, X54x Yellow Return Program Toner Cartridge |
| C544X2KG | C544, X544 Black Extra High Yield Toner Cartridge |
| C544X2CG | C544, X544 Cyan Extra High Yield Toner Cartridge |
| C544X2MG | C544, X544 Magenta Extra High Yield Toner Cartridge |
| C544X2YG | C544, X544 Yellow Extra High Yield Toner Cartridge |
| C540H2KG | C54x, X54x Black High Yield Toner Cartridge |
| C540H2CG | C54x, X54x Cyan High Yield Toner Cartridge |
| C540H2MG | C54x, X54x Magenta High Yield Toner Cartridge |
| C540H2YG | C54x, X54x Yellow High Yield Toner Cartridge |
| C540X75G | C54x, X54x Waste Toner Bottle |
| C540X71G | C54x, X54x Black Imaging Kit |
| C540X74G | C54x, X54x Black and Color Imaging Kit |
| Part # | Paper & Transparencies |
| 12A8240 | Professional Color Laser Transparencies, Letter |
| Part # | Paper Handling |
| 3000551 | 550-Sheet Duo Drawer with 100-Sheet Multipurpose Feeder |
| Part # | Memory Options |
| 1022298 | 128MB DDR1-DRAM |
| 1022299 | 256MB DDR1-DRAM |
| 1022301 | 512MB DDR1-DRAM |
| 1021209 | 64MB Flash Card |
| 30G0828 | Japanese Font Card |
| 30G0825 | Korean Font Card |

| 30G0826 | Simplified Chinese Font Card |
|----------|---|
| 30G0827 | Traditional Chinese Font Card |
| Part # | Connectivity |
| 1021294 | USB Cable (2-meter) |
| 14T0145 | Lexmark N4050e 802.11g Wireless Print Server |
| 14T0220 | MarkNet™ N7020e Gigabit Ethernet Print Server |
| Part # | Extended Warranties |
| 2350521 | 2-Years Total Onsite Service, Next Business Day |
| 2350522 | 3-Years Total Onsite Service, Next Business Day |
| 2350525 | 1-Year Onsite Service Renewal, Next Business Day |
| Part # | User Replaceable Parts |
| 40X5471 | ADF Separator Roll |
| 40X5472 | ADF Separator Pad |
| 40X5535 | ADF Flatbed Cushion |
| 40X5470 | ADF Paper Tray |
| 40X2254 | C54x, X54x Fuser Maintenance kit, 110-120V |
| 40X5484 | Output Bin Extension |
| 40X5168 | Pick Tire |
| 3049485 | X543, X544 Relocation Kit |
| 40X5403 | C54x, X54x Image Transfer Unit |
| C540X31G | C540, C543, C544, X543, X544 Black Developer Unit |
| C540X32G | C540, C543, C544, X543, X544 Cyan Developer Unit |
| C540X33G | C540, C543, C544, X543, X544 Magenta Developer Unit |
| C540X34G | C540, C543, C544, X543, X544 Yellow Developer Unit |
| Part # | Service Parts |
| 40X5406 | C54x, X543, X54x Fuser 110-120V |

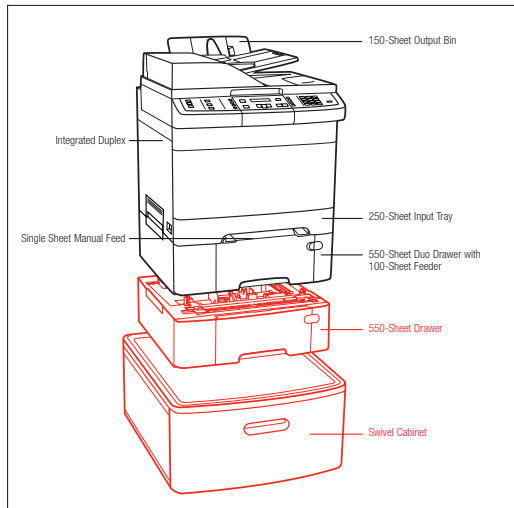
Other available models:

- Lexmark X544dn: Network-ready plus duplex, Part #3001389
- Lexmark X544dw: Built-in wireless plus duplex, Part #26C0400

In the box

Lexmark X544n Multifunction Color Laser, up to 2,000*-page color High Yield Return Program Toner Cartridges (CMY), up to 2,500*-page black High Yield Return Program Toner Cartridge, software and documentation CD, power cord(s), RJ-11 phone cable or adapter (country dependent), setup guides (network and local attachment), Lexmark Rewards brochure, Lexmark Cartridge Collection Program information, operator panel language overlays, Statement of Limited Warranty

Lexmark X546dtn



■ Paper Handling Standard
■ Paper Handling Optional

| Part # | Model |
|----------|--|
| 26C0235 | Lexmark X546dtn |
| Part # | Laser Toner/Print Cartridge |
| C546U1KG | C546, X546 Black Extra High Yield Return Program Toner Cartridge |
| C544X1CG | C544, X544 Cyan Extra High Yield Return Program Toner Cartridge |
| C544X1MG | C544, X544 Magenta Extra High Yield Return Program Toner Cartridge |
| C544X1YG | C544, X544 Yellow Extra High Yield Return Program Toner Cartridge |
| C540H1KG | C54x, X54x Black High Yield Return Program Toner Cartridge |
| C540H1CG | C54x, X54x Cyan High Yield Return Program Toner Cartridge |
| C540H1MG | C54x, X54x Magenta High Yield Return Program Toner Cartridge |
| C540H1YG | C54x, X54x Yellow High Yield Return Program Toner Cartridge |
| C540A1KG | C54x, X54x Black Return Program Toner Cartridge |
| C540A1CG | C54x, X54x Cyan Return Program Toner Cartridge |
| C540A1MG | C54x, X54x Magenta Return Program Toner Cartridge |
| C540A1YG | C54x, X54x Yellow Return Program Toner Cartridge |
| C546U2KG | C546, X546 Black Extra High Yield Toner Cartridge |
| C544X2CG | C544, X544 Cyan Extra High Yield Toner Cartridge |
| C544X2MG | C544, X544 Magenta Extra High Yield Toner Cartridge |
| C544X2YG | C544, X544 Yellow Extra High Yield Toner Cartridge |
| C540H2KG | C54x, X54x Black High Yield Toner Cartridge |
| C540H2CG | C54x, X54x Cyan High Yield Toner Cartridge |
| C540H2MG | C54x, X54x Magenta High Yield Toner Cartridge |
| C540H2YG | C54x, X54x Yellow High Yield Toner Cartridge |
| C540X75G | C54x, X54x Waste Toner Bottle |
| C540X71G | C54x, X54x Black Imaging Kit |
| C540X74G | C54x, X54x Black and Color Imaging Kit |
| Part # | Paper & Transparencies |
| 12A8240 | Professional Color Laser Transparencies, Letter |
| Part # | Paper Handling |
| 3051710 | C546, X546 550-Sheet Drawer |
| Part # | Furniture |
| 3052765 | Swivel Cabinet |
| Part # | Memory Options |
| 1022299 | 256MB DDR1-DRAM |
| 1022301 | 512MB DDR1-DRAM |
| 1021209 | 64MB Flash Card |

| 30G0828 | Japanese Font Card |
|----------|--|
| 30G0825 | Korean Font Card |
| 30G0826 | Simplified Chinese Font Card |
| 30G0827 | Traditional Chinese Font Card |
| Part # | Connectivity |
| 1021294 | USB Cable (2-meter) |
| 1410145 | Lexmark N4050e 802.11g Wireless Print Server |
| 1410220 | MarkNet™ N7020e Gigabit Ethernet Print Server |
| Part # | Extended Warranties |
| 2352754 | X546 2-Years Total (1+1) Onsite Service, Next Business Day |
| 2352755 | X546 3-Years Total (1+2) Onsite Service, Next Business Day |
| 2352758 | X546 1-Year Onsite Service Renewal, Next Business Day |
| Part # | User Replaceable Parts |
| 40X5471 | ADF Separator Roll |
| 40X5472 | ADF Separator Pad |
| 40X5535 | ADF Flatbed Cushion |
| 40X5470 | ADF Paper Tray |
| 40X2254 | C54x, X54x Fuser Maintenance kit, 110-120V |
| 40X5484 | Output Bin Extension |
| 40X5168 | Pick Tire |
| 3049485 | X543, X544 Relocation Kit |
| 40X5403 | C54x, X54x Image Transfer Unit |
| C540X31G | C540, C543, C544, X543, X544 Black Developer Unit |
| C540X32G | C540, C543, C544, X543, X544 Cyan Developer Unit |
| C540X33G | C540, C543, C544, X543, X544 Magenta Developer Unit |
| C540X34G | C540, C543, C544, X543, X544 Yellow Developer Unit |
| Part # | Service Parts |
| 40X5406 | C54x, X543, X54x Fuser 110-120V |
| Part # | Installation Service |
| 2352771 | X546 Install, De-Install Service |

In the box

Lexmark X546dtn Color Laser Multifunction, Includes a 550-Sheet Duo Drawer with 100-Sheet Multipurpose Feeder, up to 4,000*-page color (CMY) Return Program Toner Cartridges, up to 4,000*-page black Return Program Toner Cartridge, 4 Developer units (CMYK), Photoconductor unit, Software and Documentation CD, Power cord(s), RJ-11 Phone cable or adapter (country dependent), Lexmark Cartridge Collection Program information, Setup guide or sheet (network and local attachment), Statement of limited warranty / guarantee, Operator panel language overlays

Lexmark's guarantee to you

Lexmark's 1-Year Onsite warranty provides added peace of mind. Enhanced service offerings may be available by contacting your Lexmark representative or visiting www.lexmark.com. Optimize your printer's performance and investment value by using genuine Lexmark supplies.



Environmental commitment

Lexmark believes that the environment is a critical component of responsible business management and clearly demonstrates it by implementing the "4R" strategy: Reduce, Recover, Reuse and Recycle. To learn more about these programs please visit www.lexmark.com/recycle.

Cost-saving and environmental features

- Duplex models are Energy Star compliant
- Duplex printing, Print and Hold (verify print), multi-up printing and using recycled paper conserve resources
- Selectable toner saving modes help reduce the amount of toner used on a page
- Lexmark Cartridge Collection Program and end-of-life product recycling help reduce waste

