



# Lexmark CX725 Series



Combining the capabilities and durability of a workgroup MFP with the ease of use of a personal output device, the CX725 Series features enterprise-level security and integration into Lexmark's smart MFP ecosystem, all in a simple, intuitive design.

## Fast and quick printing

Printing up to 50 pages per minute in black or color, and scanning at up to 60 images per minute, the Lexmark CX725 Series is the fastest in its class\*.

Speed is important for high-volume printing, but most jobs are short—less than three pages.

Fortunately, the CX725 Series has a time to first black page as low as 5 seconds, and 5.5 for color. The CX725 Series often prints short jobs before a user can even get up from their chair, and minimizes waiting time for users who initiate printing from the touch screen.

## Processing power

Printing graphics-intensive color files can be a challenge for any MFP. However, with the most powerful print controller in its class\* (including a 1.2 GHz quad-core processor, up to 4 GB of memory and hard disk), the CX725 Series can easily power through complex documents.



Color



Solutions



Up to 50 ppm



7-inch touch screen



## Reliable, flexible media handling

Paper misfeeds and jams are wasteful, annoying to deal with and time-consuming to resolve. The CX725 Series is engineered to make media loading and feeding easier and more reliable than ever.

**Input flexibility:** With maximum input capacity of up to 2300 pages, the CX725 Series gives you plenty of printing without time-consuming paper loading. And easily adjustable universal input trays let you load envelopes or media as small as A6 (4.1 x 5.8 inches) in any tray without worrying about misfeeds. The 100-sheet multipurpose feed input is easy to access and convenient for special media needs, including 52-inch banner support.

**Input reliability:** The Lexmark CX725 Series is built with the same level of robust media handling that Lexmark's highest-performance monochrome printers are known for. The series' paper trays are virtually jam-proof, built with exceptional durability and mounted on steel rails—all working together for added reliability, ease of use and long life, even in challenging environments.

**ADF scanning:** Load up the automatic document feeder with up to 50 sheets of paper, and count on perfectly straight scans resulting from the CX725 Series' integrated deskew feature.

## Superb print quality

The CX725 Series offers print technology usually found only in higher-priced color devices. It creates sharp, consistent and smooth images for professional-looking print jobs.

**Ultra-sharp quality:** The CX725 Series provides Lexmark's ultra-sharp 4800 Color Quality (4800 CQ) at maximum print speed. And built-in font outlining automatically smooths character edges and prevents broken characters for outstanding text clarity in any language.

**Spot-on color:** The CX725 Series provides both PANTONE® calibration and embedded color sample pages to help you nail perfect color at the design stage. Lexmark Color Replacement technology combines spot color replacement and RGB replacement for precision matching of critical colors such as those found in corporate logos. It's color so accurate, you can do everything in-house.

This is a Class A device according to international electromagnetic emissions standards (i.e., FCC Rules, EN 55022/EN 55032, etc.). Class A products are intended for use in non-residential/non-domestic environments. Use of a Class A product in residential/domestic environments may cause interference to radio communications and require corrective measures.

\*Class is defined as A4 color laser MFPs priced between \$2,000 and \$2,999 as of November 2015. Comparison based on manufacturers' web price and published speed specifications as reported by Buyers Laboratory (BLI), as of November 2015.

## Quality scanning

**Advanced scanning technology:** The CX725 Series scans at up to 60 images per minute and its advanced scanning technology includes:

- ▶ Automatic full-speed deskew to straighten scanned images. This eliminates the need for manual straightening of image files and saves time.
- ▶ Full-speed scanning of mixed originals to scan a stack of different-sized originals without slowing the scan speed.
- ▶ Page-level jam recovery to quickly resume a copy or scan job from where a jam or misfeed occurred.
- ▶ Standard MRC (Mixed Raster Content) image file compression technology to reduce scanned file sizes by approximately 50% with no image quality reduction.

Such advanced scanning technology supports accurate data capture using the included AccuRead Optical Character Recognition (OCR) software.

The optional Perceptive Capture software adds even more functionality to extract scanned information, organize it and share content with the people, business systems and processes that need it most, bringing order to chaos.

And the Lexmark VirtualReScan (VRS) integration option improves scanning productivity and capture efficiency by reducing the time involved in manual document preparation and automatically enhancing the quality of scanned images.\*

## Software solutions save money and energy


Lexmark's Embedded Solutions Framework (eSF) and Cloud Solutions Framework (cSF) allow the CX725 Series to load and run software solutions tailored to your specific need or industry.


Lexmark devices with cSF can run web apps designed for the device, accessed via the cloud or an on-premise server. eSF applications are created by Lexmark, its partners and customers, and loaded directly on the device.


The CX725 Series can also integrate with Kofax TotalAgility® from Lexmark, the market's first and only unified platform for the development and deployment of smart process applications. TotalAgility provides the essential connection between your systems of engagement and systems of record, making the information-intensive interactions you have with your customers smarter. TotalAgility dramatically transforms the business-critical First Mile™ of information-intensive customer interactions.


Solutions capabilities like that combine with Lexmark fleet management tools and your existing enterprise software and technical infrastructure to form the Lexmark smart MFP ecosystem. Its adaptability future-proofs your investment in Lexmark technology.

## Included eSF solutions:

 **Forms and Favorites:** Eliminate waste and inaccuracy associated with preprinted forms and other documents by locating and selecting them from network storage locations or content management applications right from the device's touch screen. With the Forms and Favorites solution, you can print Microsoft® Office documents directly from the device, as well as PDF, XPS, JPG, PRN, TIFF and other file formats.

 **Scan Center:** Save time by scanning originals once and automatically sending the scanned image to multiple user-selectable locations. Destinations include shared network folder, email, fax, FTP server, cloud drive, internal hard disk, mobile device or remote printer.

 **AccuRead OCR:** CX725 configurations with a hard disk include an application that turns paper documents into searchable PDFs or Microsoft Word .DOCX files to get documents out of a file cabinet and into a searchable database. Eliminate post-scan OCR processing with desktop- or server-based software by processing data directly at the device.

 **Card Copy:** Save time and effort in copying identification cards, licenses and insurance cards by automatically scanning, enlarging and printing both sides of a two-sided card onto one side of a sheet of paper.

\*VirtualReScan integration via TotalAgility

### Serious output, minimal downtime

The CX725 Series is engineered with long-life consumables so you can print, scan, and copy with minimal downtime and get more work done.

**Toner for the long haul:** Available High Yield toner cartridges produce up to 25,000 black and 16,000 color pages<sup>1</sup>, the highest number of any A4 color laser MFP\*. By reducing the number of times toner runs out, the output keeps going even in high-usage environments.

**Long-life components:** Constantly replacing components creates unnecessary waste and carbon emissions and hurts productivity as the MFP stops and print jobs back up. The CX725 Series' long-life components minimize downtime with imaging components that can last up to 150,000 pages depending on usage. In fact, the photoconductor unit drums are covered with an ultra-durable coating that can produce print quality as good at page 150,000 as it does on page one. Plus, an advanced auto color retract feature actually pulls color printing components away during monochrome printing to prevent premature wear. And with the option to continue printing color pages in black if any of the color cartridges run out, the CX725 lets you choose to keep your print jobs moving.

**Quality in Unison:** Unison™ Toner is the result of advanced toner science—powerful enough to deliver consistently outstanding image quality with rich, vibrant color and precise details, plus long-life system reliability and amazing sustainability. Documents printed with Unison Toner look great from the first page to the last because of its uniquely engineered formulation. Even when the cartridge is low, there's no fading and no need to shake the cartridge, and you won't waste money by replacing a cartridge that still has toner in it.

Unison Toner's unique low-friction qualities increase toner flow and contribute to its ability to transfer efficiently to the page. Unison Toner reduces internal wear on long-life components and protects the print system. This delivers long-term reliability and ultimately saves time, money and the environment.

Unison Toner is uniquely tuned to the CX725 Series' print system for optimal performance.

### Lexmark Managed Print Services (MPS)

Lexmark Managed Print Services (MPS) takes a holistic approach to improving the enterprise print architecture. Lexmark aligns devices with the business mission and takes care of their day-to-day management with proactive and predictive service to ensure optimal uptime. Once in place, the managed environment becomes a conduit to unify print and digital information for streamlined processes. Customers benefit with fewer devices, fewer pages, lower cost and improved knowledge worker productivity.

\*Class is defined as A4 color laser MFPs priced between \$2,000 and \$2,999 as of November 2015. Comparison based on manufacturers' web price and published speed specifications as reported by Buyers Laboratory (BLI) as of November 2015.



## Security and more

**Advanced security features:** Lexmark CX725 Series security features encompass device management, hardening and operation.

**Device management:** A combination of administrative access and passwords, HTTPS, SNMPv3, IPsec and 802.1x support lets you remotely monitor, manage, authorize and authenticate who and what gets access to the network.

**Device hardening:** Built-in tools include port filtering and TCP connection filtering to restrict which connections are active from what sources. Encryption and wiping of the optional hard disk protect sensitive print job data. Digitally signed firmware updates can prevent hackers from uploading compromised software to the device.

**Device operation:** You get user authentication via PIN, passwords or badge reader, address book lookup via LDAP over SSL (Secure Socket Layer) to provide a secure connection between the device and the network, and device operator panel lockouts to protect the device settings.

**Hard disk protection:** Models equipped with the hard disk include advanced hard disk protection with 256-bit AES encryption and encryption keys stored in the device's memory, not the hard disk. The data is protected even if the hard disk is removed. This level of protection is automatic at power up—users and administrators do not have to do anything.

The CX725 Series also performs automatic file-based hard disk wiping after every print job, which cannot be disabled.

And the process of clearing a device's disk drive and non-volatile memory data when removing it from service or a secure location is simple with a one-step "out of service" wiping command for authorized users.

## Ease of use features

**7-inch color touch screen:** The bright touch screen features an ultra-smooth surface and can be activated by almost anything, including pens, fingertips or nails—without pressure or direct skin contact. And support for gestures like swipe to access panels and menus makes operation easy and intuitive. Audible feedback from the screen provides user assurance, while a separate 10-key number pad improves accessibility and enhances convenience.

**Intuitive interface:** The e-Task interface with modern tablet-like capabilities is familiar to users, minimizing the need for training. On-screen features allow users to select specific pages within a document, do print preview and change print job settings at the device.

**Wireless and mobile printing:** Lexmark Print Management was the first AirPrint®-certified enterprise print management solution. Lexmark mobile printing includes support for iOS, Android, and Microsoft® Windows Mobile printing, with optional wireless and NFC direct connectivity from smartphones and tablets. The CX725 is a Mopria®-certified printer and is Google Cloud Print™ Ready.

**Direct printing:** Convenient front USB port allows true PC-free printing of Microsoft Office files, PDFs and other documents and image types from flash drives, network servers or online drives.

**Accessibility:** The CX725 Series includes advanced Section 508 and European Standard EN 301 549 accessibility features for those with varying levels of ability. Features such as an operator panel that tilts from almost horizontal to almost vertical, paper trays that can be closed with less than five pounds of force, high-contrast labeling, headphone jack and standard talk-back feature provide a better user experience for all of our customers.

**Compact footprint:** Although equipped with many enterprise-class features, the CX725 Series' compact footprint makes it ideal for distributed environments, branch locations or anywhere space is limited.



## Environmental features

**Advanced toner:** Lexmark's exclusive Unison Toner makes energy savings a reality, using less energy than Lexmark's previous toners by printing at a lower temperature. And through LCCP, the Lexmark Cartridge Collection Program, Lexmark offers a free and easy way for you to return empty cartridges for sustainable recycling or remanufacturing.

**Power saving modes:** Sleep mode power usage of less than 3 watts saves money and energy between print jobs. When the device is not in use, it goes to sleep and wakes for incoming print jobs. In addition, it can be powered on or off from its control panel or a user-defined schedule.

**Paper and toner savings:** Standard duplex printing prints on both sides by default. Plus, the unique ColorSaver feature prints images at a lighter shade by default, while leaving text dark and readable, saving toner and money.

**Recycled paper compatibility:** To ensure that you can minimize the impact of the paper you use the Lexmark CX725 Series has been fully tested with a range of recycled papers, up to 100% recycled.

**Post-consumer recycled content:** The CX725 Series makes a measurable impact on raw material consumption by containing up to 50% post-consumer recycled plastic content.

**Environmental certifications:** Lexmark products meet globally recognized environmental standards<sup>†</sup>:

- ▶ ENERGY STAR<sup>®</sup>
- ▶ Blue Angel
- ▶ EPEAT<sup>®</sup> Gold

---

## Lexmark Sustainability

For Lexmark, commitment to the environment isn't a marketing tagline, it's a core value backed up by real action and results. We are forward thinking, innovative, and driven to sustain a healthy planet for generations to come. For our customers and partners we bring this passion, our leading technology and a deep understanding of industry-specific business processes to continuously improve their efficiency as well as our own.

For more information on Lexmark's sustainability initiatives, visit [csr.lexmark.com](http://csr.lexmark.com)

<sup>†</sup>ENERGY STAR V2.0 for Imaging Equipment (EU RoHS and Section 4.3.1.1 of IEEE 1680.2-2. Available Summer 2016.

---

## Smart MFP ecosystem

Bridge paper and digital—unstructured and structured—information with devices and connections that drive your business forward.

In an ecosystem, things work in concert to ensure efficient processes. In the business environment, people, technology and information also form an ecosystem, where information exists in both structured and unstructured forms. And the center of this ecosystem is the smart MFP, the connection point between digital and printed information.

The Lexmark smart MFP ecosystem brings together the hardware, software, tools and services to help drive your business forward.

**1. Intuitive color touch screen with next-generation e-Task interface**

The large 7-in. color touch screen features an ultra-smooth surface and can be activated by almost anything, including pens, fingertips or nails—without pressure or direct skin contact. The modern interface is familiar to users, minimizing the need for training.

**2. Expandable input**

Add trays to print on multiple paper types and boost maximum input capacity to 2300 sheets.

**3. Universal input trays**

Easily adjustable universal input trays let you load envelopes or media as small as A6 (4.1 x 5.8 inches).

**4. Direct printing**

Print Microsoft Office files and other document and image types from flash drives, or select and print documents from network servers or online drives.

**5. Compact footprint**

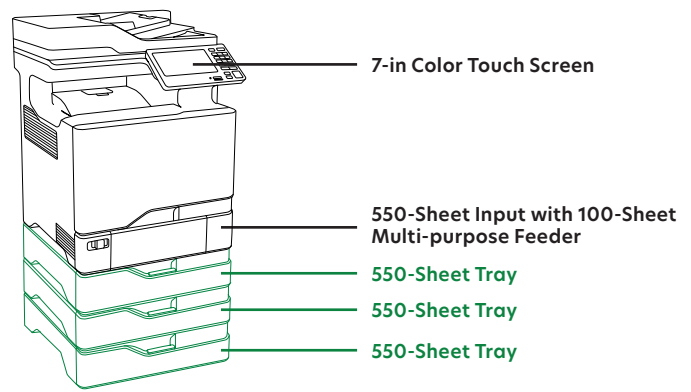
Ideal for distributed environments, branch locations or wherever space is limited.

**6. Unison Toner print system with long-life supplies**

Unison Toner delivers consistently outstanding image quality plus long-life system reliability and amazing sustainability in a no-shake design. High Yield toner cartridges produce up to 25,000 black and up to 16,000 color pages.



## Lexmark CX725 Series features



Standard  
 Optional

Product specifications	Lexmark CX725de	Lexmark CX725dhe	Lexmark CX725dthe
<b>Printing</b>			
Display	Lexmark e-Task 7-inch (17.8 cm) color touch screen		
Print Speed: Up to <sup>6</sup>	Black: 50 ppm / Color: 50 ppm		
Time to First Page: As fast as	Black: 5.0 seconds / Color: 5.5 seconds		
Print Resolution	Black: 1200 x 1200 dpi, 4800 Color Quality (2400 x 600 dpi) / Color: 1200 x 1200 dpi, 4800 Color Quality (2400 x 600 dpi)		
Memory	Standard: 2048 MB / Maximum: 4096 MB		
Hard Disk	Option available	Included in configuration	
Recommended Monthly Page Volume <sup>2</sup>	2000 - 20000 pages		
Maximum Monthly Duty Cycle: Up to <sup>3</sup>	150000 pages per month		
<b>Copying</b>			
Copy Speed: Up to <sup>4</sup>	Black: 50 cpm / Color: 50 cpm		
Time to First Copy: As fast as	Black: 6.5 seconds / Color: 7.0 seconds		
<b>Scanning</b>			
Scanner Type / ADF Scan	Flatbed scanner with ADF / RADF (Reversing Duplex)		
A4/Ltr Duplex Scan Speed: Up to	Black: 26 / 28 sides per minute / Color: 26 / 28 sides per minute		
A4/Ltr Simplex Scan Speed: Up to	Black: 56 / 60 sides per minute / Color: 56 / 60 sides per minute		
ADF Paper Input Capacity: Up to	50 pages 20 lb or 75 gsm bond		
<b>Faxing</b>			
Modem Speed	ITU T.30, V.34 Half-Duplex, 33.6 Kbps		
<b>Supplies<sup>7</sup></b>			
Laser Cartridge Yields (up to) <sup>1</sup>	3,000-page Black and Color (CMYK) Cartridges, 7,000-page Black and Color (CMYK) Cartridges, 25,000-page Black High Yield Cartridge, 16,000-page Color (CMY) High Yield Cartridges		
Imaging Unit Estimated Yield: Up to	150000 pages, based on 3 average letter/A4-size pages per print job and ~ 5% coverage		
Cartridge(s) Shipping with Product <sup>1</sup>	7,000-page Black and Color (CMYK) Return Program Toner Cartridges		
<b>Paper Handling</b>			
Included Paper Handling	550-Sheet Input, 100-Sheet Multipurpose Feeder, Integrated Duplex, 300-Sheet Output Bin	550-Sheet Input, 100-Sheet Multipurpose Feeder, Integrated Duplex, 550-Sheet Tray, 300-Sheet Output Bin	
Optional Paper Handling	550-Sheet Tray		
Paper Input Capacity: Up to	Standard: 650 pages 20 lb or 75 gsm bond / Maximum: 2300 pages 20 lb or 75 gsm bond	Standard: 1200 pages 20 lb or 75 gsm bond / Maximum: 2300 pages 20 lb or 75 gsm bond	
Paper Output Capacity: Up to	Standard: 300 pages 20 lb or 75 gsm bond / Maximum: 300 pages 20 lb or 75 gsm bond		
Media Types Supported	Card Stock, Envelopes, Paper Labels, Plain Paper, Vinyl Labels, Banner Paper, Refer to the Paper & Specialty Media Guide		
Media Sizes Supported	10 Envelope, 7 3/4 Envelope, 9 Envelope, A4, A5, B5 Envelope, C5 Envelope, DL Envelope, Executive, Folio, JIS-B5, Legal, Letter, Statement, Universal, Oficio, A6		
<b>General Information<sup>4</sup></b>			
Standard Ports	One Internal Card Slot, USB 2.0 Specification Hi-Speed Certified (Type B), Gigabit Ethernet (10/100/1000), Front USB 2.0 Specification Hi-Speed Certified port (Type A), Rear Hi-Speed USB Port Compatible with USB 2.0 Specification (Type A)		
Optional Network Ports	Internal MarkNet N8360 802.11b/g/n Wireless, NFC		
Noise Level: Operating	Print: 53 dBA / Copy: 56 dBA / Scan: 53 dBA		
Specified Operating Environment	Humidity: 8 to 80% Relative Humidity, Temperature: 10 to 32°C (50 to 90°F), Altitude: 0 - 2896 Meters (9,500 Feet)		
Limited Warranty - See Statement of Limited Warranty	1-Year Onsite Service, Next Business Day		
Size (in. - H x W x D) / Weight (lb.)	25.5 x 19.9 x 21 in. / 99 lb.		30.2 x 19.9 x 21 in. / 114 lb.

**This is a Class A device according to international electromagnetic emissions standards (i.e., FCC Rules, EN 55022/EN 55032, etc.). Class A products are intended for use in non-residential/non-domestic environments. Use of a Class A product in residential/domestic environments may cause interference to radio communications and require corrective measures.**

<sup>1</sup>Average continuous black or continuous composite CMY declared cartridge yield up to this number of standard pages in accordance with ISO/IEC 19798. <sup>2</sup>Recommended Monthly Page Volume<sup>2</sup> is a range of pages that helps customers evaluate Lexmark's product offerings based on the average number of pages customers plan to print on the device each month. Lexmark recommends that the number of pages per month be within the stated range for optimum device performance, based on factors including: supplies replacement intervals, paper loading intervals, speed, and typical customer usage. <sup>3</sup>Maximum Monthly Duty Cycle<sup>3</sup> is defined as the maximum number of pages a device could deliver in a month using a multishift operation. This metric provides a comparison of robustness in relation to other Lexmark printers and MFPs. <sup>4</sup>Printers are sold subject to certain license/agreement conditions. See [www.lexmark.com/printerlicense](http://www.lexmark.com/printerlicense) for details. <sup>5</sup>Actual Yield may vary based on other factors such as device speed, paper size and feed orientation, toner coverage, tray source, percentage of black-only printing and average print job complexity. <sup>6</sup>Print and copy speeds measured in accordance with ISO/IEC 24734 and ISO/IEC 24735 respectively (ESAT). For more information see: [www.lexmark.com/ISOspeeds](http://www.lexmark.com/ISOspeeds). <sup>7</sup>Product functions only with replacement cartridges designed for use in a specific geographical region. See [www.lexmark.com/regions](http://www.lexmark.com/regions) for more details.

© 2019 Lexmark and the Lexmark logo are trademarks of Lexmark International, Inc., registered in the United States and/or other countries. All other trademarks are the property of their respective owners.

Unison™ is a U.S. registered trademark.

AirPrint and the AirPrint logo are trademarks of Apple Inc.

ENERGY STAR® is a U.S. registered mark.

EPEAT® is a trademark of EPEAT, Inc. in the United States and other countries.

Google Cloud Print™ is a trademark of Google Inc.

Mopria®, the Mopria® Logo and the Mopria® Alliance logo are registered trademarks and service marks of Mopria Alliance, Inc. in the United States and other countries. Unauthorized use is strictly prohibited.

Notice: "This product includes software developed by the OpenSSL Project for use in the OpenSSL Toolkit (<http://www.openssl.org/>)."



[lexmark.com](http://lexmark.com)

