



MS510dn

Lexmark MS510 Series

More speed. Better results.

The Lexmark MS510 Series provides enterprise-worthy speed, reliability and convenience. Improve productivity and save time with fast print speeds up to 42 pages per minute.



Up to
42 ppm



Network



Wireless
(optional)



Security

Look professional. Work smart.

With our exceptional laser printers, it's easy to make a great impression on customers. Our system is simple to use, too, thanks to the easy-to-read control panel, eco-friendly supplies and more.

Fast set up: Instructions are easy. You'll be up and running in minutes.

High resolution graphics: With up to true 1200x1200 dpi resolution, images and graphics stay crisp. Lexmark's Unison™ Toner ensures consistent quality, too.

Control panel with number pad: Stay informed on your jobs with our easy-to read 6 cm colour LCD display.

Innovative toner that optimises performance: Get greater system performance with Lexmark's Unison™ Toner, which delivers consistent image quality from first print to last.

Big on productivity. Compact in design.

Designed to handle busy offices, our systems quickly produce high quality, professional prints in a space-saving design.

Print complex documents fast: Print documents containing graphics and images effortlessly with up to 1.2 GB of upgradable memory and a powerful 800 MHz dual-core processor.

Reliable performance: Busy workgroups can easily print up to 14,000 pages per month, plus enjoy fewer maintenance hassles, thanks to our state-of-the-art paper handling.

Run jobs without interruption: With an input capacity of up to 2,000 sheets plus ultra high yield toner cartridge options, you won't have to add paper or change cartridges as often.

Get work done quickly: Experience less wait time with print speeds up to 42 pages per minute—plus get your first page in as little as 6.5 seconds.

Get more work done effortlessly.

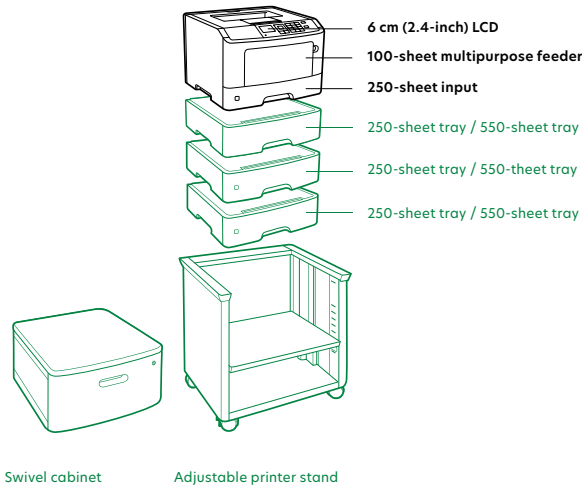
Quickly respond to changing business needs with our eco-friendly printers that help streamline your workflow using productivity solutions.

Help workers do more: With standard Gigabit Ethernet networking, our system can print jobs from the network faster, so your teams stay productive.

Enjoy enterprise-level security: Now you can authenticate, authorise and audit employee usage—plus protect sensitive data using standard network security protocols.

Save resources and the planet: An instant warm-up fuser, built-in two-sided printing, an ultra high yield toner option, plus Quiet, Hibernate and Eco modes minimise noise and save paper and energy.

Print anytime and anywhere*: With this system, you can print from desktops as well as mobile devices that can run applications.



■ Standard
 ■ Optional

Product specifications	Lexmark MS510dn
Print	
Display	6 cm (2.4 inch) colour LCD display
Print Speed: Up to ³	Black: 42 ppm
Time to First Page: As fast as	Black: 6.5 seconds
Print Resolution	Black: 1200 Image Quality, 1200 x 1200 dpi, 2400 Image Quality, 600 x 600 dpi
Memory / Processor	Standard: 256 MB / Maximum: 1280 MB / Dual Core, 800 MHz
Hard Disk	Not Available
Recommended Monthly Page Volume ²	1500 - 14000 pages
Maximum Monthly Duty Cycle: Up to ³	120000 pages per month
Supplies⁶	
Laser Cartridge Yields (up to) ¹	1,500-page Cartridge, 5,000-page Black High Yield Cartridge, 10,000-page Extra High Yield Cartridge, 20,000-page Ultra High Yield Cartridge
Imaging Unit Estimated Yield: Up to	60000 pages, based on 3 average letter/A4-size pages per print job and ~ 5% coverage
Cartridge(s) Shipping with Product ¹	6,000-page Starter Return Program Toner Cartridge
Paper Handling	
Included Paper Handling	250-Sheet Input, 100-Sheet Multipurpose Feeder, 150-Sheet Output Bin, Integrated Duplex
Optional Paper Handling	250-Sheet Tray, 550-Sheet Tray, 550-Sheet Lockable Tray
Paper Input Capacity: Up to	Standard: 350 pages 75 gsm bond / Maximum: 2000 pages 75 gsm bond
Paper Output Capacity: Up to	Standard: 150 pages 75 gsm bond / Maximum: 150 pages 75 gsm bond
Media Types Supported	Card Stock, Envelopes, Paper Labels, Plain Paper, Transparencies, Refer to the Card Stock & Label Guide.
Media Sizes Supported	10 Envelope, 7 3/4 Envelope, 9 Envelope, A4, A5, DL Envelope, Executive, Folio, JIS-B5, Legal, Letter, Statement, Universal, Oficio, A6
General Information⁴	
Standard Connectivity	USB 2.0 Specification Hi-Speed Certified (Type B), Gigabit Ethernet (10/100/1000)
Optional Network Ports	MarkNet N8352 802.11b/g/n Wireless
Noise Level: Operating	Print: 55 dBA
Specified Operating Environment	Temperature: 16 to 32°C, Humidity: 8 to 80% Relative Humidity, Altitude: 0 - 2896 Meters (9,500 Feet)
Product Guarantee	1-Year Return-to-Base Service
Size (mm - H x W x D) / Weight	263 x 399 x 382 mm / 15.0 kg

¹Average standard page yield value declared in accordance with ISO/IEC 19752. ²"Recommended Monthly Page Volume" is a range of pages that helps customers evaluate Lexmark's product offerings based on the average number of pages customers plan to print on the device each month. Lexmark recommends that the number of pages per month be within the stated range for optimum device performance, based on factors including: supplies replacement intervals, paper loading intervals, speed, and typical customer usage. ³Maximum Monthly Duty Cycle" is defined as the maximum number of pages a device could deliver in a month using a multishift operation. This metric provides a comparison of robustness in relation to other Lexmark printers and MFPs. ⁴Printers are sold subject to certain license/agreement conditions. See www.lexmark.com/printerlicense for details. ⁵Print and copy speeds measured in accordance with ISO/IEC 24734 and ISO/IEC 24735 respectively (ESAT). For more information see: www.lexmark.com/ISOspeeds. ⁶Product functions only with replacement cartridges designed for use in a specific geographical region. See www.lexmark.com/regions for more details.