

Memory Module Specifications

KSM48E40BS8KI-16HA

16GB 1Rx8 2G x 72-Bit

PC5-4800 CL40 288-Pin DIMM

DESCRIPTION

Kingston's KSM48E40BS8KI-16HA is a 2G x 72-bit (16GB) DDR5-4800 CL40 SDRAM (Synchronous DRAM), 1Rx8, ECC, memory module, based on ten 2G x 8-bit FBGA components. The SPD is programmed to JEDEC standard latency DDR5-4800 timing of 40-39-39 at 1.1V. Each 288-pin DIMM uses gold contact fingers. The electrical and mechanical specifications are as follows:

FEATURES

- Power Supply: VDD = 1.1V Typical
- VDDQ = 1.1V Typical
- VPP = 1.8V Typical
- VDDSPD = 1.8V to 2.0V
- On-Die ECC
- x72 ECC (x36, 2 independent I/O sub channels)
- 32 internal banks
- Hard/Soft Post Package Repair
- Sideband access with I3C/I2C
- PCB: Height 1.23" (31.25mm)
- RoHS Compliant and Halogen-Free

SPECIFICATIONS

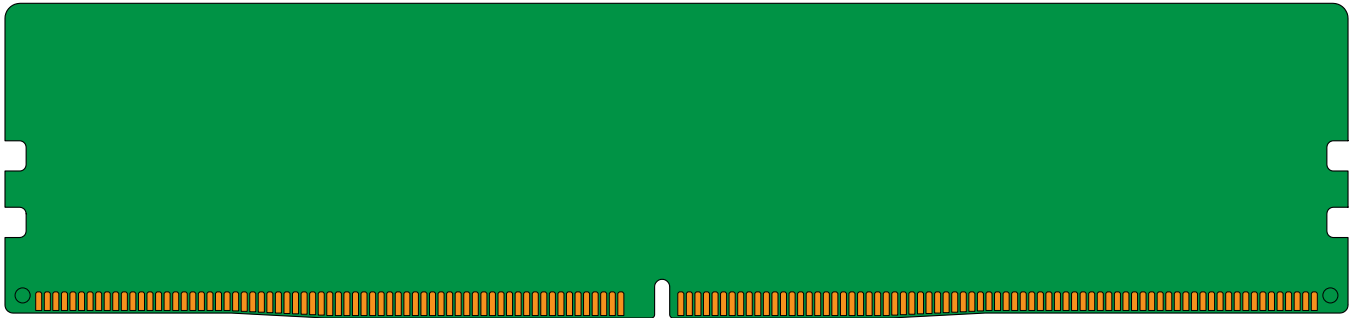
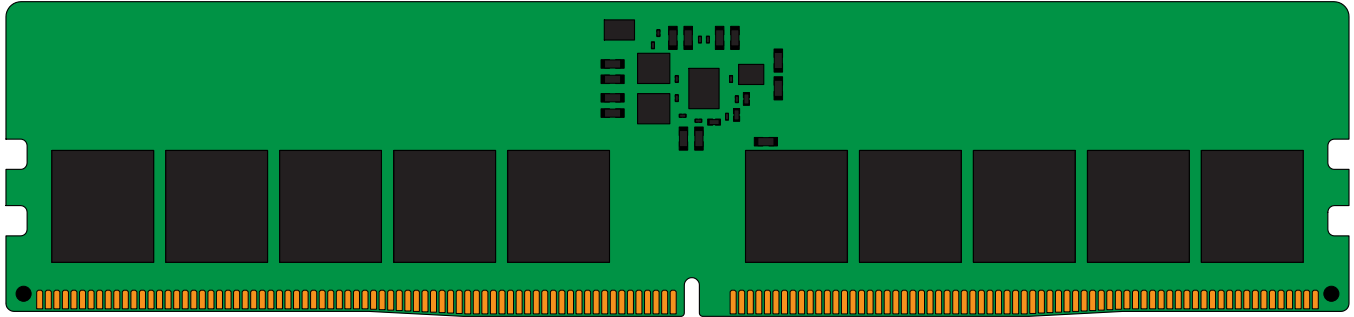
CL(IDD)	40 cycles
Row Cycle Time (tRCmin)	48ns(min.)
Refresh to Active/Refresh Command Time (tRFCmin)	295ns(min.)
Row Active Time (tRASmin)	32ns(min.)
Row Precharge Time (tRPmin)	16ns(min.)
UL Rating	94 V - 0
Operating Temperature	0° C to +95° C
Storage Temperature	-55° C to +100° C

Module Assembly

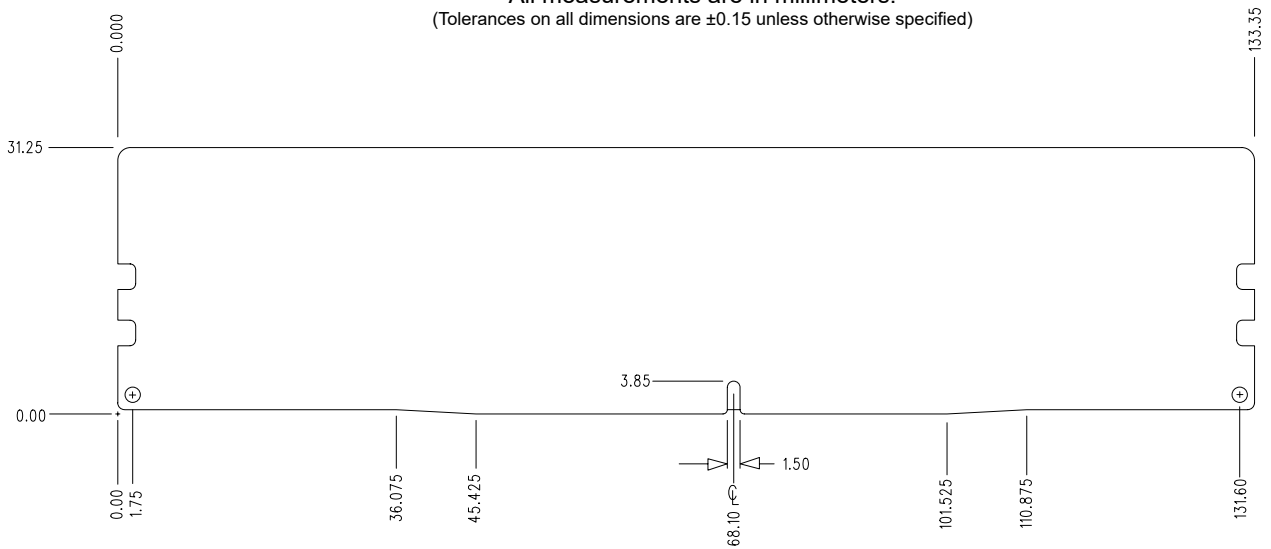
DRAM: HYNIX (A-DIE)

Continued >>

MODULE DIMENSIONS



All measurements are in millimeters.
(Tolerances on all dimensions are ± 0.15 unless otherwise specified)



The product images shown are for illustration purposes only and may not be an exact representation of the product.
Kingston reserves the right to change any information at anytime without notice.

Revision No.	History	Release Date	Remark	Editor	Approved
A	Initial Release	01/10/24		David Y.	Henry N.

*Products and specifications discussed herein are for evaluation and reference purposes only and are subject to change without notice. All information discussed herein is provided on an “as is” basis, without warranties of any kind.