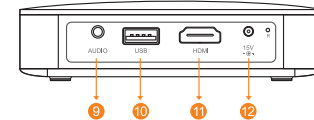
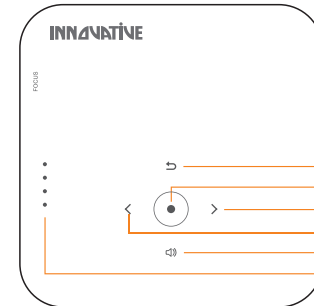
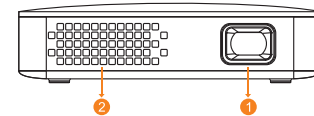


K5x

Wireless

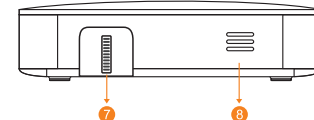
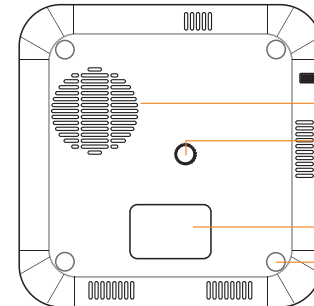
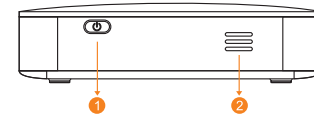
USER MANUAL

LOCATION OF PARTS AND CONTROLS



- 1: Lens
- 2: Air outlet
- 3: Return
- 4: Confirm/Play/Pause
- 5: Right / FF / Volume+
- 6: Left / REW / Volume-
- 7: Volume Switch
- 8: Power indicator
- 9: Audio output(3.5mm)
- 10: USB input/Power out
- 11: HDMI input
- 12: DC input (15V/1.5A)

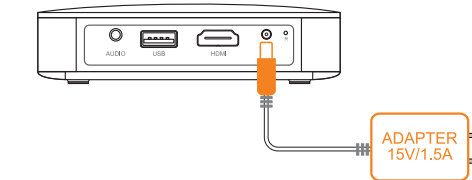
LOCATION OF PARTS AND CONTROLS



- 1: Power
- 2: Speaker
- 3: Air inlet
- 4: Tripod dock
- 5: Rating Label
- 6: Non-slip mat
- 7: Focus wheel
- 8: Speaker

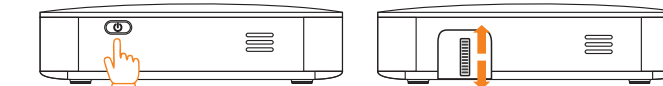
CHARGING

Fully charge the battery before first use(approx. 3 hours)
Connect the Adapter to the projector for charging. the power indicator will show the remaining capacity of battery, Each light represents 25% charge, 1 light indicating low charge, and 4 lights indicating full charge.



POWER BUTTON

Press the switch button 5 seconds both for turn on and turn off.
Short press the button to show the remaining capacity of battery.



FOCUS ADJUSTMENT

Simply roll the focus wheel control up and down to adjust the clarity of the projected image.

VOLUME ADJUSTMENT

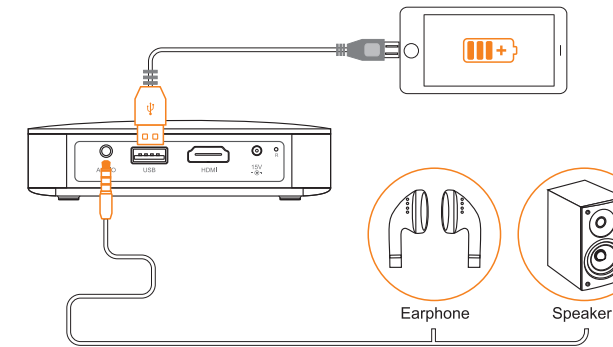
When play the video, touch the '🔊' button, then the screen will display the volume bar. now you can adjust the volume by the button < and >.

POWER OUT

Connect the charging cable of your device to the projector's USB port, and then short press the switch button, now the projector turned into a power bank,it can charge your mobile devices, and the output is 5V/1A.

AUDIO OUT

The projector build in 2 speakers for normal use, but it can output the audio also, Plug the earphone or line-in cable of speaker to the projector's 3.5mm AUDIO OUT port as below image.



WARNING!

THIS PRODUCT CONTAINS A RECHARGEABLE BATTERY.

- 1, Do not store this product in high temperatures, damp areas, or in direct sunlight.
- 2, Never disassemble the product.
- 3, Never dispose of the product in fire or water, which may result in explosion and/or injury.
- 4, Keep product out of reach of children.
- 5, Do not touch product with damp hands.
- 6, Dispose of the product properly.
- 7, The product must not be discarded with ordinary household waste.
- 8, Contact your local recycling center for proper disposal.

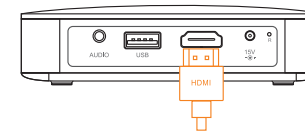
DANGER!

TO REDUCE THE RISK OF ELECTRIC SHOCK, BURNS, FIRE OR INJURY:

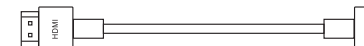
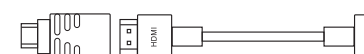
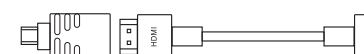
- 1, Do not use while bathing or in a shower.
- 2, Do not place or store unit where it can fall or be pulled into a tub or sink.
- 3, Do not place in, drop or submerge in water or other liquid.
- 4, Do not reach for unit that has fallen into water. Unplug it immediately.
- 5, Care should be taken so that objects do not fall and liquids aren't spilled onto the unit.


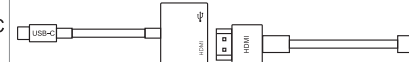
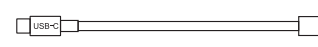
HDMI input

The projector can be connected to a variety of HDMI compatible devices via a wired connection, such as laptop, smartphone, tablets, PSP, etc. Please note the HDMI signal takes precedence over the USB drive inputs.



NOTE: Some devices may require an adapter to connect to your device. To determine what type of adapter you need to use, please reference the compatibility section of this manual. (For example, iPhone or iPad need a Lightning to HDMI AV adapter as below.)

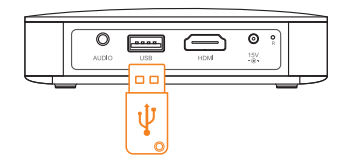
1	Devices with HDMI port	 ★ HDMI to HDMI cable
2	Devices with mini HDMI port	 ★ Mini HDMI to HDMI adapter ★ HDMI to HDMI cable
3	Devices with micro HDMI port	 ★ Micro HDMI to HDMI adapter ★ HDMI to HDMI cable

4	iOS devices with lightning port	 ★ Lightning digital AV adapter ★ HDMI to HDMI cable
5	Devices with USB-C (USB type C) port	 ★ USB-C to HDMI adapter ★ HDMI to HDMI cable
6	Devices with USB-C (USB type C) port	 ★ USB type C to HDMI cable

The products don't include any HDMI adapter

USB DRIVE INPUT

Insert the USB drive to the USB port, then the projector can read the video or photo files directly.



Video Controls:

Before control, activate the control panel by touching the confirm button.

1. Pause: tap the confirm button.
2. Fast forward: touch the > button. Each will increase the speed by x2, x4, x8, x16.
3. Rewind: touch the < button. Each will increase the speed by x2, x4, x8, x16.
4. Exit: tap the ↩ button to return to the video file list. Tap this button again to return to the main menu.

Volume control:

tap the 🔊 button. Then use the > and < buttons to increase or decrease the volume.



Photo Controls

When playing a photo file, the projector will automatically enter SlideShow mode. While in this mode, each photo in the file list will automatically play in order.

Before control, activate the control panel by touching the confirm button.

1. Pause SlideShow: touch the confirm button.
2. Resume SlideShow: touch the confirm button.
3. Play next image: touch the > button.
4. Play previous image: tap the < button.

WIRELESS CONNECTIVITY

The projector can be connected to some smart phones and tablets by wireless connection, include iOS, Android and Windows 10 devices. Please enter wireless interface before connection.

iOS Device

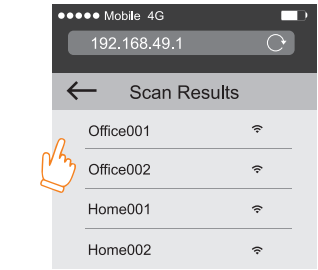
Connect as below:

- Step1. Set on your iOS device, connect wifi to the projector, named PRO-XXXXXX. the password is 12345678.
- Step2. Slide up iOS control center and activate the screen mirroring
- Step3. Choose the projector in the device list.



If you want your iOS device connecting to the internet via WIFI router when screen mirroring, you have to set the projector to connect WIFI router firstly.

After Step1, please log on the link <http://192.168.49.1> in the browser for setting.



After connection succeeded, the right side of projecting screen will display the router icon and router name. then your iOS device need connect to the same WIFI router, after that, you can continue step2 and step3.

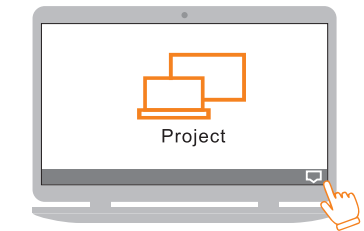
When the projector connected to the wifi router, you have to log on another link for following setting, include changing wifi router or disconnecting wifi router. the new link will show on the projecting screen.

Android Device

Be sure your android device support Miracast function, some device named smart view, screen sharing, multi screen or something. you can activate it in the quick menu, and then looking for and choose the projector, which named PRO-XXXXXX. it will be ready after a moment.

Win10 device

Be sure your Win10 device support wireless connection. Open the operation center in the right corner and choose project.



then you can find 'Connect to wireless display, tap it, the Win10 device will search the display devices automatically, then projector will show in the device list, please connect to the projector(named PRO-XXXXXX).