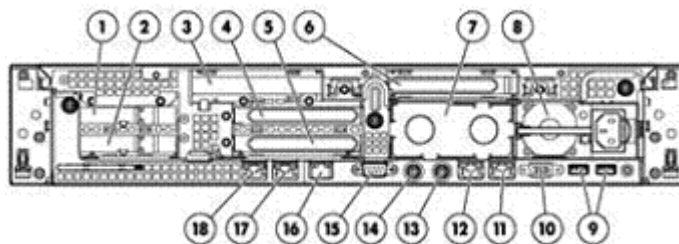
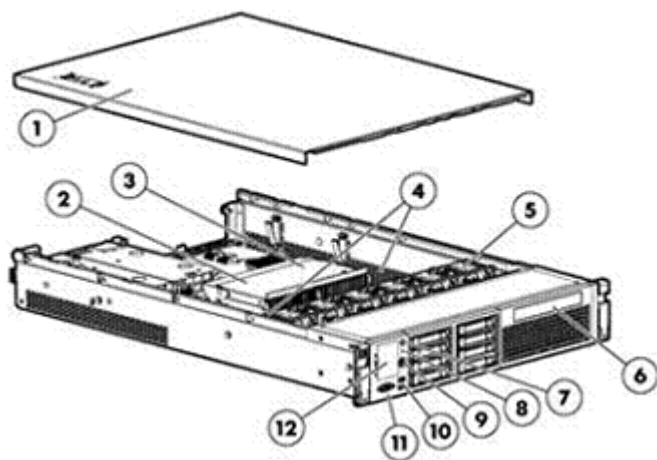


Overview

The HP ProLiant DL380 G6 Server continues to deliver on its heritage of engineering excellence with increased flexibility and performance, enterprise-class uptime and manageability, 2-socket Intel Xeon performance, and 2U density for a variety of applications.



Front View:

1. Quick removal access panel
2. Intel Quad-Core Processor (Performance models include two processors)
3. Second Intel Quad-Core Processor
4. Eighteen slots: DDR3 Registered (RDIMM) or Unbuffered (UDIMM) memory
5. Hot-plug fans, full N+1 redundancy
6. Slim Optical Bay (SATA DVD-RW Optical Drive included on Performance models)
7. UID LED button
8. Health LED
9. Power On/Standby button and system power LED
10. USB connectors (2)
11. Video connector
12. Systems Insight Display

Rear View:

1. PCI slot 5
2. PCI slot 6
3. PCI slot 4
4. PCI slot 2
5. PCI slot 3
6. PCI slot 1
7. Power supply 2
8. Power supply 1
9. USB connectors (2)
10. Video connector
11. NIC 1 connector
12. NIC 2 connector
13. Mouse connector
14. Keyboard connector
15. Serial connector
16. iLO 2 connector
17. NIC 3 connector
18. NIC 4 connector

What's New

- The DL380 G6 will now offer the Intel 5600 Series 6 Core capable processors
 - X5670 2.93GHz 6C 95w
 - X5660 2.80GHz 6C 95w
 - X5650 2.66GHz 6C 95w

Standard Features

NOTE: For the Standard Features shipped in the "Factory Integrated Models", please see the "Configuration Information - Factory Integrated Models" section.

Processor

One of the following depending on Model

Six-Core Processors

Intel® Xeon® Processor X5670 (2.93 GHz, 12MB L3 Cache, 95W, DDR3-1333, HT, Turbo 2/2/3/3)

Intel® Xeon® Processor X5660 (2.80 GHz, 12MB L3 Cache, 95W, DDR3-1333, HT, Turbo 2/2/3/3)

Intel® Xeon® Processor X5650 (2.66 GHz, 12MB L3 Cache, 95W, DDR3-1333, HT, Turbo 2/2/3/3)

Quad-Core Processors

Intel® Xeon® Processor X5570 (2.93 GHz, 8MB L3 Cache, 95W, DDR3-1333, HT, Turbo 2/2/3/3)

Intel® Xeon® Processor X5560 (2.80 GHz, 8MB L3 Cache, 95W, DDR3-1333, HT, Turbo 2/2/3/3)

Intel® Xeon® Processor X5550 (2.66 GHz, 8MB L3 Cache, 95W, DDR3-1333, HT, Turbo 2/2/3/3)

Intel® Xeon® Processor E5540 (2.53 GHz, 8MB L3 Cache, 80W, DDR3-1066, HT, Turbo 1/1/2/2)

Intel® Xeon® Processor L5530 (2.40 GHz, 8MB L3 Cache, 60W, DDR3-1066, HT, Turbo 1/1/2/2)

Intel® Xeon® Processor E5530 (2.40 GHz, 8MB L3 Cache, 80W, DDR3-1066, HT, Turbo 1/1/2/2)

Intel® Xeon® Processor E5520 (2.26 GHz, 8MB L3 Cache, 80W, DDR3-1066, HT, Turbo 1/1/2/2)

Intel® Xeon® Processor E5506 (2.13 GHz, 4MB L3 Cache, 80W, DDR3-800)

Intel® Xeon® Processor E5504 (2.00 GHz, 4MB L3 Cache, 80W, DDR3-800)

Intel® Xeon® Processor L5520 (2.26 GHz, 8MB L3 Cache, 60W, DDR3-1066, HT, Turbo 1/1/2/2)

Intel® Xeon® Processor L5506 (2.13 GHz, 4MB L3 Cache, 60W, DDR3-800)

Dual-Core Processors

Intel® Xeon® Processor E5502 (1.86 GHz, 4MB L3 Cache, 80W, DDR3-800)

NOTE: HT indicates that the processor model supports Intel® Hyper-Threading Technology.

NOTE: Turbo indicates the maximum potential frequency increment when using Intel® Turbo Boost Technology, with 4, 3, 2, and 1 cores active.

NOTE: DDR3 speed is the maximum memory speed of the processor. Actual memory speed may depend on the quantity and type of DIMMs installed.

NOTE: For the Intel 5500, and 5600 Series, the letter preceding the model number indicates the performance/wattage of the processor. "X" denotes High Performance/Wattage; "E" denotes Enterprise Performance/Wattage (Mainstream); and "L" denotes Lower Wattage.

NOTE: Up to 2 processors supported. Performance configurations include two processors. Mixing different processor models is not supported.

Cache Memory

One of the following depending on Model

12MB (1x12MB) Level 3 cache on the 5600 sequence

8MB (1 x 8MB) Level 3 cache on the 5500 sequence

NOTE: All 5500 sequence processor models have 8M L3 Cache except for those identified below.

4MB (1 x 4MB) Level 3 cache

NOTE: For processors E5506/L5506/E5504/E5502.

Chipset

Intel® 5520 Chipset

NOTE: For more information regarding Intel chipsets, please see the following URL:

<http://www.intel.com/products/server/chipsets/>.



Standard Features

Upgradeability Upgradeable to 2 processors (12 cores)

Memory Protection Advanced ECC (multi-bit error protection)
Mirroring mode
Lockstep mode

Memory

Type	DDR3 Registered (RDIMM) and Unbuffered (UDIMM)
Standard (Performance Models)	12GB (6 x 2GB) PC3-10600R (DDR3-1333) Registered DIMMs
Standard (Base Models)	6GB (3 x 2GB) PC3-10600R (DDR3-1333) Registered DIMMs
Standard (Entry Models)	4GB (2 x 2GB) PC3-10600R (DDR3-1333) Registered DIMMs
Standard (High Efficiency Models)	4GB (2 x 2GB) PC3-10600E (DDR3-1333) Unbuffered DIMMs
Maximum (RDIMM)	192GB (12 x 16GB) for Registered Memory configurations
Maximum (UDIMM)	48GB (12 x 4GB) for Unbuffered Memory configurations

NOTE: If only one processor is installed, only half the DIMM slots are available

NOTE: when populating with the 16GB Memory Kits (Quad-Rank), only 12 DIMMs can be populated.

NOTE: Two DIMMs Per Channel at 1333MHz supported with ROM update via ROM Based Setup Utility (RBSU) for 1333MHz RDIMMs. UDIMM support is only on 12-slot servers.

NOTE: Depending on the memory configuration and processor model, the memory speed may run at 1333MHz, 1066MHz, or 800MHz. Please see the Online Memory Configuration Tool at:

www.hp.com/go/ddr3memory-configurator.

Network Controller Two HP NC382i Dual Port Multifunction Gigabit Server Adapters (four ports total) with TCP/IP Offload Engine, including support for Accelerated iSCSI

Expansion Slots

NOTE: The system board has 2 PCI connectors, but the below riser cards have the actual PCI slots, to which PCI cards attach. Six available PCI-Express Gen2 slots, optional mixed PCI-X / PCI-Express or x16 PCI configurations available (see "Standard Features - Expansion Slots" section for more details).

Primary Riser (Standard)	Expansion Slots #	Technology	Bus Width**	Connector Width	Bus Number*	Form Factor	Notes
	1	PCIe Gen2	X8	X16	7	Full Length, Full Height Slot	
	2	PCIe Gen2	X4	X8	10	Half Length, Full Height Slot	
	3	PCIe Gen2	X4	X8	13	Half Length, Full Height Slot	

* Default bus assignment (in decimal). Inserting cards with PCI bridges may alter the actual bus assignment number

** Indicates the number of physical electrical lanes running to the connector.



Standard Features

PCIe Riser (Optional Secondary)	Expansion Slots #	Technology	Bus Width**	Connector Width	Bus Number*	Form Factor	Notes
	4	PCIe Gen2	X8	X16	16	Full length, full height slot	
	5	PCIe Gen2	X4	X8	20	Half length, half height slot	
	6	PCIe Gen2	X4	X8	23	Half length, half height slot	

* Default bus assignment (in decimal). Inserting cards with PCI bridges may alter the actual bus assignment number

** Indicates the number of physical electrical lanes running to the connector.

PCIe/PCI-X Riser (Optional Primary)	Expansion Slots #	Technology	Bus Width**	Connector Width	Bus Number*	Form Factor	Notes
	1	PCI-X (133MHz)	64-bit	N/A	7	Full length, Full Height	
	2	PCI-E Gen2	X8	X16	11	Half Length, Full Height	
	3	PCI-E Gen2	X4	X8	15	Half Length, Full Height	

* Default bus assignment (in decimal). Inserting cards with PCI bridges may alter the actual bus assignment number

** Indicates the number of physical electrical lanes running to the connector.

NOTE: PCI-X support is limited to PCI-X cards only.

PCIe/PCI-X Riser (Optional Secondary)	Expansion Slots #	Technology	Bus Width**	Connector Width	Bus Number*	Form Factor	Notes
	4	PCI-X (133MHz)	64-bit	Not applicable	19	Full length, Full height slot	
	5	PCI-E Gen2	X8	X16	23	Half Length, Half Height	
	6	PCI-E Gen2	X4	X8	27	Half Length, Half Height	

* Default bus assignment (in decimal). Inserting cards with PCI bridges may alter the actual bus assignment number

** Indicates the number of physical electrical lanes running to the connector.

NOTE: PCI-X support is limited to PCI-X cards only.

x16 PCIe Riser (Optional Primary)	Expansion Slots #	Technology	Bus Width**	Connector Width	Bus Number*	Form Factor	Notes
	1	PCIe Gen2	x16	x16	13	Full Length, Full Height slot	Supports up to 150W; single wide cards only



Standard Features

* Default bus assignment (in decimal). Inserting cards with PCI bridges may alter the actual bus assignment number

** Indicates the number of physical electrical lanes running to the connector.

x16 PCIe Riser (Optional Secondary)	Expansion Slots #	Technology	Bus Width**	Connector Width	Bus Number*	Form Factor	Notes
	4	PCIe Gen2	x16	x16	16	Full Length, Full Height slot	Supports up to 150W; single wide cards only

* Default bus assignment (in decimal). Inserting cards with PCI bridges may alter the actual bus assignment number

** Indicates the number of physical electrical lanes running to the connector.

Storage Controller One of the following depending on Model	Entry Models	HP Smart Array P410i/Zero Memory Controller (RAID 0/1/1+0)
	Base Models	HP Smart Array P410i/256 MB Controller (RAID 0/1/1+0/5/5+0)
	Performance Models	HP Smart Array P410i/512 MB BBWC Controller (RAID 0/1/1+0/5/5+0)
	High Efficiency Models	HP Smart Array P410i/Zero Memory Controller (RAID 0/1/1+0)
Available upgrades: 256MB, 512MB with BBWC, 512MB with FBWC, 512MB, 1G with FBWC, Battery kit upgrade (for the 256MB cache), and Smart Array Advanced Pack (SAAP)		

Internal Storage Devices	Diskette Drive	None Standard
	Optical Drive One of the following depending on Model	None Standard on Entry, High Efficiency, and Base Models NOTE: No support on LFF HD Models, or when the 2nd SFF drive cage is added (optional drive cage has 8 SFF bays). HP Slim SATA DVD RW Optical Drive Standard on Performance Models NOTE: HP 64GB SSD Optical Drive Option Kit available. See options sections below contact HP for details. NOTE: The Optical Drive option is not available when you upgrade with the additional 8 SFF drive cage, or in the LFF Models.
	Hard Drives	None Standard
	Hard Drive Bays	Standard (8) small form factor (SFF) hot-plug drive bays to support Serial-attached SCSI (SAS) and Serial ATA (SATA) drives Optional second drive cage for additional (8) SFF drive bays (total 16) Optional cage for (6) Large Form Factor SAS/SATA hard drive bays

Maximum Internal Storage	Hot Plug SFF SAS	9.6TB	16 x 600GB (with optional SFF drive cage)
	Hot Plug LFF SAS	12.0TB	6 x 2TB (with optional LFF drive cage)



Standard Features

Interfaces	Serial	1
	Video	2 (1 front, 1 back)
	Network RJ-45	4
	iLO remote management port	1
	Keyboard	1
	Pointing Device (Mouse)	1
	Graphics	1
	SD slot	1
	USB 2.0 Ports	5 total: 2 front, 2 back, 1 internal

NOTE: Please see the following URL for additional information regarding USB support:
<http://h18004.www1.hp.com/products/servers/platforms/usb-support.html>.

Industry Standard Compliance	ACPI 2.0 Compliant PCI 2.2 Compliant WOL Support Microsoft® Logo certifications USB 2.0 Support
------------------------------	---

Server Power Cords	High voltage power cord ships standard with all part numbers. NOTE: HP ProLiant DL servers no longer ship standard with a 12-foot NEMA 5-15P to C13 power cords (227099-001) that allow connection to 110V US wall outlets in a home or office. ProLiant DL servers are primarily connected to PDU's in data center racks so they now ship standard with only a PDU 6-foot C-14 to C13 power cord (142258-001). If a user wishes to power a ProLiant DL server using a 110V receptacle (NEMA-15), the 12-foot NEMA 5-15 to C13 power cord (227099-001) must be ordered separately. Also available: 110 volt 6-Foot NEMA 5-15p to C13 (AF556A).
--------------------	--

Common Slot Power Supplies	HP has a new design for ProLiant power supplies. The Common Slot (CS) Power Supply provides the customer with commonality in power supplies across multiple platforms to save on the cost of spares and allows HP to offer multiple power solutions to fit the customers' needs. Many HP ProLiant Servers come with or are compatible with high-efficiency HP CS Power Supplies. These power supplies are designed to provide high-efficiency power without degrading performance of the ProLiant server. HP CS Power Supplies options for this server have efficiency ratings up to 94%. There are three Right Size power options available, depending on the configuration of your server. To make sure you select the correct power supply to meet your configuration, we suggest that you use the HP Power Advisor to decide the "Right-Size" for your configuration. All HP Common Slot power sources are UL, CE Mark Compliant, Hot Plug and Redundant.
----------------------------	---

It is highly recommended that you use the HP Power Calculator in defining the "Right-Size" power supply for your needs.

NOTE: Mixing of power supplies in the same server is not supported. All power supplies must be of the same type, all HP 460W, all HP750W, all 1200w 94%, all 1200w 90%, or all -48V DC. If non-matched power supplies are inserted you will get errors and operation will fail.

NOTE: The 80 PLUS program is a unique forum that unites electric utilities, the computer industry, and



Standard Features

consumers in an effort to bring energy efficient technology solutions to the marketplace. 80 Plus independently tests power supply efficiency and publicly posts the results on 80Plus.org.

Redundant Power: Optional (1 + 1 or n+n redundant) power supplies can be purchased through power supply option kits (see Power Supplies for part numbers).

System Fans

Fully redundant hot plug fans ship standard (N+1).

NOTE: One processor models include four fans. Two processor models include six fans.

Required Cabling

For required cabling information, refer to the HP Web site at: www.hp.com/servers/dl380.

Operating Systems and Virtualization Software Support for ProLiant Servers

[Microsoft Windows Server](#)
[Microsoft Windows Server Hyper-V](#)
[Red Hat Enterprise Linux \(RHEL\)](#)
[SUSE Linux Enterprise Server \(SLES\)](#)
[Oracle Enterprise Linux \(OEL\)](#)
[Solaris](#)
[NetWare](#)
[VMware](#)
[Citrix XenServer](#)

NOTE: For more information on HP's Certified and Supported ProLiant Servers for OS and Virtualization Software and latest listing of software drivers available for your server, please visit our Support Matrix at: <http://www.hp.com/go/ossupport> and our driver download page www.hp.com/support/DL380G6.

Graphics

Integrated ATI ES1000, 64MB video standard

- 16 bit color: maximum resolution of 1600 x 1200
- 32 bit color: maximum resolution of 1280 x 1024

NOTE: Maximum resolution available via iLO 2 remote console is 1280 x 1024.

Form Factor

Rack (2U); Height 3.38-inch (8.59 cm); Width: 17.25 (44.54 cm); Depth: 27.25 inches (69.98 cm)



Standard Features

HP Insight management software

HP Insight Foundation

Managing the growing number of servers can be complex and expensive for your organization. IT managers need to address changing business needs with tools that meet the challenges of managing today's complex Datacenters.

HP provides management solutions that are designed to simplify a server's installation, configuration and maintenance throughout the entire server lifecycle. This provides the customer with higher levels of operational efficiency and highly reliable systems: www.hp.com/go/foundation.

The foundation pack includes:

- HP SmartStart
- HP Management
- HP ProLiant Firmware Maintenance

SmartStart version supported (minimum): SmartStart 8.20
<http://www.hp.com/servers/smartstart>

NOTE: In an effort to support reducing our environmental impact, the HP ProLiant Essentials Foundation Pack media will be available as a selectable option for this server at time of order of a CTO SKU. This will allow customers to order the number of media kits that best meet their needs and eliminate receiving unnecessary duplicate media.

HP Integrated Lights-Out (iLO)

HP Integrated Lights-Out (iLO) simplifies server setup, health monitoring, power and thermal control, and lights-out remote administration of ProLiant ML, DL, and BL servers. HP iLO functions without additional software and can be accessed from any location via a web browser. HP iLO works hand-in-hand with HP Systems Insight Manager, Insight Control suites, and Insight Dynamics for ProLiant, helping customers unleash the value of the ProLiant platform and deliver the highest possible quality of IT service. For more information, visit: www.hp.com/go/iLO

Security

Power-on password
Keyboard password
Diskette drive control
Diskette boot control
QuickLock, Network Server Mode
Parallel and serial interface control
Administrator's password



Standard Features

Warranty

This product is covered by a global limited warranty and supported by HP Services and a worldwide network of HP Authorized Channel Partners resellers. Hardware diagnostic support and repair is available for three years from date of purchase. Support for software and initial setup is available for 90 days from date of purchase. Enhancements to warranty services are available through HP Care Pack services or customized service agreements. Hard drives have either a one year or three year warranty; refer to the specific hard drive QuickSpecs for details.

NOTE: Server Warranty includes 3-Year Parts, 3-Year Labor, 3-Year Onsite support with next business day response. Warranty repairs may be accomplished through the use of Customer Self Repair (CSR) parts. These parts fall into two categories: 1) Mandatory CSR parts are designed for easy replacement. A travel and labor charge will result when customers decline to replace a Mandatory CSR part; 2) Optional CSR parts are also designed for easy replacement but may involve added complexity. Customers may choose to have HP replace Optional CSR parts at no charge. Additional information regarding worldwide limited warranty and technical support is available at: <http://h18004.www1.hp.com/products/servers/platforms/warranty/index.html>



Optional Features

HP Insight management software

HP Insight Control

HP Insight Control, a product option, delivers essential infrastructure management that can help save time and money by making it easy to deploy, migrate, monitor, remote control, and optimize your IT infrastructure through a single, simple management console.

Two versions of Insight Control are available, to serve environments requiring either a Linux-based or a Windows-based central management server: HP Insight Control for Linux, and HP Insight Control. See www.hp.com/go/insightcontrol

HP Insight Control includes one year of 24 x 7 HP Software Technical Support and Update Service ensuring rapid access to HP support staff and proactive delivery of software updates. For more information about this service, please visit: <http://www.hp.com/services/insight>.

HP Insight Dynamics for ProLiant

HP Insight Dynamics for ProLiant, a product option, is advanced infrastructure management software that enables IT staff to instantly adjust their environments to meet dynamic business demands by provisioning, optimizing and protecting complex infrastructure in minutes. It's a powerful toolkit, integrated-by-design, that accelerates complex technology projects and simplifies daily operations, transforming data center economics. With Insight Dynamics IT professionals can plan capacity and power continuously, balance workloads across physical and virtual resources, and ensure cost-effective high availability. It also enables IT organizations to provision infrastructure consistently and automatically from pools of shared resources using a self-service portal. Resources provisioned can range from a single virtual machine to complex multi-tier environments and their associated physical and virtual resource requirements. In addition to the previous functional benefits, it also provides a cost-effective disaster recovery for physical and virtual environments that works with HP StorageWorks Continuous Access software for both the Enterprise Virtual Array and the XP storage array allowing application environments to be reactivated in minutes with the touch of a button to a remote location.

NOTE: For more information, visit: <http://www.hp.com/go/insightdynamics>



Optional Features

High Performance Clusters

HP Cluster Platforms

HP Cluster Platforms are specifically engineered, factory-integrated large-scale ProLiant clusters optimized for High Performance Computing, with a choice of servers, networks and software. Operating system options include specially priced offerings for Red Hat Enterprise Linux and Novell SLES, as well as Microsoft Windows HPC Server. A Cluster Platform Configurator simplifies ordering. <http://www.hp.com/go/clusters>.

HP HPC Interconnects

High Performance Computing (HPC) interconnect technologies are available for this server as part of the HP Cluster Platform portfolio. These high-speed InfiniBand and Gigabit interconnects are fully supported by HP when integrated within an HP cluster. Flexible, validated solutions can be defined with the help of configuration tools. <http://www.hp.com/techservers/clusters/ucp/index.html>

HP Cluster Management Utility

HP Cluster Management Utility (CMU) is an HP-licensed and HP-supported suite of tools that are used to manage large-scale Linux ProLiant systems. CMU includes software for the centralized provisioning, management and monitoring of nodes. CMU makes the administration of clusters user friendly, efficient, and effective. <http://www.hp.com/go/cmu>

HP HPC Linux Value Pack

HP HPC Linux Value Pack (Value Pack) is an HP-licensed and HP-supported specially priced software bundle for the development and deployment of applications on HPC Cluster Platforms. Value Pack includes the Platform LSF workload scheduler, the HP-MPI parallelization library, the HP Unified Parallel C compiler and the HP Shmem library, as well as the execution environments for the libraries and compiler. HP HPC Linux Value Pack

Factory Express Portfolio for Servers and Storage

HP Factory Express offers configuration, customization, integration and deployment services for HP servers and storage products. Customers can choose how their factory solutions are built, tested, integrated, shipped and deployed.

Factory Express offers service packages for simple configuration, racking, installation, complex configuration and design services as well as individual factory services, such as image loading, asset tagging, and custom packaging. HP products supported through Factory Express include a wide array of servers and storage: HP Integrity, HP ProLiant, HP ProLiant Server Blades, HP BladeSystem, HP 9000 servers as well as the MSAxxx, EVA7xxx, EVA, XP, rackable tape libraries and configurable network switches.

For more information on Factory Express services for your specific server model please contact your sales representative or go to: <http://www.hp.com/go/factory-express>.

HP Enterprise Configurator

The HP eConfigure-Enterprise Configurator now provides factory default racking for our HP hardware portfolio. This approach is aligned with our strategic direction to meet the needs and expectations of our valued customers. If you require "custom" rack configuration, please contact HP's Customer Business Center or an Authorized Partner for assistance. <http://www.hp.com/products/configurator>.



Service and Support

Service and Support

HP Care Pack Services: Packaged server and storage services for increased uptime, productivity and ROI

When you buy HP server and storage products and solutions, it's also a good time to think about what levels of support you may need. Our portfolio of service options reduce deployment and management worries while helping you get the most out of your server and storage investments. We take a holistic approach to your environment, bridging servers, blades, storage, software and network infrastructures with our packaged HP Care Pack Services for servers and storage.

Protect your business beyond warranty

When it comes to robustness and reliability, standard computing equipment warranties have matured along with technology. Good news that can also create problems stemming from depending on standard warranties designed to only protect against product defects and some downtime causes. Using a standard approach to warranty uplifts, such as HP Care Pack Services, helps reduce downtime risks and provides operational consistency for mission-critical and standard business computing.

HP Care Pack Services: Upgrading or extending standard server and storage warranties cost effectively

HP Care Pack Services offer a standard reactive hardware and software support services suite sold separately, or combined with our Support Plus and Support Plus 24 services. The portfolio also provides a combination of integrated proactive and reactive services, such as Proactive 24 Service and Critical Service. In addition with HP Proactive Select, you can acquire the specific proactive constancy and technical services. HP Proactive Select menu offers a broad set of service options that you can mix and match depending on your specific requirements. Proactive service options include offers for server, storage, network, SAN device, software, environment and education services.

HP server and storage lifecycle support services offers a full spectrum of customer care—from technology support to complex migrations to complete managed services. HP Factory Express provides customization, integration and deployment services for turnkey solutions. HP Education Services offer flexible, comprehensive training on to help your IT staff get the most out of your server and storage investments. HP Financial solutions extend innovative financing and cost-effective asset management programs—from purchase to equipment retirement.

Learn more: www.hp.com/services/servers and www.hp.com/services/storage

NOTE: Care Pack Services availability may vary by product and country.

HP Care Pack Services are sold by HP and HP Authorized Service Partners:

- Services for customers purchasing from HP or an enterprise reseller are quoted using HP order configuration tools.
- Customers purchasing from a commercial reseller can find HP Care Pack Services at <http://www.hp.com/go/lookuptool>



Service and Support

Recommended HP Care Pack Services for optimal satisfaction with your HP product

Recommended Services **3-Year HP Hardware Support Onsite Call-to-Repair (CTR) Service, 6- or 24-hour**
Provides your IT manager with a team of support specialists who will quickly begin troubleshooting the system to help return the hardware to operating condition within 6 or 24 hours of the initial service request to the HP Global Solution Center.

HP is committed to repairing your hardware within a maximum of six or twenty four hours. The benefits include:

- Improved system uptime
- Predictable repair times
- More effective IT resource planning
- Consistent level of hardware support across your multi-technology systems

<http://h20195.www2.hp.com/V2/GetPDF.aspx/5981-6636ENN>

3-Year HP Hardware Support Onsite Service, 4-hour response, 24x7

Provides you with rapid remote support and if required an HP authorized representative who will arrive on site any time and day of the year to begin hardware maintenance service within 4 hours of the service request being logged.

This service provides a trained HP service specialist to perform an installation that meets HP quality standards, for:

- Help improve or maintain system uptime
- Convenient onsite support
- Committed response time

<http://h20195.www2.hp.com/V2/GetPDF.aspx/5982-6547EEE>

HP ProLiant Server Hardware Installation

Provides for the basic hardware installation of HP branded servers, storage devices and networking options to assist you in bringing your new hardware into operation in a timely and professional manner.

- Expedited installation, with all service prerequisites met before the installation is performed
- Installation in accordance with manufacturer's specifications, enhancing the supportability of your HP-installed hardware and software
- Service delivery at a mutually scheduled time
- Allows your IT resources to stay focused on their core tasks and priorities
- Availability of an HP service specialist to answer questions during the onsite delivery of this service

<http://h20195.www2.hp.com/V2/GetPDF.aspx/5981-9356EN>



Service and Support

Optional HP Care Pack Services that will enhance your HP product experience

Optional Services

3-Year HP Support Plus 24

As an alternative to our recommended support level, for customers who need access to responsive 24x7 hardware and software support plus software updates on HP and selected third party products:

For a higher return on your server and storage technology, our 3-year combined reactive support service delivers integrated onsite hardware/software support services available 24x7x365, including access to HP technical resources, 4-hour response onsite hardware support and software updates.

<http://h20195.www2.hp.com/V2/GetPDF.aspx/5981-6638EEE>

3-Year HP Proactive 24

As an alternative to our recommended support level, for customers who want enhanced operational effectiveness and proactive problem identification:

Provides improved stability, availability and operational effectiveness with an integrated hardware and software support service that combines industry-leading reactive technical assistance with proactive account services, giving your IT manage support from a team of service specialists.

<http://h20195.www2.hp.com/V2/GetPDF.aspx/4AA0-1614ENUC>

HP Proactive Select Service

Customer needs on demand access to consulting, technical proactive services and education courses

Provides a flexible way to purchase HP best-in-class consultancy and technical services. You can buy Proactive Select Service Credits when you purchase your hardware and then use the credits over the next 12 months.

<http://h20195.www2.hp.com/V2/GetPDF.aspx/4AA2-3842ENN>

eSupport

HP eSupport is a portfolio of technology-based services that assist you with managing your business environment - from the desktop to the data center.

Support Portal

The HP support portal provides one-stop access to the information, tools and services you need to manage the daily operations of your IT environment.

Features include:

- Access to self-solve tools (including search technical knowledge base)
- Efficient logging and tracking of support cases
- Collaboration with other business and IT professionals
- Download of patches and drivers
- Access to diagnostic tools
- Proactive notification of relevant information

Access to certain features of the support portal requires an HP service agreement. To access the support portal, visit: <http://www.hp.com/support>

HP Insight Remote Support software delivers secure remote support for your HP Servers and Storage, 24



Service and Support

X 7, so you can spend less time solving problems and more time focused on your business. You can have your systems remotely monitored for hardware failure using secure technology that's been proven at thousands of companies around the world. In many cases, you can avoid problems before they occur.

Customer Technical Training

In today's cost-conscious business environment, IT professionals, developers, consultants and users face an interesting challenge: how to keep up with the latest technologies and expand important skills while delivering profitable results on current projects. To help address this challenge, HP offers innovative training solutions that help keep you up-to-date on virtualization, server, storage, Insight Control, Citrix, Microsoft® and open source/Linux-related topics-while spending less time away from business-critical activities.

HP Services Awards

HP Technology Services continues to be recognized for service and support excellence by customers, partners, industry organizations and publications around the world. Recent honors and award reflect our services team's dedications, technical expertise, professionalism and uncompromising commitment to customer satisfaction.

Additional Services Information

To learn more on HP ProLiant servers, HP BladeSystem servers and HP StorageWorks storage products, please contact your HP sales representative or HP Authorized Channel Partner. Or visit: www.hp.com/services/proliant or www.hp.com/services/bladesystem or <http://www.hp.com/hps/storage>



Pre-configured Models

NOTE: For the Standard Features shipped in the "Factory Integrated Models", please see the "Configuration Information - Factory Integrated Models" section.

NOTE: Pre-configured models ship with the configurations below. Options can be selected from the Core or Additional options section of this QuickSpecs.

NOTE: HP does not allow factory integration of options into pre-configured models. Any additional options purchased will be shipped separately.

NOTE: If you desire a custom configuration please see "Configuration Information - Factory Integrated Models" section of this QuickSpecs.

NOTE: Not all models are available in all regions. Check with your local country HP offices for availability.

HP DL380 G6 Performance Models	Processor(s) Two of the following depending on Model	(2) Intel® Xeon® Processor X5560 (2.80 GHz, 8MB L3 Cache, 95W, DDR3-1333, HT, Turbo 2/2/3/3) (2) Intel® Xeon® Processor X5550 (2.66 GHz, 8MB L3 Cache, 95W, DDR3-1333, HT, Turbo 2/2/3/3)
	Cache Memory Memory	8MB (1 x 8MB) Level 3 cache 12 GB (6 x 2 GB) PC3-10600R (DDR3-1333) Registered DIMMs NOTE: Total of 18 DIMM slots.
Quad-Core Models HP DL380G6 X5560 491315-xx1 HP DL380G6 X5550 491316-xx1	Network Controller Storage Controller Hard Drive Internal Storage	Two HP NC382i Dual Port Multifunction Gigabit Server Adapters HP Smart Array P410i/512MB with BBWC None ship standard Standard: 8 SFF SAS/SATA HDD Bays Optional: 16 SFF SAS/SATA HDD Bays
	Optical Drive Power Supply Fans Form Factor	HP Slim SATA DVD RW drive (2) 750W Hot Plug Power Supplies (6) (N+1 redundancy standard) Rack (2U), Height 3.38-inch (8.59 cm); Width: 17.25 (44.54 cm); Depth: 27.25 inches (69.98 cm)
	Warranty	Server Warranty includes 3-Year Parts, 3-Year Labor, 3-Year Onsite support with next business day response.

HP DL380 G6 Performance Models with ICE standard	Processor(s) Two of the following depending on Model	(2) Intel® Xeon® Processor X5560 (2.80 GHz, 8MB L3 Cache, 95W, DDR3-1333, HT, Turbo 2/2/3/3) (2) Intel® Xeon® Processor X5550 (2.66 GHz, 8MB L3 Cache, 95W, DDR3-1333, HT, Turbo 2/2/3/3)
	Cache Memory Memory	8MB (1 x 8MB) Level 3 cache 12 GB (6 x 2 GB) PC3-10600R (DDR3-1333) Registered DIMMs NOTE: Total of 18 DIMM slots.
Quad-Core Models HP DL380G6 X5560 470065-067 US 470065-071 APJ 470065-072 EURO	Network Controller Storage Controller Hard Drive Internal Storage	Two HP NC382i Dual Port Multifunction Gigabit Server Adapters HP Smart Array P410i/512MB with BBWC None ship standard Standard: 8 SFF SAS/SATA HDD Bays Optional: 16 SFF SAS/SATA HDD Bays
	Optical Drive Power Supply Fans	HP Slim SATA DVD RW drive (2) 750W Hot Plug Power Supplies (6) (N+1 redundancy standard)
HP DL380G6 X5550 470065-068 APJ 470065-069 EURO		



Pre-configured Models

Insight Control	HP Insight Control No Media single server license, including 1 year of 24x7 Technical Support and Updates
Form Factor	Rack (2U), Height 3.38-inch (8.59 cm); Width: 17.25 (44.54 cm); Depth: 27.25 inches (69.98 cm)
Warranty	Server Warranty includes 3-Year Parts, 3-Year Labor, 3-Year Onsite support with next business day response.

HP DL380 G6 Base Models

Quad-Core Models

HP DL380G6 E5540
491332-xx1
HP DL380G6 E5530
491324-xx1
HP DL380G6 E5520
491325-xx1

Processor(s) <i>One of the following depending on Model</i>	(1) Intel® Xeon® Processor E5540 (2.53 GHz, 8MB L3 Cache, 80W, DDR3-1066, HT, Turbo 1/1/2/2) (1) Intel® Xeon® Processor E5530 (2.40 GHz, 8MB L3 Cache, 80W, DDR3-1066, HT, Turbo 1/1/2/2) (1) Intel® Xeon® Processor E5520 (2.26 GHz, 8MB L3 Cache, 80W, DDR3-1066, HT, Turbo 1/1/2/2)
Cache Memory	8MB (1 x 8MB) Level 3 cache
Memory	6 GB (3 x 2 GB) PC3-10600R (DDR3-1333) Registered DIMMs NOTE: Total of 18 DIMM slots.
Network Controller	Two HP NC382i Dual Port Multifunction Gigabit Server Adapters
Storage Controller	HP Smart Array P410i/256MB Controller
Hard Drive	None ship standard
Internal Storage	Standard: 8 SFF SAS/SATA HDD Bays Optional: 16 SFF SAS/SATA HDD Bays
Optical Drive	None ship standard
Power Supply	(1) 460W Hot Plug Power Supply
Fans	(4) (N+1 redundancy standard)
Form Factor	Rack (2U), Height 3.38-inch (8.59 cm); Width: 17.25 (44.54 cm); Depth: 27.25 inches (69.98 cm)
Warranty	Server Warranty includes 3-Year Parts, 3-Year Labor, 3-Year Onsite support with next business day response.

HP DL380 G6 High Efficiency Models

Quad-Core Models
HP DL380G6 L5520
491335-xx1

Processor(s)	(1) Intel® Xeon® Processor L5520 (2.26 GHz, 8MB L3 Cache, 60W, DDR3-1066, HT, Turbo 1/1/2/2)
Cache Memory	8MB (1 x 8MB) Level 3 cache
Memory	4 GB (2 x 2 GB) PC3-10600E (DDR3-1333) Unbuffered DIMMs NOTE: Total of 18 DIMM slots.
Network Controller	Two HP NC382i Dual Port Multifunction Gigabit Server Adapters
Storage Controller	HP Smart Array P410i/Zero Memory Controller
Hard Drive	None ship standard
Internal Storage	Standard: 8 SFF SAS/SATA HDD Bays Optional: 16 SFF SAS/SATA HDD Bays
Optical Drive	None ship standard
Power Supply	(1) 460W Hot Plug Power Supply
Fans	(4) (N+1 redundancy standard)
Form Factor	Rack (2U), Height 3.38-inch (8.59 cm); Width: 17.25 (44.54 cm); Depth: 27.25 inches (69.98 cm)



Pre-configured Models

Warranty Server Warranty includes 3-Year Parts, 3-Year Labor, 3-Year Onsite support with next business day response.

HP DL380 G6 Entry Models Quad-Core Models HP DL380G6 E5504 491505-xx1	Processor(s)	(1) Intel® Xeon® Processor E5504 (2.00 GHz, 4MB L3 Cache, 80W, DDR3-800)
	Cache Memory	4MB (1 x 4MB) Level 3 cache
	Memory	4 GB (2 x 2 GB) PC3-10600R (DDR3-1333) Registered DIMMs NOTE: Total of 18 DIMM slots.
	Network Controller	Two HP NC382i Dual Port Multifunction Gigabit Server Adapters
	Storage Controller	HP Smart Array P410i/Zero Memory Controller
	Hard Drive	None ship standard
	Internal Storage	Standard: 8 SFF SAS/SATA HDD Bays Optional: 16 SFF SAS/SATA HDD Bays
	Optical Drive	None ship standard
	Power Supply	(1) 460W Hot Plug Power Supply
	Fans	(4) (N+1 redundancy standard)
	Form Factor	Rack (2U), Height 3.38-inch (8.59 cm); Width: 17.25 (44.54 cm); Depth: 27.25 inches (69.98 cm)
	Warranty	Server Warranty includes 3-Year Parts, 3-Year Labor, 3-Year Onsite support with next business day response.

Country Code Key	xx=00	U.S.
	xx=20	Brazil
	xx=29	Japan
	xx=37	APD
	xx=42	Europe
	xx=AA	PRC



Configuration Information - Factory Integrated Models

NOTE: This section lists some of the steps required to configure a Factory Integrated Model. To ensure only valid configurations are ordered, HP recommends the use of an HP approved configurator. Contact your local sales representative for information on configurable product offerings and requirements.

NOTE: Configure-to-order (CTO) servers must start with a CTO Chassis.

NOTE: FIO indicates that this option is only available as a factory installable option.

Step 1: Base Configuration (choose one of the following configurable models)

HP Models HP DL380R06 CTO Chassis 494329-B21

Factory Integrated Model ships with:

Two HP NC382i Dual Port Multifunction Gigabit Server Adapters

Smart Array P410i Controller

I/O slots - 3 Slots come standard:

- Slot 1 - FL/FH x8 PCIE (x16 connector)
- Slot 2 - HL/FH x4 PCIE (x8 connector)
- Slot 3 - HL/FH x4 PCIE (x8 connector)
 - Additional Slots may be added via selections from the PCI Information and Options subsection

System Fans - 4 (2 additional fans included with second processor)

Drive Cage - 8-SFF (Second SFF drive cage optional)

USB - 2 Rear, 2 Front, 1 Internal, 1 SD slot

Server Management - (iLO 2) (embedded)

NOTE: Power Supply not included - choose from Options section

HP DL380R06 LFF CTO Chassis 516919-B21

Factory Integrated Model ships with:

Two HP NC382i Dual Port Multifunction Gigabit Server Adapters

Smart Array P410i Controller

I/O slots - 3 Slots come standard:

- Slot 1 - FL/FH x8 PCIE (x16 connector)
- Slot 2 - HL/FH x4 PCIE (x8 connector)
- Slot 3 - HL/FH x4 PCIE (x8 connector)
 - Additional Slots may be added via selections from the PCI Information and Options subsection

Drive Cage - 6-LFF

System Fans - 4 (2 additional fans included with second processor)

USB - 2 Rear, 2 Front, 1 Internal, 1 SD slot

Server Management - (iLO 2) (embedded)

NOTE: Power Supply not included - choose from Options section

Step 2: Choose Required Options (only one of the following from each list unless otherwise noted)

HP Processors **Six-Core Processors**
HP DL380 G7 Intel® Xeon® X5650 (2.66GHz/6-core/12MB/95W) FIO Processor 587482-L21
Kit



Configuration Information - Factory Integrated Models

HP DL380 G7 Intel® Xeon® X5660 (2.80GHz/6-core/12MB/95W) FIO Processor Kit 587491-L21

HP DL380 G7 Intel® Xeon® X5670 (2.93GHz/6-core/12MB/95W) FIO Processor Kit 587493-L21

Quad-Core Processors

HP DL380 G6 Intel® Xeon® E5504 (2.00GHz/4-core/4MB/80W) FIO Processor Kit 492136-L21

HP DL380 G6 Intel® Xeon® E5506 (2.13GHz/4-core/4MB/80W) FIO Processor Kit 492131-L21

HP DL380 G6 Intel® Xeon® L5506 (2.13GHz/4-core/4MB/60W) FIO Processor Kit 500089-L21

HP DL380 G6 Intel® Xeon® E5520 (2.26GHz/4-core/8MB/80W) FIO Processor Kit 492239-L21

HP DL380 G6 Intel® Xeon® L5520 (2.26GHz/4-core/8MB/60W) FIO Processor Kit 500087-L21

Intel® Xeon® L5530 2.40GHz Quad Core 60 Watts DL380 G6 Factory Integrated Processor Option Kit 578388-L21

HP DL380 G6 Intel® Xeon® E5530 (2.40GHz/4-core/8MB/80W) FIO Processor Kit 492237-L21

HP DL380 G6 Intel® Xeon® E5540 (2.53GHz/4-core/8MB/80W) FIO Processor Kit 492244-L21

HP DL380 G6 Intel® Xeon® X5550 (2.66GHz/4-core/8MB/95W) FIO Processor Kit 492234-L21

HP DL380 G6 Intel® Xeon® X5560 (2.80GHz/4-core/8MB/95W) FIO Processor Kit 492232-L21

HP DL380 G6 Intel® Xeon® X5570 (2.93GHz/4-core/8MB/95W) FIO Processor Kit 500094-L21

Dual-Core Processors

HP DL380 G6 Intel® Xeon® E5502 (1.86GHz/2-core/4MB/80W) FIO Processor Kit 500085-L21

HP Memory

Registered DIMMs (RDIMMs)

HP 2GB (1x2GB) Dual Rank x8 PC3-10600 (DDR3-1333) Registered CAS-9 Memory Kit 500656-B21

HP 4GB (1x4GB) Dual Rank x4 PC3-10600 (DDR3-1333) Registered CAS-9 Memory Kit 500658-B21

HP 4GB (1x4GB) Quad Rank x8 PC3-8500 (DDR3-1066) Registered CAS-7 Low Power Memory Kit 500660-B21

HP 8GB (1x8GB) Dual Rank x4 PC3-8500 (DDR3-1066) Registered CAS-7 Memory Kit 516423-B21

HP 8GB (1x8GB) Dual Rank x4 PC3-10600 (DDR3-1333) Registered CAS-9 Memory Kit 500662-B21

HP 16GB (1x16GB) Quad Rank x4 PC3-8500 (DDR3-1066) Registered CAS-7 Memory Kit 500666-B21

Unbuffered with ECC DIMMs (UDIMMs)

HP 1GB (1x1GB) Single Rank x8 PC3-10600 (DDR3-1333) Unbuffered CAS-9 Memory Kit 500668-B21

HP 2GB (1x2GB) Dual Rank x8 PC3-10600 (DDR3-1333) Unbuffered CAS-9 Memory Kit 500670-B21

HP 4GB (1x4GB) Dual Rank x8 PC3-10600 (DDR3-1333) Unbuffered CAS-9 Memory Kit 500672-B21

NOTE: All DDR3 memory option kits consist of one DIMM per kit. For detailed memory configuration rules and guidelines, please use the Online DDR3 Memory Configuration Tool: www.hp.com/go/ddr3memory-configurator.

NOTE: Kits described as LP include Low Power DIMMs. For more information on ProLiant Energy Efficient Features, see: www.hp.com/go/proliant-energy-efficient.

NOTE: Refer to HP Power Advisor when selecting a power supply for your

HP Power Supplies



Configuration Information - Factory Integrated Models

configuration, www.hp.com/go/hppoweradvisor. Many HP ProLiant Servers now offer new power options, including Common Slot Power Supplies. These power supplies come in multiple power ratings and higher efficiency levels to offer the Right Size solution to fit your configuration. This provides improved power delivery and the advantage of reclaiming lost power. Prior to making a power supply selection it is "highly recommended" that the "HP Power Advisor" is run to determine the right size power supply for your server configuration. The HP Power Advisor is located at "www.hp.com/go/proliant-energy-efficient" or www.hp.com/go/hppoweradvisor

HP 460W HE 12V Hot Plug AC Power Supply Kit	503296-B21
HP 750W Common Slot High Efficiency Power Supply Kit	512327-B21
HP 1200W 12V Hot Plug AC Power Supply	500172-B21
HP 1200W Common Slot High Efficiency Power Supply Kit	578322-B21
HP 1200W-48V DC Common Slot Power Supply	437573-B21

NOTE: DC power supplies contain a -48V DC power cord designed for in rack DC power rectifiers.

NOTE: Option Kits contain optional power supply, an IEC power cable and PDU IEC cables.

Step 3: Choose Additional Factory Integratable Options (only one of the following from each list unless otherwise noted)

HP Storage Controllers	NOTE: If Additional Memory Cache Module or Controller is Required please pick one of the following:	
	HP Smart Array P212/256 1-ports Int/1-ports Ext PCIe x8 FIO SAS Controller	491191-B21
	HP Smart Array P410/256 2-ports Int PCIe x8 FIO SAS Controller	491195-B21
	HP Smart Array P411/256 2-ports Ext PCIe x8 FIO SAS Controller	491193-B21
	NOTE: The ProLiant DL380 G6 can support up to a quantity of two HP Smart Array P411 Controllers.	
	Optional Upgrades	
	HP 256MB Factory Integrated P-Series Cache Module	534108-B21
	NOTE: This is an option for the HP Smart Array P410i controller (P410i is standard integrated controller).	
	HP 650 mAh P-Series Battery	462969-B21
	NOTE: This is an option for the HP Smart Array P410i Controller (P410i is standard integrated controller).	
	NOTE: To enable BBWC on the 256MB cache on P410i.	
	HP 512MB P-Series Battery Backed Write Cache Upgrade	462967-B21
	NOTE: This is an option for the HP Smart Array P410i Controller (P410i is standard integrated controller).	
	NOTE: Battery included. When used with the embedded HP Smart Array P410i controller.	
	HP 512MB Flash Backed Write Cache	534916-B21
	NOTE: This is an option for the HP Smart Array P410i Controller (P410i is standard integrated controller).	
	HP 1GB Flash Backed Cache	534562-B21
	NOTE: This is an option for the HP Smart Array P410i Controller (P410i is standard integrated controller).	



Configuration Information - Factory Integrated Models

HP Performance Packs	<p>The HP ProLiant DL380 performance packs are necessary to configure a HP ProLiant DL380 Performance Model. HP ProLiant DL380 Performance model includes the latest performance technologies and enterprise class availability features pre-installed for convenience and value.</p> <ul style="list-style-type: none">• The performance pack includes:<ul style="list-style-type: none">○ 2nd processor○ 750-watt redundant power supply○ 512MB cache module for P410i○ 650 mAh P-Series Battery○ 15P 24in SFP Battery Cable Assy○ One DL380 G6 HP Fan kit (contains qty of 2) <p>NOTE: Must also select Slimline SATA DVD RW Optical Drive (481043-B21) to achieve parity to DL380 High Performance Models.</p>	
	HP DL380G6 2.6 HPM FIO Perf Pack	500583-B21
	HP DL380G6 2.8 HPM FIO Perf Pack	500584-B21
HP Insight Software	HP Insight Control, No Media 1-Server License Factory-Integratable Option (FIO) including 1 year of 24x7 Technical Support and Updates	582765-B21
	HP Insight Control for Linux, No Media 1-Server License Factory-Integratable Option (FIO) including 1 year of 24x7 Technical Support and Updates	TC203A

Step 4: Choose Additional Options for Factory Integration

NOTE: For additional options, please refer to the "Core Options and Additional Options" section below.



Core Options

NOTE: Some options may not be integrated at the factory. Contact your local sales representative for additional information.

HP Unique Options	HP StorageWorks RDX160 Removable Disk Backup System DL Server Module NOTE: Mounts in DL380 G6 second drive cage slot (160GB of Disk Storage)	AP724A
	HP StorageWorks RDX320 Removable Disk Backup System DL Server Module NOTE: Mounts in DL380 G6 second drive cage slot (320GB of Disk Storage)	AP725A
	HP StorageWorks RDX500 Removable Disk Backup System DL Server Module NOTE: Mounts in DL380 G6 second drive cage slot (500GB of Disk Storage)	AP726A
	HP 8SFF CAGE 380G6 NOTE: Second drive cage installation replaces internal optical bay. NOTE: Second drive cage requires second controller or HP SAS Expander Card (468406-B21).	516914-B21
	HP DL380G6 PCI-E 3 Slot 1x8 2x4 Riser Kit	500579-B21

HP Processors

Six-Core Processors

HP DL380 G7 Intel® Xeon® X5650 (2.66GHz/6-core/12MB/95W) Processor Kit	587482-B21
HP DL380 G7 Intel® Xeon® X5660 (2.80GHz/6-core/12MB/95W) Processor Kit	587491-B21
HP DL380 G7 Intel® Xeon® X5670 (2.93GHz/6-core/12MB/95W) Processor Kit	587493-B21

Quad-Core Processors

HP DL380 G6 Intel® Xeon® E5504 (2.00GHz/4-core/4MB/80W) Processor Kit	492136-B21
HP DL380 G6 Intel® Xeon® E5506 (2.13GHz/4-core/4MB/80W) Processor Kit	492131-B21
HP DL380 G6 Intel® Xeon® L5506 (2.13GHz/4-core/4MB/60W) Processor Kit	500089-B21
HP DL380 G6 Intel® Xeon® E5520 (2.26GHz/4-core/8MB/80W) Processor Kit	492239-B21
HP DL380 G6 Intel® Xeon® L5520 (2.26GHz/4-core/8MB/60W) Processor Kit	500087-B21
HP DL380 G6 Intel® Xeon® L5530 (2.40GHz/4-core/8MB/60W) Processor Kit	578388-B21
HP DL380 G6 Intel® Xeon® E5530 (2.40GHz/4-core/8MB/80W) Processor Kit	492237-B21
HP DL380 G6 Intel® Xeon® E5540 (2.53GHz/4-core/8MB/80W) Processor Kit	492244-B21
HP DL380 G6 Intel® Xeon® X5550 (2.66GHz/4-core/8MB/95W) Processor Kit	492234-B21
HP DL380 G6 Intel® Xeon® X5560 (2.80GHz/4-core/8MB/95W) Processor Kit	492232-B21
HP DL380 G6 Intel® Xeon® X5570 (2.93GHz/4-core/8MB/95W) Processor Kit	500094-B21

Dual-Core Processors

HP DL380 G6 Intel® Xeon® E5502 (1.86GHz/2-core/4MB/80W) Processor Kit	500085-B21
---	------------



Core Options

HP Memory	Registered DIMMs (RDIMMs)	
	HP 2GB (1x2GB) Dual Rank x8 PC3-10600 (DDR3-1333) Registered CAS-9 Memory Kit	500656-B21
	HP 4GB (1x4GB) Dual Rank x4 PC3-10600 (DDR3-1333) Registered CAS-9 Memory Kit	500658-B21
	HP 4GB (1x4GB) Quad Rank x8 PC3-8500 (DDR3-1066) Registered CAS-7 Low Power Memory Kit	500660-B21
	HP 8GB (1x8GB) Dual Rank x4 PC3-8500 (DDR3-1066) Registered CAS-7 Memory Kit	516423-B21
	HP 8GB (1x8GB) Dual Rank x4 PC3-10600 (DDR3-1333) Registered CAS-9 Memory Kit	500662-B21
	HP 16GB (1x16GB) Quad Rank x4 PC3-8500 (DDR3-1066) Registered CAS-7 Memory Kit	500666-B21
	Unbuffered with ECC DIMMs (UDIMMs)	
	HP 1GB (1x1GB) Single Rank x8 PC3-10600 (DDR3-1333) Unbuffered CAS-9 Memory Kit	500668-B21
	HP 2GB (1x2GB) Dual Rank x8 PC3-10600 (DDR3-1333) Unbuffered CAS-9 Memory Kit	500670-B21
	HP 4GB (1x4GB) Dual Rank x8 PC3-10600 (DDR3-1333) Unbuffered CAS-9 Memory Kit	500672-B21
	<p>NOTE: All DDR3 memory option kits consist of one DIMM per kit. For detailed memory configuration rules and guidelines, please use the Online DDR3 Memory Configuration Tool: www.hp.com/go/ddr3memory-configurator.</p> <p>NOTE: Kits described as LP include Low Power DIMMs. For more information on ProLiant Energy Efficient Features, see: www.hp.com/go/proliant-energy-efficient</p>	

HP Optical Drives	HP Slim SATA DVD RW Optical Drive	481043-B21
	NOTE: Included in performance models.	
	HP Slim SATA DVD-ROM Optical Drive	481041-B21
	HP External USB CD/DVD R/RW Option Drive	FS943AA#ABA
NOTE: There is no optical drive support in the LFF Hard Drive models.		

HP Hard Drives	<p>NOTE: The components of a storage subsystem (e.g. the drive, the HBA/controller, firmware, and the server backplane) should operate at the same data transfer rate or the system bandwidth will be negotiated down to an acceptable level for all components.</p> <p>NOTE: Hard drives have either a one year or three year warranty; refer to the specific hard drive QuickSpecs for details.</p>	
	SAS Hot Plug SFF (2.5-inch) Enterprise (ENT) Drives	
	HP 600GB 6G SAS 10K rpm SFF (2.5-inch) Dual Port Enterprise 3yr Warranty Hard Drive	581286-B21
	HP 450GB 6G SAS 10K rpm SFF (2.5-inch) Dual Port Enterprise 3yr Warranty Hard Drive	581284-B21
	HP 300GB 6G SAS 10K rpm SFF (2.5-inch) Dual Port Enterprise 3yr Warranty Hard Drive	507127-B21



Core Options

HP 146GB 6G SAS 15K rpm SFF (2.5-inch) Dual Port Enterprise 3yr Warranty Hard Drive	512547-B21
HP 146GB 6G SAS 10K rpm SFF (2.5-inch) Dual Port Enterprise 3yr Warranty Hard Drive	507125-B21
HP 72GB 6G SAS 15K rpm SFF (2.5-inch) Dual Port Enterprise 3yr Warranty Hard Drive	512545-B21
SAS Hot Plug LFF (3.5-inch) Enterprise (ENT) Drives	
HP 600GB 6G SAS 15K rpm LFF (3.5-inch) Dual Port Enterprise 3yr Warranty Hard Drive	516828-B21
HP 450GB 6G SAS 15K rpm LFF (3.5-inch) Dual Port Enterprise 3yr Warranty Hard Drive	516816-B21
HP 300GB 6G SAS 15K rpm LFF (3.5-inch) Dual Port Enterprise 3yr Warranty Hard Drive	516814-B21
SAS Hot Plug SFF (2.5-inch) Midline (MDL) Drives	
HP 500GB 6G SAS 7.2K rpm SFF (2.5-inch) Dual Port Midline 1yr Warranty Hard Drive	507610-B21
SAS Hot Plug LFF (3.5-inch) Midline (MDL) Drives	
HP 2TB 6G SAS 7.2K rpm LFF (3.5-inch) Dual Port Midline 1yr Warranty Hard Drive	507616-B21
HP 1TB 6G SAS 7.2K rpm LFF (3.5-inch) Dual Port Midline 1yr Warranty Hard Drive	507614-B21
HP 1TB 3G SAS 7.2K rpm LFF (3.5-inch) Dual Port Midline 1yr Warranty Hard Drive	461137-B21
NOTE: Please see the QuickSpecs for Technical Specifications and additional information:	
http://h18000.www1.hp.com/products/quickspecs/12244_div/12244_div.html (Worldwide)	
SATA Hot Plug SFF (2.5-inch) Midline (MDL) Drives	
HP 500GB 3G SATA 7.2K rpm SFF (2.5-inch) Midline 1yr Warranty Hard Drive	507750-B21
HP 160GB 3G SATA 7.2K rpm SFF (2.5-inch) Midline 1yr Warranty Hard Drive	530888-B21
SATA Hot Plug LFF (3.5-inch) Midline (MDL) Drives	
HP 2TB 3G SATA 7.2K rpm LFF (3.5-inch) Midline 1yr Warranty Hard Drive	507632-B21
HP 1TB 3G SATA 7.2K rpm LFF (3.5-inch) Midline 1yr Warranty Hard Drive	454146-B21
HP 500GB 3G SATA 7.2K rpm LFF (3.5-inch) Midline 1yr Warranty Hard Drive	458928-B21
SATA Hot Plug SFF (2.5-inch) Entry (ETY) Drives	
HP 250GB 3G SATA 5.4K rpm SFF (2.5-inch) Entry 1yr Warranty Hard Drive	460355-B21
HP 120GB 1.5G SATA 5.4K rpm SFF (2.5-inch) Entry 1yr Warranty Hard Drive	458924-B21
SATA Hot Plug LFF (3.5-inch) Entry (ETY) Drives	
HP 250GB 3G SATA 7.2K rpm LFF (3.5-inch) Entry 1yr Warranty Hard Drive	571230-B21
HP 160GB 3G SATA 7.2K rpm LFF (3.5-inch) Entry 1yr Warranty Hard Drive	458945-B21
NOTE: Please see the QuickSpecs for Technical Specifications and additional information:	
http://h18000.www1.hp.com/products/quickspecs/13021_div/13021_div.html (Worldwide)	
SATA Hot Plug Midline (MDL) Solid State Drives	
HP 60GB 3G SATA SFF (2.5-inch) Midline 1yr Warranty Solid State Drive	572071-B21
HP 120GB 3G SATA SFF (2.5-inch) Midline 1yr Warranty Solid State Drive	572073-B21



Core Options

SATA Hot Plug 3.5" Midline (MDL) Solid State Drives

HP 60GB 3G SATA LFF (3.5-inch) Midline 1yr Warranty Solid State Drive 570761-B21

HP 120GB 3G SATA LFF (3.5-inch) Midline 1yr Warranty Solid State Drive 570763-B21

NOTE: Please see the QuickSpecs for Technical Specifications and additional information:

http://h18000.www1.hp.com/products/quickspecs/13415_div/13415_div.html
(Worldwide)

HP Networking

Gigabit Ethernet adapters

HP NC112T PCIe Gigabit Server Adapter 503746-B21

HP NC360T PCI Express Dual Port Gigabit Server Adapter 412648-B21

HP NC364T PCI Express Quad Port Gigabit Server Adapter 435508-B21

NOTE: Does not support Windows 2000.

HP NC365T 4-port Ethernet Server Adapter 593722-B21

HP NC373F PCI Express Multifunction Gigabit Server Adapter 394793-B21

HP NC373T PCI Express Multifunction Gigabit Server Adapter 394791-B21

HP NC375T PCI Express Quad Port Gigabit Server Adapter 538696-B21

HP NC382T PCI Express Dual Port Multifunction Gigabit Server Adapter 458492-B21

10 Gigabit Ethernet Adapters

NOTE: No more than two 10GbE I/O devices are supported in a single ProLiant server.

NOTE: A minimum of two Gigabytes (2 GB) of server memory is required per each adapter.

NOTE: Direct Attach Cable (DAC) for copper environments or fiber transceivers and cables for fiber-optic environments must be purchased separately

HP NC522SFP Dual Port 10GbE Server Adapter 468332-B21

HP NC550SFP Dual Port 10GbE Server Adapter 581201-B21

NOTE: Please see the QuickSpecs for Technical Specifications and additional information: www.hp.com/go/ProLiantNICs

HP InfiniBand

HP IB 4X QDR CX-2 PCI-e G2 Dual Port HCA 592520-B21

HP IB 4X DDR CX-2 PCI-e G2 Dual Port HCA 592521-B21

HP 4X QDR PCI-e G2 QLogic InfiniBand Dual Port HCA 583211-B21

NOTE: Please see the QuickSpecs for additional information:

http://h18000.www1.hp.com/products/quickspecs/13078_div/13078_div.html

HP I/O Expansion Options

HP DL380G6 PCI-E 3 Slot 1x8 2x4 Riser Kit 500579-B21

HP DL38X PCI-X riser kit (1) PCI-X, (1) x8, (1) x4 494322-B21

HP DL38X (1) x16 PCI-E riser kit 494323-B21

HP DL38X (2) x8 PCI-E Riser Kit 494326-B21

NOTE: This riser card will support a quantity of one 10GbE NIC.



Core Options

HP Power Supplies

CAUTION: In ProLiant Servers that have more than one power slot (bay), only same size power supplies are recommended. If non-matched power supplies are inserted you will get errors and operation will fail.

HP 460W HE 12V Hot Plug AC Power Supply Kit 503296-B21

HP 750W Common Slot High Efficiency Power Supply Kit 512327-B21

HP 1200W 12V Hot Plug AC Power Supply 500172-B21

HP 1200W Common Slot High Efficiency Power Supply Kit 578322-B21

HP 1200W-48V DC Common Slot Power Supply 437573-B21

NOTE: DC power supplies contain a -48V DC power cord designed for in rack DC power rectifiers.

NOTE: Option Kits contain optional power supply, an IEC power cable and PDU IEC cables.



Additional Options

HP Insight Software

HP Insight Control

HP Insight Control, Single-Server License including 1 year of 24x7 Technical Support and Updates 452148-B22

HP Insight Control suite, No Media, Electronic License including 1 year of 24x7 Technical Support and Updates T9074BAE

HP Insight Control, Electronic License for bundling with ProLiant ML/DL server, including 1 year of 24x7 Technical Support and Updates TC278AAE

HP Insight Control, Tracking License for bundling with ProLiant ML/DL server, including 1 year of 24x7 Technical Support and Updates TC275A

HP Insight Software Media Kit 436222-B21

NOTE: Insight Software DVD media without licenses. Contains HP Systems Insight Manager, HP Insight Control, HP Insight Dynamics, HP Insight Control for Microsoft System Center, and Virtual Connect Enterprise Manager software. Uses an integrated installer to perform quick and accurate software installation and updates.

NOTE: Electronic and Flexible-Quantity licenses can be used to purchase multiple licenses with a single activation key.

NOTE: Electronic software is available in all countries except China and Japan. Customers in China and Japan should order the physical equivalent.

NOTE: Customer will receive a license entitlement certificate. The license entitlement certificate must be redeemed online or via fax in order to obtain the license activation key(s). Includes one year of 24 x 7 HP Software Technical Support and Update Service.

NOTE: Licenses ship without media. The HP Insight Control Media Kit can be ordered separately, or can be downloaded at: <http://www.hp.com/go/insightupdates>.

NOTE: For additional license options please see the Insight Control QuickSpecs at: http://h18000.www1.hp.com/products/quickspecs/12631_div/12631_div.html

HP Insight Control for Linux

HP Insight Control for Linux, No Media, 1-server license for bundling with Tower, Rack, and Scalable servers, including one year of 24x7 Technical Support and Updates, Electronic TC203AAE

HP Insight Control for Linux, 1-server license, including one year of 24x7 Technical Support and Updates, Electronic TC213AAE

HP Insight Control for Linux, No Media, 1-Server license, including one year of 24x7 Technical Support and Updates TC209A

HP Insight Control for Linux, Media pack (DVD) - No licenses included TC208A

NOTE: Media pack DVD contains the ISO image for HP Insight Control for Linux, HP Systems Insight Manager, HP Insight Control power management, HP Insight Control virtual machine management, and an integrated installer. Servers must be acquired separately.

NOTE: Licenses ship without media. The Media Kit for Insight Control for Linux can be ordered separately, or can be downloaded at: <http://www.hp.com/go/ic-linux> (click on Download button).

NOTE: Electronic software is available in all countries except China and Japan. Customers in China and Japan should order the physical equivalent.

NOTE: Electronic and Flexible-Quantity licenses can be used to purchase multiple licenses with a single set of activation keys.

NOTE: For additional License Kits, including electronic licensing options, please see the QuickSpecs at:



Additional Options

http://h18000.www1.hp.com/products/quickspecs/13019_div/13019_div.html

HP Integrated Lights-Out (iLO) Advanced

HP Integrated Lights-Out Advanced, No Media, 1-Server License, including 1 year of 24x7 Technical Support and Updates 512485-B21

HP ProLiant Essentials Integrated Lights-Out Advanced Pack, Electronic, including 1 year of 24x7 Technical Support and Updates TA850AAE

NOTE: This license allows 1 server to be deployed and managed via HP iLO Advanced. Customer will receive a printed license entitlement certificate via physical shipment. The license entitlement certificate must be redeemed online or via fax in order to obtain the license activation key(s). Includes one year of 24 x 7 HP Software Technical Support Service

NOTE: Electronic software is available in all countries except China and Japan. Customers in China and Japan should order the physical equivalent.

NOTE: For additional license kits, including electronic delivery options, please see the QuickSpecs at:

http://h18000.www1.hp.com/products/quickspecs/12362_div/12362_div.html

HP Insight Control server deployment

HP Insight Control server deployment Electronic License including 1 year 24x7 Technical Support and Updates T9082AAE

HP Insight Control server deployment 1-Server License including 1 year 24x7 Technical Support and Updates 452151-B21

NOTE: Licenses ship without media. The Insight Control Media Kit can be ordered separately, or can be downloaded at: <http://www.hp.com/go/insightupdates>.

NOTE: Electronic licenses can be used to purchase multiple licenses with a single activation key, and is available in all countries except China and Japan. Customers in China and Japan should order the physical equivalent.

NOTE: Customer will receive a license entitlement certificate, which must be redeemed online or via fax in order to obtain the license activation key(s). Includes one year of 24 x 7 HP Software Technical Support Service.

NOTE: For additional license kits please see the Insight Control QuickSpecs at:

http://h18004.www1.hp.com/products/quickspecs/12631_div/12631_div.html

High Performance Clusters

HP Cluster Management Utility

HP Cluster Management Utility Compute Node Flexible License 436284-B21

NOTE: This part number can be used to purchase one certificate for multiple licenses with a single activation key. Each license is for one node (server). Customer will receive a printed end user license agreement and license entitlement certificate via physical shipment. The license entitlement certificate must be redeemed online in order to obtain a license key.

HP Cluster Management Utility License and Media 433257-B21

NOTE: Order a minimum of one license per cluster to purchase media including software and documentation, which will be delivered to the customer, and also licenses CMU management. No license key is delivered or required.

NOTE: For additional license kits please see the QuickSpecs at:

http://h18004.www1.hp.com/products/quickspecs/12612_div/12612_div.html

HP HPC Linux Value Pack



Additional Options

HP High Performance Computing Linux Value Pack 1 Processor Flexible License	TC293A
<p>NOTE: This part number can be used to purchase one certificate for multiple licenses with a single activation key. Each license is for one socket (a.k.a. processor). Customer will receive a printed end user license agreement and license entitlement certificate via physical shipment. The license entitlement certificate must be redeemed online in order to obtain a license key.</p>	
HP High Performance Computing Linux Value Pack Media Kit	TC294A
<p>NOTE: This part number can be used to purchase media including software and documentation, which will be delivered to the customer.</p> <p>NOTE: For additional license kits please see the QuickSpecs at: http://h18004.www1.hp.com/products/quickspecs/13485_div/13485_div.html</p>	

HP Drive Cage Options	HP 8SFF CAGE 380G6	516914-B21
<p>NOTE: Second drive cage installation replaces internal optical bay.</p> <p>NOTE: Second drive cage requires second controller or HP SAS Expander Card (468406-B21).</p>		

HP I/O Accelerator Options	HP 160GB SLC PCIe ioDrive	600278-B21
	<p>NOTE: A low-profile PCI bracket is included for use in low-profile slots.</p>	
	HP 320GB MLC PCIe ioDrive	600279-B21
	<p>NOTE: A low-profile PCI bracket is included for use in low-profile slots.</p>	
	HP 320GB SLC PCIe ioDrive Duo	600281-B21
	HP 640GB MLC PCIe ioDrive Duo	600282-B21
<p>NOTE: Please see the QuickSpecs for Technical Specifications and additional information: http://h18000.www1.hp.com/products/quickspecs/13587_div/13587_div.html (Worldwide)</p>		

HP Security - TPM	HP Trusted Platform Module Option Kit	488069-B21
-------------------	---------------------------------------	------------

HP Storage Controllers	SAS Controllers	
	Smart Array P800 Controller	
	HP Smart Array P800/512 BBWC 2-ports Int/2-ports Ext PCIe x8 SAS Controller	381513-B21
	Smart Array P212 Controller	
	HP Smart Array P212/ZM 1-ports Int/1-ports Ext PCIe x8 SAS Controller	462828-B21
	HP Smart Array P212/256 1-ports Int/1-ports Ext PCIe x8 SAS Controller	462834-B21
	Smart Array P410 Controller	
	HP Smart Array P410/256 2-ports Int PCIe x8 SAS Controller	462862-B21
	HP Smart Array P410/512 BBWC 2-ports Int PCIe x8 SAS Controller	462864-B21
	HP Smart Array P410/512 FBWC 2-ports Int PCIe x8 SAS Controller	578230-B21
	HP Smart Array P410/1G FBWC 2-ports Int PCIe x8 SAS Controller	572532-B21
	Smart Array P411 Controller	
	HP Smart Array P411/256 2-ports Ext PCIe x8 SAS Controller	462830-B21



Additional Options

HP Smart Array P411/512 BBWC 2-ports Ext PCIe x8 SAS Controller	462832-B21
HP Smart Array P411/512 FBWC 2-ports Ext PCIe x8 SAS Controller	578229-B21
HP Smart Array P411/1G FBWC 2-ports Ext PCIe x8 SAS Controller	572531-B21
Smart Array P812 Controller	
HP Smart Array P812/1G FBWC 2-ports Int/2-ports Ext PCIe x8 SAS Controller	487204-B21
Optional Upgrades	
HP 256MB P-series Cache Upgrade	462968-B21
NOTE: Supported on HP Smart Array P212 Controller and as an upgrade on HP Smart Array P410i (Zero Memory).	
HP 512MB P-Series Battery Backed Write Cache Upgrade	462967-B21
HP 1GB Flash Backed Cache	534562-B21
NOTE: Supported on the Smart Array P410i Controller only.	
HP 512MB Flash Backed Write Cache	534916-B21
NOTE: Supported on the Smart Array P410i Controller only.	
HP 650 mAh P-Series Battery	462969-B21
NOTE: To enable BBWC on the 256MB cache.	
NOTE: Supported on HP P410i Smart Array (integrated), HP Smart Array P212 Controller, HP Smart Array P410 Controller, and HP Smart Array P411 Controller only.	
HP 8484 to Mini SAS 33in Cable Assembly	591734-B21
NOTE: Cable for use connecting the Smart Array P800 Controller to internal hard disk drives on select HP ProLiant G6 Servers.	
HP Chipset SATA Cable Kit	627121-B21
HP Smart Array Advanced Pack including 1yr 24x7 Technical Support and Updates Single Server License	516471-B21
NOTE: This part number can be used to purchase a single license or to order multiple licenses with a single activation key. Customers will receive a license entitlement certificate via e-mail. The license entitlement certificate must be redeemed online or via fax in order to obtain the license activation key(s). Include one year of 24x7 HP Software Technical Support Services.	
NOTE: Please see the QuickSpecs for Technical Specifications and additional information:	
http://h18000.www1.hp.com/products/quickspecs/12616_div/12616_div.html (Smart Array P800 Controller)	
http://h18000.www1.hp.com/products/quickspecs/13203_div/13203_div.html (Smart Array P212 Controller)	
http://h18000.www1.hp.com/products/quickspecs/13201_div/13201_div.html (Smart Array P410 Controller)	
http://h18000.www1.hp.com/products/quickspecs/13202_div/13202_div.html (Smart Array P411 Controller)	
http://h18000.www1.hp.com/products/quickspecs/13558_div/13558_div.html (Smart Array P812 Controller)	
http://h18000.www1.hp.com/products/quickspecs/13200_div/13200_div.html (Smart Array Advanced Pack)	
SAS Controller Options	
HP 24 Bay 3Gb SAS Expander Card	468406-B21



Additional Options

NOTE: Please see the QuickSpecs for Technical Specifications and additional information:

http://h18004.www1.hp.com/products/quickspecs/13232_div/13232_div.html
(SAS Expander Card)

SAS HBA

HP SC08Ge 2-ports Ext PCIe x8 SAS Host Bus Adapter 488765-B21

NOTE: For use with additional 8 SFF drive cage (516914-B21).

HP Modular Smart Array SC08e 2-ports Ext PCIe x8 SAS Host Bus Adapter 614988-B21

NOTE: This is a 2 x4 External Port HBA

NOTE: This is only approved for the HP StorageWorks P2000 G3 SAS Modular Smart Array.

NOTE: Please see the QuickSpecs for Technical Specifications and additional information:

http://h18004.www1.hp.com/products/quickspecs/13082_div/13082_div.html
(SC08Ge HBA)

http://h18004.www1.hp.com/products/quickspecs/13651_div/13651_div.html
(SC08e 6Gb HBA)

SCSI HBA

HP SC11Xe Ultra320 Single Channel/ PCIe x4 SCSI Host Bus Adapter 412911-B21

NOTE: Recommended HBA for SCSI tape drive connect.

NOTE: Please see the QuickSpecs for additional information:

http://h18000.www1.hp.com/products/quickspecs/12566_div/12566_div.html
(SC11Xe HBA)

HP Power Cords

NOTE: HP ProLiant servers ships with an IEC-IEC power cord used for rack mounting with Power Distribution Units (PDUs).

Nema 5-15P to IEC320-C13, North America low voltage (6 ft/2 m) AF556A

Power Cord, Euro, 10A 250 V Straight (6 ft/1.83 m) AF568A

Power Cord, UK, 10A 250 V Straight (6 ft/1.83 m) AF570A

Power Cord, Danish, 10A 250 V Straight (6 ft/1.83 m) AF566A

Power Cord, Swiss, 10A 250 V Straight (6 ft/1.83 m) AF565A

Power Cord, Italian, 10A 250 V Straight (6 ft/1.83 m) AF571A

Power Cord, South Africa, 10A 250 V Straight (8.2 ft/2.5 m) AF567A

HP Backup & Recovery Software

HP Data Protector Express

HP Data Protector Express V5.0 for 1 Server E-LTU TC330AAE

HP Data Protector Express V5.0 for 3 Servers E-LTU TC331AAE

HP Data Protector Express V5.0 for 10 Servers E-LTU TC332AAE

HP Basic Upgrade to Data Protector Express V5 for 1 Server E-LTU TC333AAE

NOTE: One of these Data Protector Express base products is required. To see available options: <http://www.hp.com/go/dataprotectorexpress>



Additional Options

HP Tape Backup

NOTE: For the complete range of StorageWorks tape drives, autoloaders, libraries and media see: <http://www.hp.com/go/tape>. For hardware and software compatibility of HP StorageWorks tape backup products see: <http://www.hp.com/go/connect>.

HP DAT 320 USB 1U Rack-mount Kit AP835B

HP StorageWorks 1/8 G2 LTO-4 Ultrium 1760 SAS Tape Autoloader AK377A

NOTE: Requires HP 1U Tape Autoloader Rack Kit (AH166A) for rack installation. Connection using HP P212 SAS Smart Array Controller (462828-B21) recommended.

HP StorageWorks DAT 320 SAS Internal Tape Drive AJ830A

NOTE: For installation into 1U SAS rack kit (AE459B) or 3U SAS rack kit (AG576B). No peripheral bay available for installation into the server. Connection using HP P212 Smart Array Controller SAS (462828-B21) recommended.

HP StorageWorks LTO-4 Ultrium 1760 Tape Drive in 1U SAS Rack Kit EH946B

NOTE: Connection using HP Smart Array P212/Zero Memory Controller (462828-B21) recommended.

HP StorageWorks LTO-5 Ultrium 3000 Tape Drive in 1U SAS Rack Kit EJ014A

NOTE: Connection using HP Smart Array P212/Zero Memory Controller (462828-B21) recommended.

HP StorageWorks 1/8 G2 LTO-3 Ultrium 3000 SAS Tape Autoloader BL536A

NOTE: Requires HP 1U Tape Autoloader Rack Kit (AH166A) for rack installation. Connection using HP P212 Smart Array Controller SAS (462828-B21) recommended.

HP StorageWorks MSL2024 1 LTO-4 Ultrium 1760 SAS Drive Library AK378A

HP StorageWorks MSL2024 Tape Library with one LTO-5 Ultrium 3000 SAS Drive BL537A

NOTE: Connection using HP P212 Smart Array Controller SAS (462828-B21) recommended.

HP StorageWorks MSL4048 Tape Library with one LTO-4 Ultrium 3000 SAS Drive BL538A

NOTE: Connection using HP Smart Array P212/Zero Memory Controller (462828-B21) recommended.

HP Disk Backup

NOTE: For the complete range of StorageWorks D2D Backup Systems see: <http://www.hp.com/go/d2d>. For the complete range of StorageWorks RDX drives and media see: <http://www.hp.com/go/rdx>. For hardware and software compatibility of HP StorageWorks disk backup products see: <http://www.hp.com/go/connect>.

HP StorageWorks D2D Backup Systems with Backup Data Deduplication

HP StorageWorks D2D2502i Backup System EJ001B

NOTE: 1.5TB of useable network disk backup capacity. Network connected appliance with connectivity using the iSCSI protocol. If the server requires a hardware iSCSI initiator, the QLogic QLA4050 Host Bus Adapter is recommended.

HP StorageWorks D2D2504i Backup System EJ002B

NOTE: 3.0TB of useable network disk backup capacity. Network connected appliance with connectivity using the iSCSI protocol. If the server requires a hardware iSCSI initiator, the QLogic QLA4050 Host Bus Adapter is recommended.

HP StorageWorks D2D4112fc Backup System EH993B

NOTE: 9.0TB (expandable to 18.0TB) of useable network disk backup capacity. Fibre Channel SAN connected appliance. Direct server attach is not supported, requires connection via SAN fabric.

HP StorageWorks RDX Removable Disk Backup Systems USB



Additional Options

HP StorageWorks RDX160 Removable Disk Backup System DL Server Module NOTE: Mounts in DL385 G6 second drive cage slot (160GB of Disk Storage)	AP724A
HP StorageWorks RDX320 Internal Removable Disk Backup System for DL Servers NOTE: 320GB of disk capacity per data cartridge.	AP725A
HP StorageWorks RDX500 Internal Removable Disk Backup System for DL Servers NOTE: 500GB of disk capacity per data cartridge.	AP726A
HP StorageWorks RDX750 Internal Removable Disk Backup System for DL Servers NOTE: 750GB of disk capacity per data cartridge.	AW578A

HP StorageWorks Options

StorageWorks Fibre Channel HBA

NOTE: For the complete listing of Fibre Channel Host Bus Adapters for Windows 2000, Windows Server 2003 and Linux, please see:
<http://h18006.www1.hp.com/storage/saninfrastructure/hba.html>

Brocade Fibre Channel HBAs

HP StorageWorks 81B PCI-e FC HBA Single Port	AP769A
HP StorageWorks 82B PCI-e FC HBA Dual Port	AP770A
HP StorageWorks 41B 4Gb PCI-e FC HBA	AP767A
HP StorageWorks 42B 4Gb Dual-Port PCI-e FC HBA	AP768A

Emulex Fibre Channel HBAs

HP StorageWorks 81E PCI-e FC HBA Single Port	AJ762A
HP StorageWorks 82E PCI-e FC HBA Dual Port	AJ763A
HP StorageWorks FC2142 4Gb PCI-e HBA	A8002A
HP StorageWorks FC2242 Dual Channel 4Gb PCI-e HBA	A8003A

QLogic Fibre Channel HBAs

HP StorageWorks 81Q PCI-e FC HBA Single Port	AK344A
HP StorageWorks 82Q PCI-e FC HBA Dual Port	AJ764A
HP StorageWorks FC1142 4Gb PCI-e HBA	AE311A
HP StorageWorks FC1242 Dual Channel 4Gb PCI-e HBA	AE312A

StorageWorks SCSI HBA

HP U320e SCSI Host Bus Adapter NOTE: Recommended HBA for MSL SCSI Tape Library connect.	AH627A
---	--------

StorageWorks Converged Network Adapter

HP CN1000E 2P Converged Network Adapter	AW520A
---	--------



Additional Options

HP Disk Storage Systems	MSA SAN Storage Arrays	
	HP StorageWorks 60 Modular Smart Array	418408-B21
	NOTE: Supports 12 SFF drives, and SAS 3 Gb/s and SATA 1.5 Gb/s. NOTE: Please see the QuickSpecs for additional options and configuration information at: http://h18000.www1.hp.com/products/quickspecs/12627_div/12627_div.html	
	HP StorageWorks 70 Modular Smart Array	418800-B21
	NOTE: Supports 25 SFF drives, and SAS 3 Gb/s and SATA 1.5 Gb/s. NOTE: Please see the QuickSpecs for additional options and configuration information at: http://h18000.www1.hp.com/products/quickspecs/12652_div/12652_div.html	
	Disk Enclosures	
	HP StorageWorks D2600 Disk Enclosure	AJ940A
	HP StorageWorks D2700 Disk Enclosure	AJ941A
	NOTE: Please see the QuickSpecs for additional options and configuration information at: http://h18000.www1.hp.com/products/quickspecs/13404_div/13404_div.html (Worldwide)	

HP Uninterruptible Power Systems	HP Rack-mountable UPS	
	HP R1500 G2 UPS	
	HP, R1.5kVA UPS, 1U, NA	AF419A
	HP, R1.5kVA UPS, 1U, INTL	AF418A
	HP, R1.5kVA UPS, 1U, JPN/TW	AF421A
	NOTE: Please see the QuickSpecs for Technical Specifications and additional information: http://h18000.www1.hp.com/products/quickspecs/12507_div/12507_div.html (Worldwide)	
	HP R/T3000 Uninterruptible Power System (UPS)	
	HP R/T3000 UPS, High voltage, NA/JPN	AF453A
	HP R/T3000 UPS, High voltage, detachable inlet cord INTL	AF454A
	NOTE: Please see the QuickSpecs for additional information: http://h18000.www1.hp.com/products/quickspecs/13417_div/13417_div.html (Worldwide)	
HP Rack-Mountable R5500 UPS		
HP R5500 VA UPS, INTL	AF416A	
HP R5500 VA UPS, NA/JPN	AF426A	
NOTE: Please see the QuickSpecs for additional information: http://h18000.www1.hp.com/products/quickspecs/13129_div/13129_div.html NOTE: For additional information on HP Uninterruptible Power Systems please go to: www.hp.com/servers/rackups . NOTE: For additional information on sizing your server, please reference: http://www.upsizer.com . NOTE: Please see the UPS and PDU cable matrix's on the HP Power Protection and Management page. Under Power Cords, click on the "HP Power Cord Matrix" link.		



Additional Options

That link will list cable descriptions, requirements, and specifications for UPS and PDU units. Please see the following link: www.hp.com/products/powercords.

HP Power Distribution Units	HP Monitored Power Distribution Unit: Half Rack Version	
	HP 4.9 kVA S124 Monitored PDU- single input, 1Ø, 24A (NA/JPN)	AF914A
	HP 7.3 kVA S132 Monitored PDU- single input, 1Ø, 32A (INTL)	AF915A
	NOTE: Please see the following QuickSpecs for additional information: http://h18000.www1.hp.com/products/quickspecs/12118_div/12118_div.html (Worldwide)	
	HP Monitored Power Distribution Unit: Full Rack Version	
	HP 8.6 kVA S1324 Monitored PDU- single input, 3Ø, 24A (NA/JPN)	AF504A
	HP 8.3 S1140 Monitored PDU- single input, 1Ø, 40A (NA/JPN)	AF506A
	HP 11 kVA S1316 Monitored PDU- single input, 3Ø, 16A (INTL)	AF508A
	HP 7.3 kVA S1132 Monitored PDU- single input, 1Ø, 32A (INTL)	AF510A
	NOTE: Please see the following QuickSpecs for additional information: http://h18000.www1.hp.com/products/quickspecs/12118_div/12118_div.html (Worldwide)	
	Modular Power Distribution Units 1U/0U (Up to 32 outlets)	
	NOTE: 1U/0U mounting brackets shipped with the unit (optimized for 10000 and 9000 series racks).	
	HP Modular Power Distribution Units (mPDU), High Volt Model, 24A (200-240 VAC) (NA, Japan)	252663-D72
8.3kVA Model - mPDU, 40A, High (power cord attached) (NA/JPN)	252663-D73	
HP Modular Power Distribution Units (mPDU), High Volt Model, 32A (200-240 VAC) (Int'l)	252663-B31	
HP Modular Power Distribution Units (mPDU), High Volt Model, 16A (200-240 VAC) (WW)	252663-B24	
NOTE: This PDU has a detachable input power cord and allows for adaptability to country specific power requirements.		
NOTE: Please see the following QuickSpecs for additional options including shorter jumper cables and country specific power cords: http://h18000.www1.hp.com/products/quickspecs/11041_div/11041_div.html (Worldwide)		
NOTE: For additional information on HP Power Distribution Units including accessories please go to: www.hp.com/go/pdu .		
NOTE: Please see the UPS and PDU cable matrix's on the HP Power Protection and Management page. Under Power Cords, click on the "HP Power Cord Matrix" link. That link will list cable descriptions, requirements, and specifications for UPS and PDU units. Please see the following link: www.hp.com/products/powercords .		



Additional Options

HP Rack Series

HP Rack 10000 G2 Series (Carbon/Graphite Metallic)

10642 G2 (42U) Rack Cabinet - Pallet

AF001A

10642 G2 (42U) Rack Cabinet - Shock Pallet

AF002A

NOTE: It is mandatory to use a shock pallet when shipping racks with equipment installed.

NOTE: Please see the QuickSpecs for Technical Specifications and additional information:

http://h18000.www1.hp.com/products/quickspecs/12402_div/12402_div.html
(Worldwide)

NOTE: For additional information regarding Rack Cabinets, please see the following URL: <http://www.hp.com/go/rackandpower>.

NOTE: The increasing power of new high-performance processor technology requires increased cooling efficiency for rack-mounted servers. The 10000 G2 Series Racks provide enhanced airflow for maximum cooling, allowing these racks to be fully loaded with servers using the latest processors.

CAUTION: If a third-party rack is used, observe the following additional requirements to ensure adequate airflow and to prevent damage to the equipment: Front and rear doors: If your 42U server rack includes closing front and rear doors, you must allow 830 square inches (5,350 sq cm) of hole evenly distributed from top to bottom to permit adequate airflow (equivalent to the required 64 percent open area for ventilation). Side: The clearance between the installed rack component and the side panels of the rack must be a minimum of 2.75 inches (7 cm).

CAUTION: Always use blanking panels to fill all remaining empty front panel U-spaces in the rack. This arrangement ensures proper airflow. Using a rack without blanking panels results in improper cooling that can lead to thermal damage.

NOTE: For additional information, refer to the Setup and Installation Guide or the Documentation CD provided with the server, or to the server documentation located in the Support section at the following URL: www.hp.com/servers/dl380. **NOTE:** Quick deploy rail system provides tool-free support for racks with square or round mounting holes (including Compaq/HP 7000, 9000, 10000 G2 and HP series), with an adjustment range of 24" - 36". The ambidextrous cable management arm can be mounted on either the left or right side for improved cable management.

NOTE: High Airflow Inserts (High Air Flow Rack Door Insert for the 7142 Rack (single) - PN: 327281-B21; or High Air Flow Rack Door Insert for the 7142 Rack (6-pack) - PN: 327281-B22) are required to support the HP ProLiant DL380 in 7000 series racks. The DL380 Cable Management Arm is not supported on 7000 series racks.

NOTE: Cable management arm must be removed to access hot-plug power supplies when the cable management arm is mounted on the right.

HP Rack Options

Keyboards and Monitors

HP TFT7600 G2 KVM Console Rackmount Keyboard US Monitor

AZ870A

HP TFT7600 G2 KVM Console Rackmount Keyboard UK Monitor

AZ871A

HP TFT7600 G2 KVM Console Rackmount Keyboard DE Monitor

AZ872A

HP TFT7600 G2 KVM Console Rackmount Keyboard FR Monitor

AZ873A

HP TFT7600 G2 KVM Console Rackmount Keyboard IT Monitor

AZ874A

HP TFT7600 G2 KVM Console Rackmount Keyboard ES Monitor

AZ875A

HP TFT7600 G2 KVM Console Rackmount Keyboard DK Monitor

AZ876A

HP TFT7600 G2 KVM Console Rackmount Keyboard NO Monitor

AZ877A



Additional Options

HP TFT7600 G2 KVM Console Rackmount Keyboard SE/FI Monitor	AZ878A
HP TFT7600 G2 KVM Console Rackmount Keyboard CH Monitor	AZ879A
HP TFT7600 G2 KVM Console Rackmount Keyboard PT Monitor	AZ880A
HP TFT7600 G2 KVM Console Rackmount Keyboard BE Monitor	AZ881A
HP TFT7600 G2 KVM Console Rackmount Keyboard JP Monitor	AZ882A
HP TFT7600 G2 KVM Console Rackmount Keyboard RU Monitor	AZ883A
HP TFT7600 G2 KVM Console Rackmount Keyboard Intl Monitor	AZ884A

NOTE: Please see the [QuickSpecs for Technical Specifications and additional information:](#)

http://h18000.www1.hp.com/products/quickspecs/13731_div/13731_div.html
(Worldwide)

TFT7600 Rackmount Keyboard Monitor US	AG052A
TFT7600 Rackmount Keyboard Monitor UK	AG053A
TFT7600 Rackmount Keyboard Monitor GR	AG054A
TFT7600 Rackmount Keyboard Monitor FR	AG055A
TFT7600 Rackmount Keyboard Monitor IT	AG056A
TFT7600 Rackmount Keyboard Monitor SP	AG057A
TFT7600 Rackmount Keyboard Monitor DEN	AG058A
TFT7600 Rackmount Keyboard Monitor NOR	AG059A
TFT7600 Rackmount Keyboard Monitor SE/FI	AG060A
TFT7600 Rackmount Keyboard Monitor SWI	AG061A
TFT7600 Rackmount Keyboard Monitor PORT	AG062A
TFT7600 Rackmount Keyboard Monitor BEL	AG063A
TFT7600 Rackmount Keyboard Monitor JPN2	AG064A
TFT7600 Rackmount Keyboard Monitor RUS	AG065A
TFT7600 Rackmount Keyboard Monitor INTL	AG066A
HP TAA TFT7600 US Rkmntkybd 17in Monitor	AG067A

NOTE: Please see the [QuickSpecs for Technical Specifications and additional information:](#)

http://h18000.www1.hp.com/products/quickspecs/12417_div/12417_div.html
(Worldwide)

1U Rackmount Keyboard with USB, US	AG072A
1U Rackmount Keyboard with USB, UK	AG073A
1U Rackmount Keyboard with USB, GR	AG074A
1U Rackmount Keyboard with USB, FR	AG075A
1U Rackmount Keyboard with USB, ITL	AG076A
1U Rackmount Keyboard with USB, SP	AG077A
1U Rackmount Keyboard with USB, NOR	AG079A
1U Rackmount Keyboard with USB, SE/FI	AG080A
1U Rackmount Keyboard with USB, SWI	AG081A
1U Rackmount Keyboard with USB, PORT	AG082A
1U Rackmount Keyboard with USB, BEL	AG083A
1U Rackmount Keyboard with USB, JPN2	AG084A



Additional Options

1U Rackmount Keyboard with USB, RUS	AG085A
1U Rackmount Keyboard with USB, INTL	AG086A

NOTE: Please see the QuickSpecs for Technical Specifications and additional information:

http://h18000.www1.hp.com/products/quickspecs/12465_div/12465_div.html
(Worldwide)

HP Server Console Switches

HP Server console switch 0x2x8	AF616A
HP Server console switch 0x2x16	AF617A

NOTE: Please see the QuickSpecs for Technical Specifications and additional information:

http://h18000.www1.hp.com/products/quickspecs/11834_div/11834_div.html
(Worldwide)

HP Server Console Switch G2 with Virtual Media & CAC

0x2x16 KVM Server Console G2 Switch with Virtual Media and CAC	AF618A
0x2x32 KVM Server Console G2 Switch with Virtual Media and CAC	AF619A

NOTE: Please see the QuickSpecs for Technical Specifications and additional information:

http://h18000.www1.hp.com/products/quickspecs/13475_div/13475_div.html
(Worldwide)

HP IP Console Switch G2 with Virtual Media & CAC

1x1Ex8 KVM IP Console Switch G2 with Virtual Media and CAC	AF620A
2x1Ex16 KVM IP Console Switch G2 with Virtual Media and CAC	AF621A
4x1Ex32 KVM IP Console Switch G2 with Virtual Media and CAC	AF622A

NOTE: Please see the QuickSpecs for Technical Specifications and additional information:

http://h18000.www1.hp.com/products/quickspecs/13474_div/13474_div.html
(Worldwide)

HP USB and SD Options	HP USB 2-Button Optical Scroll Mouse (Carbonite/Silver)	DC172B
	HP USB 04 Standard Keyboard	DT528A#ABA
	HP 4GB SD Flash Media Kit	580387-B21

NOTE: Blank SD media device is supported for use with VMware and Citrix. SD media must be installed in the internal slot of the ProLiant server. Learn more at: <http://www.hp.com/go/proliantvirtualization>.

HP 2GB USB Flash Media Drive Key	608447-B21
----------------------------------	------------

NOTE: HP qualified blank USB key for use with HP ProLiant servers that support the VMware virtualization environment and other HP value-add software like SmartStart. HP recommends this industry standard USB flash device for use with VMware ESXi. USB device must be installed in the internal slot of the ProLiant server for use with VMware ESXi. Refer to [HP VMware Getting Started Guide](#) for installation instructions.



Additional Options

HP Care Pack Services	Hardware Services On-site Service	
	4-Hour On-site Service, 5-Day x 13-Hour Coverage, 3 Years, Electronic	U4544E
	4-Hour On-site Service, 7-Day x 24-Hour Coverage, 3 Years, Electronic	U4545E
	Hardware Services 6-Hour Call to Repair On-site Service	
	6-Hour Call to Repair, On-site Service, 7-Day x 24-Hour Coverage, 3 Years, Electronic	U4546E
	Installation & Start-up Services	
	Hardware Installation, Electronic	U4554E
	Installation & Start-Up of a ProLiant server and Microsoft or Linux O/S per the Customer Description and/or Data Sheet. To be delivered on a scheduled basis 8am-5pm, M-F, excl. HP holidays, Electronic	U4555E
	Installation and Startup for Essentials Rapid Deployment Pack, Electronic	U5683E
	Support Plus	
	Onsite HW support, 8am-9pm, M-F, 4hr response and Microsoft O/S SW Tech support offsite, onsite at HP's discretion, 8am-9pm, M-F 2hr response time excl. HP holidays, Electronic	U4556E
	Support Plus 24	
Onsite HW support 24x7, 4hr response and Microsoft O/S SW Tech support offsite, onsite at HP's discretion, 24x7 2hr response time incl. HP holidays, Electronic	U4557E	
Onsite HW support 24x7, 4hr response and SuSE Linux SW Tech support offsite, onsite at HP's discretion, 24x7 2hr response time incl. HP holidays, Electronic	U6312E	

NOTE: For more information, customer/resellers can contact:
<http://www.hp.com/services/carepack>



Memory

NOTE: Memory configurations listed do not apply to "Factory Integrated Models".

DDR3 memory population guidelines

For detailed memory configuration rules and guidelines, please use the Online DDR3 Memory Configuration Tool:
www.hp.com/go/ddr3memory-configurator

Some DIMM installation guidelines are summarized below:

- For servers with eighteen (18) memory slots:
 - There are three (3) channels per processor; six (6) channels per server
 - There are three (3) DIMM slots for each memory channel; eighteen (18) total slots
 - Memory channel 1 consists of the three (3) DIMMs that are closest to the processor
 - Memory channel 3 consists of the three (3) DIMMs that are furthest from the processor
- DIMM slots that are white should be populated first
- Do not mix Unbuffered memory (UDIMMs) with Registered memory (RDIMMs)
- Do not install DIMMs if the corresponding processor is not installed
- If only one processor is installed in a 2CPU system, only half of the DIMM slots are available
- To maximize performance, balance the total memory capacity between all installed processors
- It is not required, but it is recommended to load the channels similarly if possible
- You can only have up to eight (8) ranks installed per channel
- You can only install two quad-rank DIMMs per channel
- You can only install two UDIMMs per channel; if available, the third slot in the channel must remain empty
- Populate DIMMs from heaviest load (quad-rank) to lightest load (single-rank) within a channel
- Heaviest load (DIMM with most ranks) within a channel goes furthest from the chipset
- For memory mirroring mode, channel 3 must be unpopulated. Channels 1 and 2 are populated identically
- For lock-step mode, channel 3 must be unpopulated. DIMMs in channels 1 and 2 will be installed in pairs. The paired slots will be 1,4; 2,5; 3,6 on a 3DPC system or 1,4; 2,5; on a 2DPC system
- No mixing DIMM voltage; all DIMMs must be the same voltage

DIMM Type ->	Registered Dimms (RDIMMs)						Unbuffered with ECC DIMMs (UDIMMs)		
	Dual Rank (2R)				Quad Rank (4R)		Single Rank (1R)	Dual Rank (2R)	
DIMM Rank ->									
DIMM Capacity ->	2GB	4GB	8GB	8GB	4GB	16GB	1GB	2GB	4GB
DIMM Native Speed (MHz) ->	1333	1333	1066	1333	1066	1066	1333	1333	1333
SLOTS THAT CAN BE POPULATED									
18 slot servers	18	18	18	18	12	12	12	12	12
MAXIMUM CAPACITY (GB)									
18 slot servers	36	72	144	144	48	192	12	24	48
POPULATED DIMM SPEED (MHz)									
1 DIMM Per Channel	1333	1333	1066	1333	1066	1066	1333	1333	1333
2 DIMM Per Channel	1333*	1333*	1066	1333*	800	800	1333	1333	1333
3 DIMM Per Channel	800	800	800	800	*	n/a	n/a	n/a	n/a
* - supported with ROM update via ROM Based Setup Utility (RBSU). UDIMM support is only on 12-slot servers									

NOTES:

- Mixing DIMM speeds is allowed, but the system processor dimm speed rules always override the DIMM capabilities



Memory

- If you do mix DIMM speeds, the memory bus will default to the minimum clock rate of all DIMMs in the system - even if the slower DIMM is on the other processor
- If you install 1x 1066MHz DIMM in channel 1 and 1x 1333MHz DIMM in channel 2, you still run at 1066MHz
- If you install 1x 1066MHz DIMM in channel 1 and 5x 1333MHz DIMMs with 1 DIMM Per Channel (DPC) in each of the other channels, you run at 1066MHz
- If you install 3DPC in one channel (if applicable) and 1DPC in all other channels, you run at 800MHz
- 95 Watt CPU's are required for 1333MHz DIMM speeds. All other CPU's are capable of up to 1066MHz
- References to the above MHz speeds are for the various speeds of DDR3 DIMMs; 1333 refers to DDR3-1333, etc.

DIMM slot and configuration diagrams

Basic memory slot & population diagram

- Population order; start with "A" first, "B" second, "C" third, etc.

18 DIMM SLOTS (9 per CPU node)					
	CPU1		CPU2		
	slot #	population order	slot #	population order	
Chnl 1	1	G	1	G	Chnl 1
	2	D	2	D	
	3	A	3	A	
Chnl 2	4	H	4	H	Chnl 2
	5	E	5	E	
	6	B	6	B	
Chnl 3	7	I	7	I	Chnl 3
	8	F	8	F	
	9	C	9	C	

Standard memory configuration (1 CPU model)

- 6GB, consisting of three (3) 2GB dual-rank PC3-10600 RDIMMs

	CPU1		CPU2		
	slot #	population order	slot #	population order	
Chnl 1	1	G; empty	1	G; empty	Chnl 1
	2	D; empty	2	D; empty	
	3	A; 2GB DIMM	3	A; empty	
Chnl 2	4	H; empty	4	H; empty	Chnl 2
	5	E; empty	5	E; empty	
	6	B; 2GB DIMM	6	B; empty	
Chnl 3	7	I; empty	7	I; empty	Chnl 3
	8	F; empty	8	F; empty	
	9	C; 2GB DIMM	9	C; empty	



Memory

Standard memory plus optional memory (1 CPU model)

- 54GB, consisting of three (3) 2GB RDIMMs plus six (6) 8GB RDIMMs
 - 3x 2GB dual-rank PC3-10600 RDIMMs
 - 6x 8GB dual-rank PC3-8500 RDIMMs

	CPU1		CPU2		
	slot #	population order	slot #	population order	
Chnl 1	1	G; 8GB DIMM	1	G; empty	Chnl 1
	2	D; 8GB DIMM	2	D; empty	
	3	A; 2GB DIMM	3	A; empty	
Chnl 2	4	H; 8GB DIMM	4	H; empty	Chnl 2
	5	E; 8GB DIMM	5	E; empty	
	6	B; 2GB DIMM	6	B; empty	
Chnl 3	7	I; 8GB DIMM	7	I; empty	Chnl 3
	8	F; 8GB DIMM	8	F; empty	
	9	C; 2GB DIMM	9	C; empty	

Standard memory replaced with optional memory (1 CPU model)

RDIMM maximum configuration (1 CPU model)

- 96GB, consisting of six (6) 16GB quad-rank PC3-8500 RDIMMs

	CPU1		CPU2		
	slot #	population order	slot #	population order	
Chnl 1	1	G; empty	1	G; empty	Chnl 1
	2	D; 16GB DIMM	2	D; empty	
	3	A; 16GB DIMM	3	A; empty	
Chnl 2	4	H; empty	4	H; empty	Chnl 2
	5	E; 16GB DIMM	5	E; empty	
	6	B; 16GB DIMM	6	B; empty	
Chnl 3	7	I; empty	7	I; empty	Chnl 3
	8	F; 16GB DIMM	8	F; empty	
	9	C; 16GB DIMM	9	C; empty	

UDIMM maximum configuration (1 CPU model)

- 12GB, consisting of six (6) 2GB dual-rank PC3-10600 UDIMMs



Memory

	CPU1		CPU2		
	slot #	population order	slot #	population order	
Chnl 1	1	G; empty	1	G; empty	Chnl 1
	2	D; 2GB DIMM	2	D; empty	
	3	A; 2GB DIMM	3	A; empty	
Chnl 2	4	H; empty	4	H; empty	Chnl 2
	5	E; 2GB DIMM	5	E; empty	
	6	B; 2GB DIMM	6	B; empty	
Chnl 3	7	I; empty	7	I; empty	Chnl 3
	8	F; 2GB DIMM	8	F; empty	
	9	C; 2GB DIMM	9	C; empty	

Standard memory replaced with optional memory (2 CPU model) RDIMM maximum configuration (2 CPU model)

- 192GB, consisting of twelve (12) 16GB quad-rank PC3-8500 RDIMMs

	CPU1		CPU2		
	slot #	population order	slot #	population order	
Chnl 1	1	G; empty	1	G; empty	Chnl 1
	2	D; 16GB DIMM	2	D; 16GB DIMM	
	3	A; 16GB DIMM	3	A; 16GB DIMM	
Chnl 2	4	H; empty	4	H; empty	Chnl 2
	5	E; 16GB DIMM	5	E; 16GB DIMM	
	6	B; 16GB DIMM	6	B; 16GB DIMM	
Chnl 3	7	I; empty	7	I; empty	Chnl 3
	8	F; 16GB DIMM	8	F; 16GB DIMM	
	9	C; 16GB DIMM	9	C; 16GB DIMM	

UDIMM maximum configuration

- 48GB, consisting of twelve (12) 4GB dual-rank PC3-10600 UDIMMs

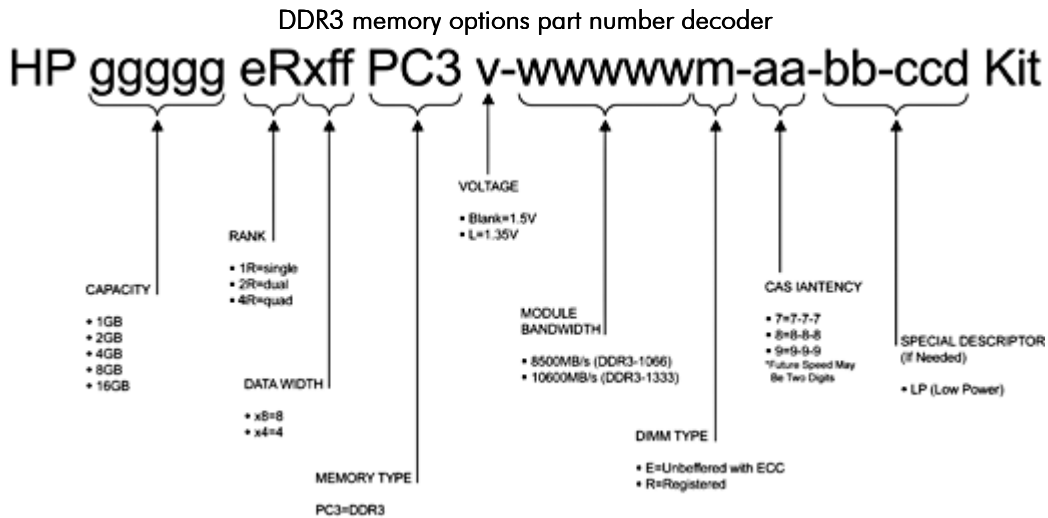


Memory

	CPU1		CPU2		
	slot #	population order	slot #	population order	
Chnl 1	1	G; empty	1	G; empty	Chnl 1
	2	D; 4GB DIMM	2	D; 4GB DIMM	
	3	A; 4GB DIMM	3	A; 4GB DIMM	
Chnl 2	4	H; empty	4	H; empty	Chnl 2
	5	E; 4GB DIMM	5	E; 4GB DIMM	
	6	B; 4GB DIMM	6	B; 4GB DIMM	
Chnl 3	7	I; empty	7	I; empty	Chnl 3
	8	F; 4GB DIMM	8	F; 4GB DIMM	
	9	C; 4GB DIMM	9	C; 4GB DIMM	

NOTE: Capacity references are rounded to the common Gigabyte values.

- 1GB = 1024MB
- 2GB = 2048MB
- 4GB = 4096MB
- 8GB = 8192MB
- 16GB = 16384MB



Memory

Following are memory options available from HP:

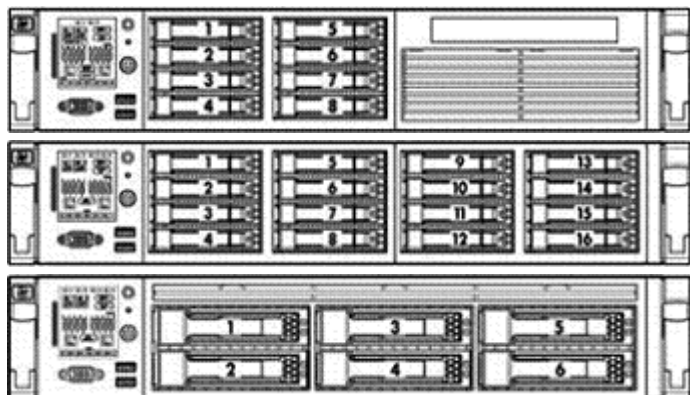
HP Memory	Registered DIMMs (RDIMMs)	
	HP 2GB (1x2GB) Dual Rank x8 PC3-10600 (DDR3-1333) Registered CAS-9 Memory Kit	500656-B21
	HP 4GB (1x4GB) Dual Rank x4 PC3-10600 (DDR3-1333) Registered CAS-9 Memory Kit	500658-B21
	HP 4GB (1x4GB) Quad Rank x8 PC3-8500 (DDR3-1066) Registered CAS-7 Low Power Memory Kit	500660-B21
	HP 8GB (1x8GB) Dual Rank x4 PC3-8500 (DDR3-1066) Registered CAS-7 Memory Kit	516423-B21
	HP 8GB (1x8GB) Dual Rank x4 PC3-10600 (DDR3-1333) Registered CAS-9 Memory Kit	500662-B21
	HP 16GB (1x16GB) Quad Rank x4 PC3-8500 (DDR3-1066) Registered CAS-7 Memory Kit	500666-B21
	Unbuffered with ECC DIMMs (UDIMMs)	
	HP 1GB (1x1GB) Single Rank x8 PC3-10600 (DDR3-1333) Unbuffered CAS-9 Memory Kit	500668-B21
	HP 2GB (1x2GB) Dual Rank x8 PC3-10600 (DDR3-1333) Unbuffered CAS-9 Memory Kit	500670-B21
	HP 4GB (1x4GB) Dual Rank x8 PC3-10600 (DDR3-1333) Unbuffered CAS-9 Memory Kit	500672-B21

NOTE: All DDR3 memory option kits consist of one DIMM per kit. For detailed memory configuration rules and guidelines, please use the Online DDR3 Memory Configuration Tool: www.hp.com/go/ddr3memory-configurator.

NOTE: Kits described as LP include Low Power DIMMs. For more information on ProLiant Energy Efficient Features, see: www.hp.com/go/proliant-energy-efficient



Storage



1-8 Eight SFF SAS hot plug hard drive bays

1-16 Sixteen SFF SAS hot plug hard drive bays
NOTE: This configuration does not support optical drive.

1-6 Six LFF SAS hot plug hard drive bays
NOTE: This configuration does not support optical drive.

Drive Support

	Quantity Supported	Position Supported	Controller
Removable Media			
HP Slim SATA DVD RW Optical Drive NOTE: Included in performance models.	Only 1 available removable media bay	Slimline bay	Integrated SATA NOTE: Optional
HP Slim SATA DVD-ROM Optical Drive	Only 1 available removable media bay	Slimline bay	Integrated SATA NOTE: Optional

Hard Drives

NOTE: The components of a storage subsystem (e.g. the drive, the HBA/controller, firmware, and the server backplane) should operate at the same data transfer rate or the system bandwidth will be negotiated down to an acceptable level for all components.

NOTE: Hard drives have either a one year or three year warranty; refer to the specific hard drive QuickSpecs for details.

SAS Hot Plug SFF (2.5-inch) Enterprise (ENT) Drives

	Quantity Supported	Position Supported	Controller
300GB 3G SAS 10K DP	Up to 8	1-8	HP Smart Array P800/512 BBWC Controller
300GB 6G SAS 10K DP			HP Smart Array P212/Zero Memory Controller
146GB 6G SAS 10K DP			HP Smart Array P212/ 256 MB Controller
146GB 6G SAS 15K DP			HP Smart Array P410/256 MB Controller
146GB 3G SAS 15K DP			HP Smart Array P410/512 MB BBWC Controller
146GB 3G SAS 10K DP			HP Smart Array P410/512 MB FBWC Controller
72GB 6G SAS 15K DP			HP Smart Array P410/1G FBWC Controller
72GB 3G SAS 15K DP			HP Smart Array P411/256 MB Controller
			HP Smart Array P411/512 MB BBWC Controller
			HP Smart Array P411/512 MB FBWC Controller
	HP Smart Array P411/1G FBWC Controller		
	HP Smart Array P812/1G Flash Backed Cache Controller		

NOTE: Second SFF drive cage requires second controller or HP SAS Expander Card (PN 468406-B21).



Storage

SAS Hot Plug LFF (3.5-inch) Enterprise (ENT) Drives

	Quantity Supported	Position Supported	Controller
600GB 6G SAS 15K DP	Up to 6	1-6	HP Smart Array P800/512 BBWC Controller
450GB 6G SAS 15K DP			HP Smart Array P212/Zero Memory Controller
450GB 3G SAS 15K DP			HP Smart Array P212/ 256 MB Controller
300GB 6G SAS 15K DP			HP Smart Array P410/256 MB Controller
300GB 3G SAS 15K DP			HP Smart Array P410/512 MB BBWC Controller
146GB 3G SAS 15K DP			HP Smart Array P410/512 MB FBWC Controller
			HP Smart Array P410/1G FBWC Controller
			HP Smart Array P411/256 MB Controller
			HP Smart Array P411/512 MB BBWC Controller
			HP Smart Array P411/512 MB FBWC Controller
			HP Smart Array P411/1G FBWC Controller
			HP Smart Array P812/1G Flash Backed Cache Controller

SAS Hot Plug SFF (2.5-inch) Midline (MDL) Drives

	Quantity Supported	Position Supported	Controller
500GB 6G SAS 7.2K DP	Up to 8	1-8	HP Smart Array P800/512 BBWC Controller
			HP Smart Array P212/Zero Memory Controller
			HP Smart Array P212/ 256 MB Controller
			HP Smart Array P410/256 MB Controller
			HP Smart Array P410/512 MB BBWC Controller
			HP Smart Array P410/512 MB FBWC Controller
			HP Smart Array P410/1G FBWC Controller
			HP Smart Array P411/256 MB Controller
			HP Smart Array P411/512 MB BBWC Controller
			HP Smart Array P411/512 MB FBWC Controller
			HP Smart Array P411/1G FBWC Controller
			HP Smart Array P812/1G Flash Backed Cache Controller

SAS Hot Plug LFF (3.5-inch) Midline (MDL) Drives

	Quantity Supported	Position Supported	Controller
2TB 6G SAS 7.2K DP	Up to 6	1-6	HP Smart Array P800/512 BBWC Controller
1TB 6G SAS 7.2K DP			HP Smart Array P212/Zero Memory Controller
1TB 3G SAS 7.2K DP			HP Smart Array P212/ 256 MB Controller
750GB 3G SAS 7.2K DP			HP Smart Array P410/256 MB Controller
			HP Smart Array P410/512 MB BBWC Controller
			HP Smart Array P410/512 MB FBWC Controller
			HP Smart Array P410/1G FBWC Controller
			HP Smart Array P411/256 MB Controller
			HP Smart Array P411/512 MB BBWC Controller
			HP Smart Array P411/512 MB FBWC Controller
			HP Smart Array P411/1G FBWC Controller
			HP Smart Array P812/1G Flash Backed Cache Controller

SATA Hot Plug SFF (2.5-inch) Midline (MDL) Drives

	Quantity Supported	Position Supported	Controller
500GB 3G SATA 7.2K	Up to 8	1-8	HP Smart Array P800/512 BBWC Controller



Storage

160GB 3G SATA 7.2K

HP Smart Array P212/Zero Memory Controller
 HP Smart Array P212/ 256 MB Controller
 HP Smart Array P410/256 MB Controller
 HP Smart Array P410/512 MB BBWC Controller
 HP Smart Array P410/512 MB FBWC Controller
 HP Smart Array P410/1G FBWC Controller
 HP Smart Array P411/256 MB Controller
 HP Smart Array P411/512 MB BBWC Controller
 HP Smart Array P411/512 MB FBWC Controller
 HP Smart Array P411/1G FBWC Controller
 HP Smart Array P812/1G Flash Backed Cache Controller

SATA Hot Plug LFF (3.5-inch) Midline (MDL) Drives

	Quantity Supported	Position Supported	Controller
2TB 3G SATA 7.2K	Up to 6	1-6	HP Smart Array P800/512 BBWC Controller
1TB 3G SATA 7.2K			HP Smart Array P212/Zero Memory Controller
500GB 3G SATA 7.2K			HP Smart Array P212/ 256 MB Controller
			HP Smart Array P410/256 MB Controller
			HP Smart Array P410/512 MB BBWC Controller
			HP Smart Array P410/512 MB FBWC Controller
			HP Smart Array P410/1G FBWC Controller
			HP Smart Array P411/256 MB Controller
			HP Smart Array P411/512 MB BBWC Controller
			HP Smart Array P411/512 MB FBWC Controller
			HP Smart Array P411/1G FBWC Controller
			HP Smart Array P812/1G Flash Backed Cache Controller

SATA Hot Plug SFF (2.5-inch) Entry (ETY) Drives

	Quantity Supported	Position Supported	Controller
250GB 3G SATA 5.4K	Up to 8	1-8	HP Smart Array P800/512 BBWC Controller
120GB 1.5G SATA 5.4K			HP Smart Array P212/Zero Memory Controller
			HP Smart Array P212/ 256 MB Controller
			HP Smart Array P410/256 MB Controller
			HP Smart Array P410/512 MB BBWC Controller
			HP Smart Array P410/512 MB FBWC Controller
			HP Smart Array P410/1G FBWC Controller
			HP Smart Array P411/256 MB Controller
			HP Smart Array P411/512 MB BBWC Controller
			HP Smart Array P411/512 MB FBWC Controller
			HP Smart Array P411/1G FBWC Controller
			HP Smart Array P812/1G Flash Backed Cache Controller

NOTE: Second SFF drive cage requires second controller or HP SAS Expander Card (PN 468406-B21).

SATA Hot Plug LFF (3.5-inch) Entry (ETY) Drives

	Quantity Supported	Position Supported	Controller
250GB 3G SATA 7.2K	Up to 6	1-6	HP Smart Array P800/512 BBWC Controller
160GB 3G SATA 7.2K			HP Smart Array P212/Zero Memory Controller
			HP Smart Array P212/ 256 MB Controller
			HP Smart Array P410/256 MB Controller
			HP Smart Array P410/512 MB BBWC Controller



Storage

HP Smart Array P410/512 MB FBWC Controller
 HP Smart Array P410/1G FBWC Controller
 HP Smart Array P411/256 MB Controller
 HP Smart Array P411/512 MB BBWC Controller
 HP Smart Array P411/512 MB FBWC Controller
 HP Smart Array P411/1G FBWC Controller
 HP Smart Array P812/1G Flash Backed Cache Controller

SATA Hot Plug Midline (MDL) Solid State Drives

	Quantity Supported	Position Supported	Controller
60GB 3.0G SATA SSD	Up to 8	1-8	HP Smart Array P212/Zero Memory Controller
120GB 3.0G SATA SSD			HP Smart Array P212/ 256 MB Controller
			HP Smart Array P410/256 MB Controller
			HP Smart Array P410/512 MB BBWC Controller
			HP Smart Array P410/512 MB FBWC Controller
			HP Smart Array P410/1G FBWC Controller
			HP Smart Array P411/256 MB Controller
			HP Smart Array P411/512 MB BBWC Controller
			HP Smart Array P411/512 MB FBWC Controller
			HP Smart Array P411/1G FBWC Controller
			HP Smart Array P812/1G Flash Backed Cache Controller

SATA Hot Plug 3.5" Midline (MDL) Solid State Drives

	Quantity Supported	Position Supported	Controller
60GB 3.0G SATA SSD	Up to 6	1-6	HP Smart Array P212/Zero Memory Controller
120GB 3.0G SATA SSD			HP Smart Array P212/ 256 MB Controller
			HP Smart Array P410/256 MB Controller
			HP Smart Array P410/512 MB BBWC Controller
			HP Smart Array P410/512 MB FBWC Controller
			HP Smart Array P410/1G FBWC Controller
			HP Smart Array P411/256 MB Controller
			HP Smart Array P411/512 MB BBWC Controller
			HP Smart Array P411/512 MB FBWC Controller
			HP Smart Array P411/1G FBWC Controller
			HP Smart Array P812/1G Flash Backed Cache Controller



Storage

External Storage

	Quantity Supported	Position Supported	Host Controller or Adapter
60 Modular Smart Array	Up to 4	External	HP Smart Array P212/ 256 MB Controller
	Up to 8	External	HP Smart Array P411/256 MB Controller
			HP Smart Array P411/512 MB BBWC Controller
			HP Smart Array P411/512 MB FBWC Controller
			HP Smart Array P411/1G FBWC Controller
			HP Smart Array P800/512 BBWC Controller
			HP Smart Array P812/1G Flash Backed Cache Controller
70 Modular Smart Array	Up to 2	External	HP Smart Array P212/ 256 MB Controller
	Up to 4	External	HP Smart Array P411/256 MB Controller
			HP Smart Array P411/512 MB BBWC Controller
			HP Smart Array P411/512 MB FBWC Controller
			HP Smart Array P411/1G FBWC Controller
			HP Smart Array P800/512 BBWC Controller
			HP Smart Array P812/1G Flash Backed Cache Controller
D2600 Disk Enclosure	Up to 4	External	HP Smart Array P212/ 256 MB Controller
	Up to 8	External	HP Smart Array P411/256 MB Controller
			HP Smart Array P411/512 MB BBWC Controller
			HP Smart Array P411/512 MB FBWC Controller
			HP Smart Array P411/1G FBWC Controller
			HP Smart Array P812/1G Flash Backed Cache Controller
D2700 Disk Enclosure	Up to 2	External	HP Smart Array P212/ 256 MB Controller
	Up to 4	External	HP Smart Array P411/256 MB Controller
			HP Smart Array P411/512 MB BBWC Controller
			HP Smart Array P411/512 MB FBWC Controller
			HP Smart Array P411/1G FBWC Controller
			HP Smart Array P812/1G Flash Backed Cache Controller

Maximum Storage Capacity - (with MSA50, SAS HDD)

Internal	8.0TB (16 x 500GB SAS SFF with addition 8 SFF drive cage)
External	5.0TB (20 x 250GB SAS SFF)
Total	13.0TB

Maximum Storage Capacity - (with MSA50, SATA HDD)

Internal	8.0TB (16 x 500GB SATA SFF with additional 8 SFF drive cage)
External	5.0TB (20 x 250GB SATA SFF)
Total	13.0TB

Tape and Disk Backup

NOTE: For the complete range of StorageWorks tape drives, autoloaders, libraries and media, including the internal fitting models, see: <http://www.hp.com/go/tape>. For the complete range of StorageWorks D2D Backup Systems see: <http://www.hp.com/go/d2d>. For the complete range of StorageWorks RDX drives and media see: <http://www.hp.com/go/rdx>. For hardware and software compatibility of HP StorageWorks disk and tape backup products see: <http://www.hp.com/go/connect>.



Storage

	Position Supported	Controller	Part Number
HP StorageWorks SCSI Tape Drives LTO-1 Ultrium 232 LTO-2 Ultrium 448 LTO-3 Ultrium 920 LTO-3 Ultrium 960 LTO4 Ultrium 1760 LTO-4 Ultrium 1840 DAT 40 DAT 72 DAT 160 1U Rack-Mount Kit 3U Rack-Mount Kit	External	HP SC11Xe Ultra320 Single Channel/ PCIe x4 SCSI Host Bus Adapter NOTE: Please check the full compatibility information at: http://www.hp.com/go/connect	412911-B21
HP StorageWorks USB Tape Drives DAT 40 DAT 72 DAT 160 DAT 320 1U USB Rack-Mount Kit	External	USB 2.0 Port	N/A
HP StorageWorks SAS Tape Drives DAT 160 DAT 320 LTO-2 Ultrium 448 LTO-3 Ultrium 920 LTO-4 Ultrium 1760 LTO-4 Ultrium 1840 LTO-5 Ultrium 3000 LTO-5 Ultrium 3280 1U Rack-Mount Kit 3U Rack-Mount Kit	External	HP Smart Array P212/ZM 1-ports Int/1-ports Ext PCIe x8 SAS Controller NOTE: Please check the full compatibility information at: http://www.hp.com/go/connect	462828-B21
HP StorageWorks SCSI Tape Autoloaders DAT 72x10 Autoloader 1/8 G2 Autoloader	External	HP SC11Xe Ultra320 Single Channel/ PCIe x4 SCSI Host Bus Adapter NOTE: Please check the full compatibility information at: http://www.hp.com/go/connect	412911-B21
HP StorageWorks SCSI Tape Libraries MSL2024 MSL4048 MSL8096 MSL6000	External	HP U320e SCSI Dual Channel Controller NOTE: Please check the full compatibility information at: http://www.hp.com/go/connect	AH627A



Storage

<p>HP StorageWorks SAS Tape Autoloaders and Libraries 1/8 G2 Autoloader MSL2024 MSL4048 MSL8096</p>	External	<p>HP Smart Array P212/ZM 1-ports Int/1-ports Ext PCIe x8 SAS Controller</p> <p>NOTE: Please check the full compatibility information at: http://www.hp.com/go/connect</p>	462828-B21
<p>HP StorageWorks Fibre Channel Tape Libraries MSL2024 MSL4048 MSL8096 MSL6000</p>	External	<p>Please consult the EBS connectivity matrix at: http://www.hp.com/go/ebs for detailed connectivity information.</p>	N/A
<p>HP StorageWorks USB RDX Removable Disk Backup System RDX160 RDX320 RDX500 RDX750</p>	Internal or External	USB 2.0	N/A
<p>HP StorageWorks D2D Backup Systems, iSCSI D2D2500i D2D4000i</p>	External	<p>Embedded Network Controller. If the server requires a hardware iSCSI initiator, the QLogic QLA4050 Host Bus Adapter is recommended.</p>	
<p>HP StorageWorks D2D Backup Systems, Fibre Channel D2D4000fc</p>	External	<p>Direct server attach is not supported, requires connection via SAN fabric. See: http://www.hp.com/go/connect</p>	

Power Specifications

HP 460W HE 12V Hot Plug AC Power Supply Kit							
Part Number	503296-B21						
Input Voltage Range (V rms)	100 to 240						
Frequency Range (Nominal) (Hz)	50/60						
Nominal Input Voltage (Vrms)	100	120	200	208	220	230	240
Maximum Rated Output Wattage Rating	460	460	460	460	460	460	460
Nominal Input Current (A rms)	5.5	4.5	2.6	2.5	2.4	2.3	2.2
Maximum Rated Input Wattage Rating (Watts)	526	520	505	505	503	503	503
Maximum Rated VA (Volt-Amp)	548	542	527	527	524	524	524
Efficiency (%)	87.5	88.5	91	91	91.5	91.5	91.5
Power Factor	0.97						
Leakage Current (mA)	0.42	0.50	0.83	0.87	0.92	0.96	1.00
Maximum Inrush Current (A peak)	30						
Maximum Inrush Current duration (mS)	20						
Maximum British Thermal Unit Rating (BTU-Hr)	1794	1773	1725	1725	1715	1715	1715

HP 750W Common Slot High Efficiency Power Supply Kit							
Part Number	512327-B21						
Input Voltage Range (V rms)	100 to 240						
Frequency Range (Nominal) (Hz)	50/60						
Nominal Input Voltage (Vrms)	100	120	200	208	220	230	240
Maximum Rated Output Wattage Rating	750	750	750	750	750	750	750
Nominal Input Current (A rms)	8.9	7.4	4.3	4.1	3.9	3.7	3.6
Maximum Rated Input Wattage Rating (Watts)	857	847	824	824	820	820	820
Maximum Rated VA (Volt-Amp)	894	884	859	854	854	854	
Efficiency (%)	87.5	88.5	91	91	91.5	91.5	91.5
Power Factor	0.97						
Leakage Current (mA)	0.42	0.50	0.83	0.87	0.92	0.96	1.00
Maximum Inrush Current (A peak)	30						
Maximum Inrush Current duration (mS)	20						
Maximum British Thermal Unit Rating (BTU-Hr)	2925	2892	2812	2812	2797	2797	2797



Power Specifications

HP 1200W 12V Hot Plug AC Power Supply							
Part Number	500172-B21						
Input Voltage Range (V rms)	100 to 240						
Frequency Range (Nominal) (Hz)	50/60						
Nominal Input Voltage (Vrms)	100	120	200	208	220	230	240
Maximum Rated Output Wattage Rating	800	900	1200	1200	1200	1200	1200
Nominal Input Current (A rms)	9.7	9.0	7.0	6.8	6.4	6.1	5.9
Maximum Rated Input Wattage Rating (Watts)	930	1034	1348	1348	1348	1348	1348
Maximum Rated VA (Volt-Amp)	970	1079	1406	1406	1406	1406	1406
Efficiency (%)	86	87	89	89	89	89	89
Power Factor	0.97						
Leakage Current (mA)	0.42	0.50	0.83	0.87	0.92	0.96	1.00
Maximum Inrush Current (A peak)	30						
Maximum Inrush Current duration (mS)	20						
Maximum British Thermal Unit Rating (BTU-Hr)	3174	3530	4600	4600	4600	4600	4600

HP 1200W Common Slot High Efficiency Power Supply Kit							
Part Number	578322-B21						
Input Voltage Range (V rms)	100 to 240						
Frequency Range (Nominal) (Hz)	50/60						
Nominal Input Voltage (Vrms)	100	120	200	208	220	230	240
Maximum Rated Output Wattage Rating	800	900	1200	1200	1200	1200	1200
Nominal Input Current (A rms)	9.3	8.6	6.7	6.5	6.1	5.8	5.6
Maximum Rated Input Wattage Rating (Watts)	889	989	1290	1290	1290	1290	1290
Maximum Rated VA (Volt-Amp)	927	1031	1345	1345	1345	1345	1345
Efficiency (%)	90	91	93	93	93	93	93
Power Factor	0.97						
Leakage Current (mA)	0.42	0.50	0.83	0.87	0.92	0.96	1.00
Maximum Inrush Current (A peak)	30						
Maximum Inrush Current duration (mS)	20						
Maximum British Thermal Unit Rating (BTU-Hr)	3033	3375	4403	4403	4403	4403	4403



Power Specifications

HP 1200W-48V DC Common Slot Power Supply			
Part Number	437573-B21		
Input Voltage Range (V rms)	36-72		
Frequency Range (Nominal) (Hz)	DC		
Nominal Input Voltage (Vrms)	36	48	72
Maximum Rated Output Wattage Rating	1200	1200	1200
Nominal Input Current (A rms)	38	28	19
Maximum Rated Input Wattage Rating (Watts)	1380	1350	1365
Maximum Rated VA (Volt-Amp)	1380	1350	1365
Efficiency (%)	87	89	88
Power Factor	N/A		
Leakage Current (mA)	N/A		
Maximum Inrush Current (A peak)	20	25	35
Maximum Inrush Current duration (mS)	1	1	3
Maximum British Thermal Unit Rating (BTU-Hr)	4713	4610	4662

NOTES: To review typical system power ratings use the HP Power Advisor which is available online located at url: www.hp.com/go/proliant-energy-efficient or www.hp.com/go/hppoweradvisor



Technical Specifications

System Unit	Dimensions (H x W x D) (with bezel)	SFF Drives: 3.38 x 17.54 x 27.25 in (8.59 x 44.55 x 69.22 cm) LFF Drives: 3.38 x 17.54 x 29.25 in (8.59 x 44.55 x 74.30 cm)	
	Weight (approximate)	Maximum (all hard drives, power supply, and processor installed)	60.00 lb (27.27 kg)
		Minimum (one hard drive, power supply, and processor installed)	47.18 lb (21.45 kg)
	Input Requirements (per power supply)	Rated Line Voltage	100 to 120 VAC 200 to 240 VAC
		Rated Input Current	For 1200 W Power Supply: 10 A (at 100 VAC), 4.9 A (at 200 VAC) For 750 W Power Supply: 8.9 A (at 100 VAC), 4.3 A (at 200 VAC) For 460 W Power Supply: 5.5 A (at 100 VAC), 2.6 A (at 200 VAC)
		Rated Input Frequency	50 to 60 Hz
		Rated Input Power	For 1200 W Power Supply: 930 W (at 100 VAC), 1348 W (at 200 VAC) For 750 W Power Supply: 857 W (at 100 VAC), 824 W (at 200 VAC) For 460 W Power Supply: 526 W (at 100 VAC), 505 W (at 200 VAC)
		BTU Rating	Maximum
	Power Specifications	NOTE: To review typical system power ratings use the HP Power Advisor which is available online located at url: www.hp.com/go/proliant-energy-efficient or www.hp.com/go/hppoweradvisor	
	Power Supply Output (per power supply)	Rated Steady-State Power	For 1200 W Power Supply: 800 W (at 100 VAC), 900 W (at 120 VAC), 1200 W (at 200 to 240 VAC) For 750 W Power Supply: 750 W (at 100 to 120 VAC),



Technical Specifications

		750 W (at 200 to 240 VAC) For 460 W Power Supply: 460 W (at 100 to 120 VAC), 460 W (at 200 to 240 VAC)
	Maximum Peak Power	For 1200 W Power Supply: 800 W (at 100 VAC), 900 W (at 120 VAC), 1200 W (at 200 to 240 VAC) For 750 W Power Supply: 750 W (at 100 to 120 VAC), 750 W (at 200 to 240 VAC) For 460 W Power Supply: 460 W (at 100 to 120 VAC), 460 W (at 200 to 240 VAC)
	System Inlet Temperature	Operating
		10° to 35°C (50° to 95°F) at sea level with an altitude derating of 1.0°C per every 305 m (1.8°F per every 1000 ft) above sea level to a maximum of 3050 m (10,000 ft), no direct sustained sunlight. Maximum rate of change is 10°C/hr (18°F/hr). The upper limit may be limited by the type and number of options installed. System performance may be reduced if operating with a fan fault or above 30°C (86°F).
		Non-operating
		-30° to 60°C (-22° to 140°F). Maximum rate of change is 20°C/hr (36°F/hr).
	Relative Humidity (non-condensing)	Operating
		10 to 90% relative humidity (Rh), 28°C (82.4°F) maximum wet bulb temperature, non-condensing.
		Non-operating
		5 to 95% relative humidity (Rh), 38.7°C (101.7°F) maximum wet bulb temperature, non-condensing.
	Altitude	Operating
		3050 m (10,000 ft). This value may be limited by the type and number of options installed. Maximum allowable altitude change rate is 457 m/min (1500 ft/min).
		Non-operating
		9144 m (30,000 ft). Maximum allowable altitude change rate is 457 m/min (1500 ft/min).
	Acoustic Noise	Listed are the declared A-Weighted sound power levels (LWAd) and declared average bystander position A-Weighted sound pressure levels (LpAm) when the product is operating in a 23°C ambient environment. Noise emissions were measured in accordance with ISO 7779 (ECMA 74) and declared in accordance with ISO 9296 (ECMA 109).

NOTE: The Listed sound levels apply to standard shipping configurations. Additional options may result in increased sound levels.

	1P SKU	2P SKU
Idle		
	LWAd	4.1 B
	LpAm	22 dBA
Operating	1P SKU	2P SKU
	LWAd	4.7 B
	LpAm	28 dBA



Technical Specifications

Emissions Classification (EMC)	LWAd	4.1 B	4.7 B
	LpAm	22 dBA	28 dBA
	FCC Rating	Class A	
	Normative Standards	CISPR 22; EN55022; EN55024; FCC CFR 47, Pt 15; ICES-003; CNS13438; GB9254; K22;K24; EN 61000-3-2; EN 61000-3-3; EN 60950-1; IEC 60950-1	

NOTE: Product conformance to cited product specifications is based on sample (type) testing, evaluation, or assessment. This product or family of products is eligible to bear the appropriate compliance logos and statements.

NOTE: The Listed sound levels apply to standard shipping configurations. Additional options may result in increased sound levels.

Smart Array P410i Controller	Dimensions (not including bracket)	Low Profile PCIe Form Factor 7.5 in x 9.5 in x 2.25 in (19.05 cm x 24.13 cm x 5.72 cm)
	Disk Drive and Enclosure Interface - transfer rate	6Gb/s SAS (Serial Attached SCSI) 3Gb/s SATA (Serial ATA)
	SAS Connectors	2 internal (Mini-SAS) x8 wide port connectors
	Cache Memory Speed	DDR2-533MHz with 40 or 72-bit wide bus provides up to 4.2 GB/s maximum bandwidth.
	Server Interface	x8 2.5G PCIe 2.0 provides 2GB/s maximum bandwidth
	SAS Speed	x8 3G SAS provides 2.4GB/s maximum bandwidth
	Cache Memory	40-bit 256MB ECC protected cache (72-bit 512MB BBWC module upgrades available); transportable with battery-backed upgrade
	Logical Drives Supported	Up to 64 logical drives
	Maximum Logical Drive Capacity	Greater than 2TB
	Host Memory Addressing	64-bit, supporting greater than 4GB server memory space
	RAID Support	RAID 6, 6+0 (Advanced Data Guarding) NOTE: RAID 6, 6+0 can be enabled with either <ul style="list-style-type: none"> • Minimum of 256 MB cache, Battery kit and Smart Array Advanced Pack License key option upgrades • Minimum of 512 MB BBWC and Smart Array Advanced Pack License key option upgrades RAID 5, 5+0 (Distributed Data Guarding) NOTE: The 256 MB is required to enable RAID 5, 5+0 support of the Smart Array P410i RAID 1+0 (Striping & Mirroring) RAID 0 (Striping)
	Upgradeable Firmware	Upgradeable Firmware with Recovery ROM feature



Technical Specifications

HP NC382i Dual Port Multifunction Gigabit Server Adapters	Network Interface	10Base-T/100Base-TX/1000Base-TX	
	Compatibility	EEE 802.3 10Base-T	
		IEEE 802.3ab 1000Base-T	
		IEEE 802.3u 100Base-TX	
		IEEE 802.3ad 1000Base-TX	
		IEEE 802.1p 100Base-TX	
		IEEE 802.1q 100Base-TX	
	Data Transfer Method	PCI Express, four lanes (x4)	
	Controller	BCM5709C	
	Network Transfer Rate	10Base-T (Half-Duplex)	10 Mb/s
10Base-T (Full-Duplex)		20 Mb/s	
100Base-TX (Half-Duplex)		100 Mb/s	
100Base-TX (Full-Duplex)		200 Mb/s	
1000Base-TX (Half and Full-Duplex)		2000Mb/s	
Connector	Two RJ-45		
Cable Support	10Base-T	Categories 3, 4 or 5 UTP; up to 328 ft (100 m)	
	100Base-TX	Category 5 or higher UTP; up to 328 ft (100 m)	
	1000BaseTX	Category 5 or higher UTP; up to 328 ft (100 m)	
HP Integrated Lights-Out 2 (iLO 2) integrated on system board	Architecture	32-bit PCI-based health and remote management ASIC	
	Processor	32-bit RISC processor core running at 66MHz	
	Upgradeability	Option firmware upgradeable via Flash ROM.	
	Operating System Support	Microsoft Windows Server 2008 Standard Edition (32bit and 64bit)	
		Microsoft Windows Server 2008 Enterprise Edition (32bit and 64bit)	
		Microsoft Windows Server 2003 and Windows Server 2003 R2, and Windows Server 2003 for Extended Systems Standard Edition, Enterprise Edition	
		Red Hat Enterprise Linux 5.4 (32bit and 64bit)	
		SUSE LINUX Enterprise Server 11 (32bit and 64bit)	
		SUSE LINUX Enterprise Server 10 (32bit and 64bit)	
		VMware ESX 4.0	
VMware ESX 3.5.0			
Microsoft Windows XP Professional Edition			
Microsoft Windows Vista Business and Ultimate Editions			
Red Hat Enterprise Linux Desktop 5.00			
SUSE Linux Enterprise Desktop 11			
SUSE Linux Enterprise Desktop 10			



Technical Specifications

Client Browser Support	Microsoft Internet Explorer 7 Microsoft Internet Explorer 6 Firefox 3.5 (on supported Windows and Linux systems) Firefox 3.0 (on supported Windows and Linux systems)
Command Line Support	Telnet, Secure Shell and serial port access Secure Socket Layer Secure Shell version 2 (Password and certificate)
Security	Advanced Encryption Standard (AES) and Triple Data Encryption Standard (3DES) on browser, CLP and XML scripting interface RC4 encryption of video
Directory Support Services	Active Directory v1.0 (Windows 2003)
Driver Support	Health Driver (HP ProLiant iLO 2 Management Controller Driver) iLO Management Channel Interface Driver
Management protocols supported	SNMP 2, IPMI 2.0 (KCS interface), DMTF Server Management Command Line Protocol Specification (SM CLP), DMTF Web Services Management Specification (WS Management)

Environment-friendly Products and Approach

End-of-life Management and Recycling

Hewlett-Packard offers end-of-life HP product return, trade-in, and recycling programs in many geographic areas. For trade-in information, please go to: <http://www.hp.com/go/green>. To recycle your product, please go to: <http://www.hp.com/go/green> or contact your nearest HP sales office. Products returned to HP will be recycled, recovered or disposed of in a responsible manner.

The EU WEEE directive (2002/95/EC) requires manufacturers to provide treatment information for each product type for use by treatment facilities. This information (product disassembly instructions) is posted on the Hewlett Packard web site at: <http://www.hp.com/go/green>. These instructions may be used by recyclers and other WEEE treatment facilities as well as HP OEM customers who integrate and re-sell HP equipment.

© Copyright 2010 Hewlett-Packard Development Company, L.P.

The information contained herein is subject to change without notice.

Microsoft and Windows NT are US registered trademarks of Microsoft Corporation.

Intel, the Intel logo, Xeon and Xeon Inside are trademarks of Intel Corporation in the U.S. and other countries.

The only warranties for HP products and services are set forth in the express warranty statements accompanying such products and services. Nothing herein should be construed as constituting an additional warranty. HP shall not be liable for technical or editorial errors or omissions contained herein.

For hard drives, 1GB = 1 billion bytes. Actual formatted capacity is less.

