

Overview

HP 200 G4 22 All-in-One PC



Front

1. Pull-up webcam and microphone
2. Speakers
3. SD media card reader

Overview

HP 200 G4 22 All-in-One PC



Rear

- | | |
|------------------------------------|---------------------------------|
| 1. Optical disc drive | 6. HDMI 1.4 out connector |
| 2. Power button | 7. Power connector |
| 3. Pull-up webcam | 8. Two (2) USB 2.0 ports |
| 4. Microphone/Headphone Combo Jack | 9. Two (2) USB 3.2 Gen 1 ports |
| 5. RJ-45 (network) jack | 10. Standard security lock slot |

Features

AT A GLANCE

- Choice of Windows 10 Pro, Windows 10 Home, and FreeDOS
- Integrated All-in-One form factor
- 21.5-inch diagonal widescreen Full HD anti-glare display
- Intel® 10th generation processors, featuring integrated Intel® UHD Graphics
- Up to 32GB of DDR4 Synchronous Dynamic Random-Access Memory (SDRAM)
- Integrated 10/100/1000 Gigabit LAN Ethernet Controller
- Optional Wi-Fi 5 (802.11ac) wireless connectivity
- Integrated HD audio card and stereo speakers
- Integrated 5MP pull-up camera to ensure no accidental recording to safeguard user's privacy
- Expandable storage options with up to 512GB SSD and 2TB HDD
- Optional HP Slim Tray DVD Writer 8X Optical Drive
- 3-in-1 Media Card Reader
- TPM 2.0 support
- Low halogen¹ materials, ENERGY STAR® certified² and EPEAT® 2019 registered where applicable.³
- Protected by HP Services. Terms and conditions vary by country. Certain restrictions and exclusions apply.

1. External power supplies, power cords, cables and peripherals are not low halogen. Service parts obtained after purchase may not be low halogen.

2. ENERGY STAR® certified on select configurations

3. Based on US EPEAT® registration according to IEEE 1680.1-2018 EPEAT®. Status varies by country. Visit <http://www.epeat.net> for more information.

NOTE: See important legal disclosures for all listed specs in their respective features sections.

Features

OPERATING SYSTEMS

Preinstalled	Windows 10 Pro 64 ¹ Windows 10 Home 64 ¹ Windows 10 Pro 64 (National Academic License) ^{1,2}
Pre-installed (other)	FreeDOS

1. Not all features are available in all editions or versions of Windows. Systems may require upgraded and/or separately purchased hardware, drivers, software or BIOS update to take full advantage of Windows functionality. Windows 10 is automatically updated, which is always enabled. ISP fees may apply and additional requirements may apply over time for updates. See <http://www.windows.com>.

2. Some devices for academic use will automatically be updated to Windows 10 Pro Education with the Windows 10 Anniversary Update. Features vary; see <https://aka.ms/ProEducation> for Windows 10 Pro Education feature information.

PROCESSORS*

Intel® 10th Generation Core™ Processors

Intel® Core™ i5-10210U Processor
1.6 GHz base frequency
Up to 4.2 GHz max. turbo frequency with Intel® Turbo Boost**
6 MB cache, 4 cores, 8 threads
Intel® UHD Graphics
Supports DDR4 memory up to 2666 MT/s data rate

Intel® Core™ i3-10110U Processor
2.1 GHz base frequency
Up to 4.1 GHz max. turbo frequency with Intel® Turbo Boost**
4 MB cache, 2 cores, 4 threads
Intel® UHD Graphics
Supports DDR4 memory up to 2666 MT/s data rate

Intel® Pentium® Processors

Intel® Pentium® Silver J5040 Processor
2.0 GHz base frequency
Up to 3.2 GHz max. turbo frequency with Intel® Turbo Boost**
4 MB cache, 4 cores, 4 threads
Intel® UHD Graphics 605
Supports DDR4 memory up to 2400 MT/s data rate

*Multicore is designed to improve performance of certain software products. Not all customers or software applications will necessarily benefit from use of this technology. Performance and clock frequency will vary depending on application workload and your hardware and software configurations. Intel's numbering, branding and/or naming is not a measurement of higher performance.

**Intel® Turbo Boost performance varies depending on hardware, software and overall system configuration. See <http://www.intel.com/technology/turboboost> for more information.

NOTE: In accordance with Microsoft's support policy, HP does not support the Windows 8 or Windows 7 operating system on products configured with Intel and AMD 7th generation and forward processors or provide any Windows 8 or Windows 7 drivers on <http://www.support.hp.com>.

Features

GRAPHICS

Integrated

Intel® UHD Graphics

Intel® UHD Graphics 605

NOTE: Intel® integrated UHD Graphics varies by processor

DISPLAY

Non-Touch

21.5" diagonal FHD IPS anti-glare WLED-backlit (1920 x 1080)

21.5" diagonal FHD VA anti-glare WLED-backlit (1920 x 1080)

STORAGE AND DRIVES¹

M.2 PCIe NVMe Solid State Drives (SSD)

256GB 2280 PCIe NVMe Solid State Drive

512GB 2280 PCIe NVMe Solid State Drive

128GB 2280 PCIe NVMe TLC Solid State Drive

256GB 2280 PCIe NVMe TLC Solid State Drive

512GB 2280 PCIe NVMe TLC Solid State Drive

3.5 inch 7200RPM SATA Hard Disk Drives (HDD)

500GB 7200RPM 3.5in HDD

1TB 7200RPM 3.5in HDD

2TB 7200RPM 3.5in HDD

Optical Disc Drives

9.5mm Ultra Slim DVD-Writer

Media Card Reader

SD Card Reader with 3-in1 Interface (Supports SD, SDHC, SDXC)

NOTE: For storage drives, GB = 1 billion bytes. TB = 1 trillion bytes. Actual formatted capacity is less. Up to 36 GB (for Windows 10) is reserved for system recovery software.

MEMORY

Maximum

DDR4 SODIMM up to 2666MT/s

Memory Slots

2 SODIMM

Available Configurations

4GB (4GB x1)

8GB (4GB x2)

8GB (8GB x1)

16GB (8GB x2)

16GB (16GB x1)

32GB (16GB x2)

NOTE: Actual data rate is determined by both the system's configured processor and memory module installed.

Features

NETWORKING/COMMUNICATIONS

Wireless LAN*

Realtek® RTL8822CE Wi-Fi 5¹ (802.11ac) 2x2 Wi-Fi M.2 Card²
Realtek® RTL8821CE Wi-Fi 5¹ (802.11ac) 1x1 Wi-Fi M.2 Card²

Ethernet (RJ-45) Integrated

Realtek® RTL8111HSH-CG Gigabit Ethernet Controller

*Wireless access point and internet service required and sold separately. Availability of public wireless access points limited. Wi-Fi 5 is backwards compatible with prior 802.11 specs.

1. Wireless access point and Internet service required and sold separately. Availability of public wireless access points limited.
2. Must be configured at time of purchase.

AUDIO/MULTIMEDIA

High Definition Audio

Integrated Realtek ALC3247 Audio Codec
High performance integrated stereo speakers
3.5mm combo (microphone/headphone) jack

Webcams & Mic

Integrated 5MP webcam, Up to 30 frames/sec, dual array microphone included

KEYBOARDS/POINTING DEVICES/BUTTONS & FUNCTION KEYS

Keyboards

HP Universal USB Wired Keyboard

Mice

HP USB Optical Mouse
HP USB Hardened Optical Mouse
HP USB Universal Mouse

NOTE: Availability may vary by country

Features

SOFTWARE AND SECURITY

HP Support

HP PC Hardware Diagnostics
HP Cloud Recovery
HP Support Assistant

Internet Security and Antivirus

McAfee LiveSafe (30-day subscription)¹

Product Setup

HP JumpStarts

Security Features

Trusted Platform Module (TPM) 2.0 (firmware)^{2,3}

1. 30 day trial period. Internet access required to receive updates. First update included. Subscription required for updates thereafter

2. TPM feature will not be supported on machines pre-configured with FreeDOS and Linux

3. In selected countries, machines pre-configured with Windows OS will be shipped with TPM disabled.

POWER

Power Supply

HP Smart 65W External AC power adapter

PORTS/SLOTS

Rear I/O Ports

Two (2) USB 2.0 ports
Two (2) USB 3.2 Gen 1 ports
One (1) RJ-45 (network) jack
One (1) HDMI 1.4 out connector
One (1) Microphone/Headphone Combo Jack
One (1) DC in power

Bottom I/O Ports

One (1) 3 in 1 Card reader (SD, SDHC, SDXC)

Internal I/O Ports

One (1) M.2 PCIe x1 2230 (for WLAN)
One (1) M.2 PCIe x4 2280 for Intel® Core™ / One (1) M.2 PCIe x1 2280 for Intel® Pentium® configurations
One (1) SATA storage connector

Bays

One (1) 3.5" internal storage drive

Features

WEIGHTS & DIMENSIONS

Weight

21.5 Non-Touch Product Weight (Unboxed)

Without Stand

5.15 kg, 11.35 lbs

Basic Stand

5.7 kg, 12.57 lbs

21.5 Shipping Weight (Boxed)

8.16 kg, 17.99 lbs

21.5 Shipping Weight (Pallet)

167.61 kg, 369.52 lbs

Dimension

21.5 System Dimensions

Without Stand

490.3 x 322.0 x 58.1 mm

19.3 x 12.68 x 2.29 in

Basic Stand

490.3 x 380.74 x 204.51 mm

19.3 x 14.99 x 8.05 in

21.5 Shipping Dimensions (Boxed)

593 x 478 x 243 mm, 23.35 x 18.82 x 9.57 in

21.5 Shipping Dimensions (Pallet)

1186 x 972 x 1569 mm, 46.69 x 38.27 x 61.77 in

21.5 Pallet Quantity (including Touch, Non-Touch)

24

Features

UNIT ENVIRONMENT AND OPERATING CONDITIONS⁹

- Keep the computer away from excessive moisture, direct moisture and the extremes of heat and cold, to ensure that unit is operated within the specified operating range.
- Leave a 10.2 cm (4 in) clearance on all vented sides of the computer to permit the required airflow.
- Never restrict airflow into the computer by blocking any vents or air intakes.
- Do not stack computers on top of each other or place computers so near each other that they are subject to each other's re-circulated or preheated air.
- Occasionally clean the air vents on the front, back, and any other vented side of the computer. Lint, dust and other foreign matter can block the vents and limit the airflow.
- If the computer is to be operated within a separate enclosure, intake and exhaust ventilation must be provided on the enclosure, and the same operating guidelines listed above will still apply.

Temperature Range

Operating: 50° to 95° F (10° to 35° C)*

Non-operating: -22° to 140° F (-30° to 60° C)

Relative Humidity

Operating: 10% to 90% (non-condensing at ambient)

Non-operating: 5% to 95% (non-condensing at ambient)

Maximum Altitude (unpressurized)

Operating: 5000m

Non-operating: 50000ft (15240 m)

NOTE: Operating temperature is de-rated 1.0 deg C per 300 m (1000 ft) to 3000 m (10,000 ft) above sea level, no direct sustained sunlight. Maximum rate of change is 10 deg C/Hr. The upper limit may be limited by the type and number of options installed.

ALL-IN-ONE DISPLAY PANEL SPECIFICATIONS

21.5" diagonal FHD IPS anti-glare WLED-backlit (1920 x 1080)

Non-touch

Type	IPS WLED Backlit LCD
Active area (mm)	476.064 x 267.786
Native resolution (HxV)	1920 x 1080
Refresh rate	60 Hz @ 1920 x 1080
Aspect ratio	16:9
Pixel pitch (HxV)(mm)	0.24795 x 0.24795
Contrast ratio (typical)	1000:1
Brightness (typical)	250nits
Viewing angle (typical) (HxV)	178 ° x 178 °
Backlight lamp life (to half brightness)	30,000 hours minimum
Color support	Up to 16.7 million colors with the use of FRC technology
Color gamut (typical)	NTSC 72%
Anti-glare	Yes
Response time (typical)	14ms
Default color temperature	Warm (6500K)

NOTE: All performance specifications represent the typical specifications provided by HP's component manufacturers; actual performance may vary either higher or lower.

21.5" diagonal FHD VA anti-glare WLED-backlit (1920 x 1080)

Non-touch

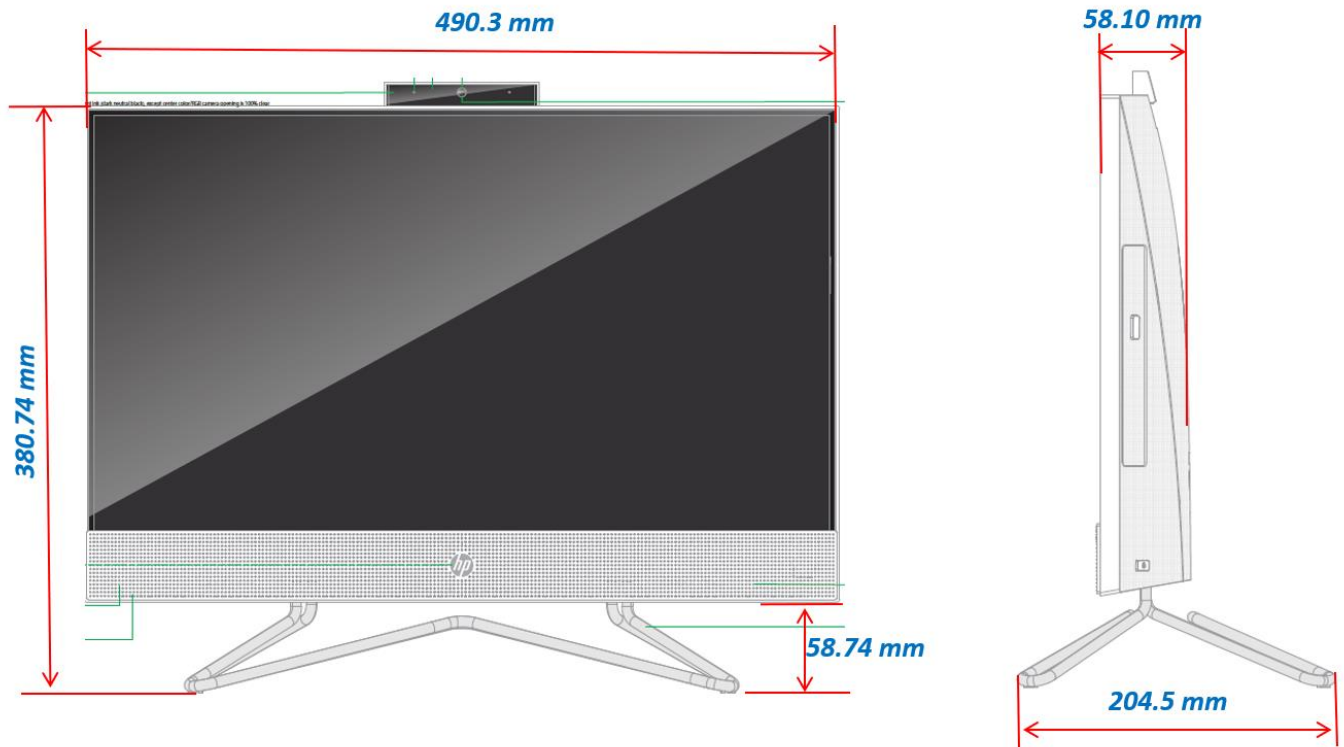
Type	VA WLED Backlit LCD
Active area (mm)	476.064 x 267.786
Native resolution (HxV)	1920 x 1080
Refresh rate	60 Hz @ 1920 x 1080
Aspect ratio	16:9
Pixel pitch (HxV)(mm)	0.24795 x 0.24795
Contrast ratio (typical)	3000:1
Brightness (typical)	250nits
Viewing angle (typical) (HxV)	178° x 178°
Backlight lamp life (to half brightness)	30,000 hours minimum
Color support	Up to 16.7 million colors with the use of FRC technology
Color gamut (typical)	NTSC 72%
Anti-glare	Yes
Response time (typical)	18ms
Default color temperature	Warm (6500K)

NOTE: All performance specifications represent the typical specifications provided by HP's component manufacturers; actual performance may vary either higher or lower.

Technical Specifications – Stand

ALL-IN-ONE STAND SPECIFICATIONS

Articulating Stand	Tilt Angle	-5° to +20°
	Rotation (Swivel)	None
	Pivot	None



STORAGE AND DRIVES

500 GB 7200RPM 3.5in SATA HDD

Capacity	500 GB
Rotational Speed	7,200 rpm
Interface	SATA 6.0 Gb/s
Buffer Size	32 MB
Logical Blocks	976,773,168
Seek Time	11 ms (Average)
Height	1 in/2.54 cm
Width	Media diameter: 3.5 in/8.89 cm Physical size: 4 in/10.2 cm
Operating Temperature	41° to 131° F (5° to 55° C)

NOTE: For hard drives and solid state drives, GB = 1 billion bytes. TB = 1 trillion bytes. Actual formatted capacity is less. Up to 36 GB (for Windows 10) of system disk is reserved for the system recovery software.

1 TB 7200RPM 3.5in SATA HDD

Capacity	1 TB
Rotational Speed	7,200 rpm
Interface	SATA 6 Gb/s
Buffer Size	64 MB
Logical Blocks	1,953,525,168
Seek Time	11 ms (Average)
Height	1 in/2.54 cm
Width (nominal)	Media diameter: 3.5 in/8.89 cm Physical size: 4 in/10.2 cm
Operating Temperature	41° to 131° F (5° to 55° C)

NOTE: For hard drives and solid state drives, GB = 1 billion bytes. TB = 1 trillion bytes. Actual formatted capacity is less. Up to 36 GB (for Windows 10) of system disk is reserved for the system recovery software.

2 TB 7200RPM 3.5in SATA HDD

Capacity	2 TB
Rotational Speed	7,200 rpm
Interface	SATA 6 Gb/s
Buffer Size	64 MB
Logical Blocks	3,907,029,168
Seek Time	11 ms (Average)
Height	1.028 in/26.11 mm
Width (nominal)	4.0 in/101.6 mm
Operating Temperature	41° to 131° F (5° to 55° C)

NOTE: For hard drives and solid state drives, GB = 1 billion bytes. TB = 1 trillion bytes. Actual formatted capacity is less. Up to 36 GB (for Windows 10) of system disk is reserved for the system recovery software.

Technical Specifications – Storage

256 GB M.2 2280 PCIe NVMe SSD

Drive Weight	< 10g
Capacity	256 GB
Height	2.38mm
Length	80mm
Width	22mm
Interface	PCIe Gen3
Maximum Sequential Read	Up to 1600MB/s
Maximum Sequential Write	Up to 780MB/s
Logical Blocks	500,118,192
Operating Temperature	0° to 70°C (32° to 158°F) [ambient temp]
Features	APST; ASPM L1.2; NVMe spec 1.2

NOTE: For hard drives and solid state drives, GB = 1 billion bytes. TB = 1 trillion bytes. Actual formatted capacity is less. Up to 36 GB (for Windows 10) of system disk is reserved for the system recovery software.

512 GB M.2 2280 PCIe NVMe SSD

Drive Weight	< 10g
Capacity	512 GB
Height	2.38mm
Length	80mm
Width	22mm
Interface	PCIe Gen3
Maximum Sequential Read	Up to 1600MB/s
Maximum Sequential Write	Up to 860MB/s
Logical Blocks	1,000,215,216
Operating Temperature	0° to 70°C (32° to 158°F) [ambient temp]
Features	APST; ASPM L1.2; NVMe spec 1.2

NOTE: For hard drives and solid state drives, GB = 1 billion bytes. TB = 1 trillion bytes. Actual formatted capacity is less. Up to 36 GB (for Windows 10) of system disk is reserved for the system recovery software.

128 GB M.2 2280 PCIe NVMe Three Layer Cell SSD

Drive Weight	< 10g
Capacity	128 GB
Height	2.38mm
Length	80mm
Width	22mm
Interface	PCIe Gen3
Maximum Sequential Read	Up to 2800MB/s
Maximum Sequential Write	Up to 600MB/s
Logical Blocks	250,069,680
Operating Temperature	0° to 70°C (32° to 158°F) [ambient temp]
Features	APST; ASPM L1.2; NVMe spec 1.2

NOTE: For hard drives and solid state drives, GB = 1 billion bytes. TB = 1 trillion bytes. Actual formatted capacity is less. Up to 36 GB (for Windows 10) of system disk is reserved for the system recovery software.

Technical Specifications – Storage

256 GB M.2 2280 PCIe NVMe Three Layer Cell SSD

Drive Weight	< 10g
Capacity	256GB
Height	2.38mm
Length	80mm
Width	22mm
Interface	PCIe Gen3
Maximum Sequential Read	Up to 2700MB/s
Maximum Sequential Write	Up to 1000MB/s
Logical Blocks	500,118,192
Operating Temperature	0° to 70°C (32° to 158°F) [ambient temp]
Features	APST; ASPM L1.2; NVMe spec 1.2

NOTE: For hard drives and solid state drives, GB = 1 billion bytes. TB = 1 trillion bytes. Actual formatted capacity is less. Up to 36 GB (for Windows 10) of system disk is reserved for the system recovery software.

512 GB M.2 2280 PCIe NVMe Three Layer Cell SSD

Drive Weight	< 10g
Capacity	512 GB
Height	2.38mm
Length	80mm
Width	22mm
Interface	PCIe Gen3
Maximum Sequential Read	Up to 2900MB/s
Maximum Sequential Write	Up to 1100MB/s
Logical Blocks	1,000,215,216
Operating Temperature	0° to 70°C (32° to 158°F) [ambient temp]
Features	APST; ASPM L1.2; NVMe spec 1.2

NOTE: For hard drives and solid state drives, GB = 1 billion bytes. TB = 1 trillion bytes. Actual formatted capacity is less. Up to 36 GB (for Windows 10) of system disk is reserved for the system recovery software.

HP 9.5mm Slim DVD Writer Drive

Height	9.5 mm height
Orientation	Either horizontal or vertical
Interface type	SATA/ATAPI
Disc recording capacity	Up to 8.5 GB DL or 4.7 GB standard
Dimensions (W x H x D)	5.04 x 0.37 x 5.0 in (128 x 9.5 x 127 mm) without bezel
Weight (max)	0.31 lb (140 g)
Write Speeds	DVD-R DL - Up to 6X DVD+R - Up to 8X DVD+RW - Up to 8X DVD+R DL - Up to 6X DVD-R - Up to 8X DVD-RW - Up to 6X CD-R - Up to 24X CD-RW - Up to 10X

Technical Specifications – Storage

Read Speeds	DVD-RW, DVD+RW - Up to 8X DVD-R DL, DVD+R DL - Up to 8X DVD+R, DVD-R - Up to 8X DVD-ROM DL, DVD-ROM - Up to 8X CD-ROM, CD-R - Up to 24X CD-RW - Up to 24X
Access time (typical reads, including settling)	Random DVD-ROM: 170 ms (typical), CD-ROM: 170 ms (typical) Full Stroke DVD-ROM: 320 ms (typical), CD-ROM: 320 ms (typical) Stop Time 6 seconds (typical)
Power	Source Slimline SATA DC power receptacle DC Power Requirement 5 VDC \pm 5%-100 mV ripple p-p DC Current 5 VDC (< 1000 mA typical, 1600 mA maximum)
Environmental conditions (operating - non-condensing)	Temperature 41° to 122° F (5° to 50° C) Relative Humidity 10% to 80% Maximum Wet Bulb Temperature 84° F (29° C)

Technical Specifications - Audio

HIGH DEFINITION AUDIO

Type	Integrated
HD Audio Codec	Realtek ALC3247 Audio Codec
Audio I/O Ports	Rear 3.5mm combo (microphone/headphone) jack (32 Ohm) supporting CTIA and OMTP style headset Microphone(2K Ohm)
Analog Audio	Yes
Internal Speaker Amplifier	2W per channel stereo amplifier for the internal speakers only
Internal Speaker	Yes - Stereo Speaker
DAC Sampling Rates	44.1 kHz/48 kHz/96 kHz/192 kHz
ADC Sampling Rates	44.1 kHz/48 kHz/96 kHz/192 kHz

Technical Specifications – Input/Output

INPUT/OUTPUT DEVICES

HP Universal USB Wired Keyboard

	Keys	104, 105 layout (depending upon country)
Physical Characteristics	Dimensions (L x W x H)	18.15 x 6.02 x 1.08 in (461 x 153 x 27.4 mm)
	Weight	1.32 lb (600g) min
	Operating voltage	5 VDC, +/-5%
Electrical	Power consumption	50mA Max (All LED on)
	System interface	USB Type A plug connector
	ESD	Contact Discharge: 8 KV Air Discharge: 15 KV
	EMI - RFI	Conforms to FCC rules for a Class B computing device
Mechanical	Keycaps	Mid-profile design
	Switch actuation	60±10g nominal peak force with tactile feedback
	Switch life	10 million keystrokes (Life tester)
	Switch type	Contamination-resistant switch membrane
	Key-leveling mechanisms	For all double-wide and greater-length keys
	Cable length	6 ft (1.8 m)
	Acoustics	43-dBA maximum sound pressure level
	Operating temperature	50° to 122° F (10° to 50° C)
	Non-operating temperature	-22° to 140° F (-30° to 60° C)
	Operating humidity	10% to 90% (non-condensing at ambient)
Environmental	Non-operating humidity	20% to 80% (non-condensing at ambient)
	Operating shock	40 g, six surfaces
	Non-operating shock	80 g, six surfaces
	Operating vibration	2-g peak acceleration
	Non-operating vibration	4-g peak acceleration
	Drop (out of box)	26 in (66 cm) on carpet, six-drop sequence
Drop (in box)	30 in (76.2 cm) on concrete, 16-drop sequence	

Technical Specifications – Input/Output

HP USB Universal Wired Mouse

Dimensions (H x L x W)	4.21 x 2.64 x 1.52 in (107 x 67 x 38.7 mm)	
Weight	0.19lb (90g)	
Environmental	Operating temperature	50° to 122° F (10° to 50° C)
	Non-operating temperature	-22° to 140° F (-30° to 60° C)
	Operating humidity	10% to 90% (non-condensing at ambient)
	Non-operating humidity	20% to 80% (non-condensing at ambient)
	Operating shock	50 g, 6 surfaces
	Non-operating shock	80 g, 6 surfaces
	Operating vibration	2-g peak acceleration
	Non-operating vibration	4-g peak acceleration
Electrical	Operating voltage	5 VDC, +/-5%
	Power consumption	50mA Max
	Resolution	800, 1200, 1600 DPI
	Tracking speed	31 inch/sec (max)
Mechanical	Tracking acceleration	8G(max), 1G=9.8m/s ³
	Connector	USB 2.0
	Cable length	6 ft (1.8 m)

Technical Specifications – Input/Output

HP USB Optical Mouse

Dimensions (H x L x W) 4.53 x 2.50 x 1.40 in (115 x 63.46 x 35.48 mm)

Weight 0.18lb (80g)

Operating temperature 50° to 122° F (10° to 50° C)

Non-operating temperature -22° to 140° F (-30° to 60° C)

Operating humidity 10% to 90% (non-condensing at ambient)

Non-operating humidity 20% to 80% (non-condensing at ambient)

Environmental

Operating shock 40 g, six surfaces

Non-operating shock 80 g, six surfaces

Operating vibration 2-g peak acceleration

Non-operating vibration 4-g peak acceleration

Operating voltage 5 VDC, +/-5%

Power consumption 50mA Max

Electrical

Resolution 1,000 DPI

Sensor Pixart PAN3606DL

Tracking speed 30 inch/sec (max)

Tracking acceleration 9G(max), 1G=9.8m/s²

Mechanical

Connector USB 2.0

Cable length 6 ft (1.8 m)

Technical Specifications - Networking

NETWORKING/COMMUNICATIONS

Realtek® RTL8111HSH-CG Gigabit Ethernet Controller	Ethernet Features	10 Mbit/s operation (10BASE-T; IEEE 802.3i; IEEE 802.3 clauses 13-14) 100 Mbit/s operation (100BASE-TX; IEEE 802.3u; IEEE 802.3 clauses 21-30) 1000 Mbit/s operation (1000BASE-T; IEEE 802.3ab; IEEE 8023 clauses 40) Auto-Negotiation (Automatic Speed Selection) Full Duplex Operation at all Speeds, Half Duplex operation at 10 and 100 Mbit/s IEEE 802.1p QoS (Quality of Service) Support IEEE 802.1q VLAN support IEEE 802.3x Flow Control (IEEE 802.3 clauses 31-32; configurable) IEEE 802.3az EEE (Energy Efficient Ethernet) Jumbo Frame 9K Auto MDI/MDIX Crossover cable detection
	Power Management	ACPI compliant – multiple power modes Situation-sensitive features reduce power consumption Advanced link down power saving for reducing link down power consumption
	Performance Features	TCP/IP/UDP Checksum Offload (configurable) Protocol Offload (ARP & NS) Large send offload and Giant send offload Receiving Side Scaling
	Manageability	Wake-on-LAN from standby and hibernation (Magic Packet and Microsoft Wake-Up Frame); Wake-on-LAN from off (Magic Packet only) PXE 2.1 Remote Boot Statistics Gathering (SNMP MIB II, Ethernet-like MIB, Ethernet MIB (802.3x, clause 30)) Comprehensive diagnostic and configuration software suite Virtual Cable Doctor for Ethernet cable status
	Interface	PCI Express 1.1 x1 to fully support ASPM L0s/L1 and CLKREQ
	NIC Device Driver Name	PCIe GBE Ethernet Family Controller

WLAN*

Realtek RTL8822CE Wi-Fi 5¹ (802.11ac) 2x2 with Bluetooth® M.2	
Wireless LAN Standards	IEEE 802.11a IEEE 802.11b IEEE 802.11g IEEE 802.11n IEEE 802.11ac IEEE 802.11d IEEE 802.11e IEEE 802.11h IEEE 802.11i IEEE 802.11k IEEE 802.11r IEEE 802.11v
*NOTE: Wireless access point and internet service required and sold separately. Availability of public wireless access points limited. Wi-Fi 5 is backwards compatible with prior 802.11 specs.	
Interoperability	Wi-Fi® certified
Frequency Band	802.11b/g/n • 2.402 – 2.482 GHz 802.11a/n • 4.9 – 4.95 GHz (Japan) • 5.15 – 5.25 GHz



Technical Specifications - Networking

	<ul style="list-style-type: none"> • 5.25 – 5.35 GHz • 5.47 – 5.725 GHz • 5.825 – 5.850 GHz 				
Data Rates	<ul style="list-style-type: none"> • 802.11b: 1, 2, 5.5, 11 Mbps • 802.11g: 6, 9, 12, 18, 24, 36, 48, 54 Mbps • 802.11a: 6, 9, 12, 18, 24, 36, 48, 54 Mbps • 802.11n: MCS 0 ~ MCS 15, (20MHz, and 40MHz) • 802.11ac : MCS0 ~ MCS9, (1SS, and 2SS) (20MHz, 40MHz & 80MHz) 				
Modulation	Direct Sequence Spread Spectrum BPSK, QPSK, CCK, 16-QAM, 64-QAM, 256-QAM				
Security²	<ul style="list-style-type: none"> • IEEE 64 / 128 bit WEP encryption for a/b/g mode only • AES-CCMP: 128 bit in hardware • 802.1x authentication • WPA, WPA2: 802.1x. WPA-PSK, WPA2-PSK, TKIP, and AES. • WPA2 certification • IEEE 802.11i • WAPI 				
Network Architecture Models	Ad-hoc (Peer to Peer) Infrastructure (Access Point Required)				
Roaming	IEEE 802.11 compliant roaming between access points				
Output Power³	<ul style="list-style-type: none"> • 802.11b : +18.5dBm minimum • 802.11g : +17.5dBm minimum • 802.11a : +18.5dBm minimum • 802.11n HT20(2.4GHz) : +15.5dBm minimum • 802.11n HT40(2.4GHz) : +14.5dBm minimum • 802.11n HT20(5GHz) : +15.5dBm minimum • 802.11n HT40(5GHz) : +14.5dBm minimum • 802.11ac VHT80(5GHz) : +11.5dBm minimum • 802.11ac VHT160(5GHz) : +11.5dBm minimum 				
Power Consumption	<ul style="list-style-type: none"> • Transmit mode :2.0 W • Receive mode :1.6 W • Idle mode (PSP) 180 mW (WLAN Associated) • Idle mode :50 mW (WLAN unassociated) • Connected Standby/Modern Standby: 10mW • Radio disabled: 8 mW 				
Power Management	ACPI and PCI Express compliant power management 802.11 compliant power saving mode				
Receiver Sensitivity⁴	802.11b, 1Mbps : -93.5dBm maximum 802.11b, 11Mbps : -84dBm maximum 802.11a/g, 6Mbps : -86dBm maximum 802.11a/g, 54Mbps : -72dBm maximum 802.11n, MCS07 : -67dBm maximum 802.11n, MCS15 : -64dBm maximum 802.11ac, MCS0 : -84dBm maximum 802.11ac, MCS9 : -59dBm maximum				
Antenna type	High efficiency antenna with spatial diversity, mounted in the display enclosure Two embedded dual band 2.4/5 GHz antennas are provided to the card to support WLAN MIMO communications and Bluetooth communications				
Form Factor	PCI-Express M.2 MiniCard				
Dimensions	Type 2230: 2.3 x 22.0 x 30.0 mm				
Weight	Type 2230: 2.8g				
Operating Voltage	3.3v +/- 9%				
Temperature	<table border="1"> <tr> <td>Operating</td> <td>14° to 158° F (-10° to 70° C)</td> </tr> <tr> <td>Non-operating</td> <td>-40° to 176° F (-40° to 80° C)</td> </tr> </table>	Operating	14° to 158° F (-10° to 70° C)	Non-operating	-40° to 176° F (-40° to 80° C)
Operating	14° to 158° F (-10° to 70° C)				
Non-operating	-40° to 176° F (-40° to 80° C)				
Humidity	<table border="1"> <tr> <td>Operating</td> <td>10% to 90% (non-condensing)</td> </tr> <tr> <td>Non-operating</td> <td>5% to 95% (non-condensing)</td> </tr> </table>	Operating	10% to 90% (non-condensing)	Non-operating	5% to 95% (non-condensing)
Operating	10% to 90% (non-condensing)				
Non-operating	5% to 95% (non-condensing)				

Technical Specifications - Networking

Altitude	Operating Non-operating	0 to 10,000 ft (3,048 m) 0 to 50,000 ft (15,240 m)
LED Activity	LED Amber – Radio OFF; LED White – Radio ON	
<p>1. Wireless access point and Internet service required and sold separately. Availability of public wireless access points limited. 2. Must be configured at time of purchase.</p> <p>2. Check latest software/driver release for updates on supported security features.</p> <p>3. Maximum output power may vary by country according to local regulations.</p> <p>4. Receiver sensitivity is measured at a packet error rate of 8% for 802.11b (CKK modulation) and a packet error rate of 10% for 802.11a/g (OFDM modulation).</p>		
HP Integrated Module with Bluetooth 4.0/4.1/4.2/5.0 Wireless Technology		
Bluetooth® Specification	4.0/4.1/4.2/5.0 Compliant	
Frequency Band	2402 to 2480 MHz	
Number of Available Channels	Legacy : 0~79 (1 MHz/CH) BLE : 0~39 (2 MHz/CH)	
Data Rates and Throughput	Legacy : 3 Mbps data rate; throughput up to 2.17 Mbps BLE : 1 Mbps data rate; throughput up to 0.2 Mbps Legacy : Synchronous Connection Oriented links up to 3, 64 kbps, voice channels. Legacy : Asynchronous Connection Less links 2178.1 kbps/177.1 kbps asymmetric (3-DH5) or 864 kbps symmetric (3-EV5)	
Transmit Power	The Bluetooth component shall operate as a Class II Bluetooth device with a maximum transmit power of + 4 dBm for BR and EDR.	
Power Consumption	Peak (Tx) 330 mW Peak (Rx) 230 mW Selective Suspend 17 mW	
Bluetooth® Software Supported Link Topology	Microsoft Windows Bluetooth® Software	
Power Management	Microsoft Windows ACPI, and USB Bus Support	
Certifications	FCC (47 CFR) Part 15C, Section 15.247 & 15.249 ETS 300 328, ETS 300 826 Low Voltage Directive IEC950 UL, CSA, and CE Mark	
Bluetooth Profiles Supported	BT4.1-ESR 5/6/7 Compliance LE Link Layer Ping LE Dual Mode LE Link Layer LE Low Duty Cycle Directed Advertising LE L2CAP Connection Oriented Channels Train Nudging & Interlaced Scan BT4.2 ESR08 Compliance LE Secure Connection- Basic/Full LE Privacy 1.2 –Link Layer Privacy LE Privacy 1.2 –Extended Scanner Filter Policies LE Data Packet Length Extension FAX Profile (FAX) Basic Imaging Profile (BIP)2 Headset Profile (HSP) Hands Free Profile (HFP) Advanced Audio Distribution Profile (A2DP)	

Technical Specifications - Networking

Realtek RTL8821CE Wi-Fi 5¹ (802.11ac) 1x1 with Bluetooth[®] M.2	
Wireless LAN Standards	IEEE 802.11a IEEE 802.11b IEEE 802.11g IEEE 802.11n IEEE 802.11ac
Interoperability	Wi-Fi [®] certified
Frequency Band	802.11b/g/n • 2.402 – 2.482 GHz 802.11a/n • 4.9 – 4.95 GHz (Japan) • 5.15 – 5.25 GHz • 5.25 – 5.35 GHz • 5.47 – 5.725 GHz • 5.825 – 5.850 GHz
Data Rates	• 802.11b: 1, 2, 5.5, 11 Mbps • 802.11g: 6, 9, 12, 18, 24, 36, 48, 54 Mbps • 802.11a: 6, 9, 12, 18, 24, 36, 48, 54 Mbps • 802.11n: MCS 0 ~ MCS 15, (20MHz, and 40MHz) • 802.11ac : MCS0 ~ MCS9, (1SS, and 2SS) (20MHz, 40MHz, and 80MHz)
Modulation	Direct Sequence Spread Spectrum BPSK, QPSK, CCK, 16-QAM, 64-QAM, 256-QAM
Security²	<ul style="list-style-type: none"> • IEEE 64 / 128 bit WEP encryption for a/b/g mode only • AES-CCMP: 128 bit in hardware • 802.1x authentication • WPA, WPA2: 802.1x. WPA-PSK, WPA2-PSK, TKIP, and AES. • WPA2 certification • IEEE 802.11i • Cisco Certified Extensions, all versions through CCX4 and CCX Lite • WAPI
Network Architecture Models	Ad-hoc (Peer to Peer) Infrastructure (Access Point Required)
Roaming	IEEE 802.11 compliant roaming between access points
Output Power³	<ul style="list-style-type: none"> • 802.11b : +14dBm minimum • 802.11g : +12dBm minimum • 802.11a : +12dBm minimum • 802.11n HT20(2.4GHz) : +12dBm minimum • 802.11n HT40(2.4GHz) : +12dBm minimum • 802.11n HT20(5GHz) : +10dBm minimum • 802.11n HT40(5GHz) : +10dBm minimum • 802.11ac VHT80(5GHz) : +10dBm minimum
Power Consumption	<ul style="list-style-type: none"> • Transmit mode 2.0 W • Receive mode 1.6 W • Idle mode (PSP) 180 mW (WLAN Associated) • Idle mode 50 mW (WLAN unassociated) • Connected Standby 10mW • Radio disabled 8 mW
Power Management	ACPI and PCI Express compliant power management 802.11 compliant power saving mode
Receiver Sensitivity⁴	802.11b, 1Mbps : -93.5dBm maximum 802.11b, 11Mbps : -84dBm maximum 802.11a/g, 6Mbps : -86dBm maximum 802.11a/g, 54Mbps : -72dBm maximum 802.11n, MCS07 : -67dBm maximum 802.11n, MCS15 : -64dBm maximum 802.11ac, MCS0 : -84dBm maximum



Technical Specifications - Networking

	802.11ac, MCS9 : -59dBm maximum	
Antenna type	High efficiency antenna. One embedded dual band 2.4/5 GHz antenna is provided to the card to support WLAN communications and Bluetooth communications	
Form Factor	PCI-Express M.2 MiniCard	
Dimensions	Type 2230 : 2.3 x 22.0 x 30.0 mm	
Weight	Type 2230 : 2.8g	
Operating Voltage	3.3v +/- 9%	
Temperature	Operating	14° to 158° F (-10° to 70° C)
	Non-operating	-40° to 176° F (-40° to 80° C)
Humidity	Operating	10% to 90% (non-condensing)
	Non-operating	5% to 95% (non-condensing)
Altitude	Operating	0 to 10,000 ft (3,048 m)
	Non-operating	0 to 50,000 ft (15,240 m)
LED Activity	LED Amber – Radio OFF; LED White – Radio ON	

1. Wireless access point and Internet service required and sold separately. Availability of public wireless access points limited. 2. Must be configured at time of purchase.
2. Check latest software/driver release for updates on supported security features.
3. Maximum output power may vary by country according to local regulations.
4. Receiver sensitivity is measured at a packet error rate of 8% for 802.11b (CKK modulation) and a packet error rate of 10% for 802.11a/g (OFDM modulation).

HP Integrated Module with Bluetooth® 4.0/4.1/4.2 Wireless Technology

Bluetooth® Specification	4.0/4.1/4.2 Compliant	
Frequency Band	2402 to 2480 MHz	
Number of Available Channels	Legacy : 0~79 (1 MHz/CH) BLE : 0~39 (2 MHz/CH)	
Data Rates and Throughput	Legacy : 3 Mbps data rate; throughput up to 2.17 Mbps	
	BLE : 1 Mbps data rate; throughput up to 0.2 Mbps	
	Legacy : Synchronous Connection Oriented links up to 3, 64 kbps, voice channels	
	Legacy : Asynchronous Connection Less links 2178.1 kbps/177.1 kbps asymmetric (3-DH5) or 864 kbps symmetric (3-EV5)	
Transmit Power	The Bluetooth® component shall operate as a Class II Bluetooth® device with a maximum transmit power of +4 dBm for BR and EDR.	
Power Consumption	Peak (Tx) 330 mW Peak (Rx) 230 mW Selective Suspend 17 mW	
Bluetooth® Software Supported Link Topology	Microsoft Windows Bluetooth® Software	
Power Management	Microsoft Windows ACPI, and USB Bus Support	
Certifications	ETS 300 328, ETS 300 826 Low Voltage Directive IEC950 UL, CSA, and CE Mark	
Bluetooth Profiles Supported	BT4.1-ESR 5/6/7 Compliance LE Link Layer Ping LE Dual Mode LE Link Layer LE Low Duty Cycle Directed Advertising LE L2CAP Connection Oriented Channels Train Nudging & Interlaced Scan BT4.2 ESR08 Compliance LE Secure Connection- Basic/Full LE Privacy 1.2 –Link Layer Privacy LE Privacy 1.2 –Extended Scanner Filter Policies	

Technical Specifications - Networking

	<ul style="list-style-type: none">LE Data Packet Length ExtensionFAX Profile (FAX)Basic Imaging Profile (BIP)2Headset Profile (HSP)Hands Free Profile (HFP)Advanced Audio Distribution Profile (A2DP)
--	--

Technical Specifications - Power

POWER

Efficiency	65W EPS, 88% average efficiency at 115V & 89% at 230Vac
Operating Voltage Range	90Vac~264Vac
Rated Voltage Range	100Vac~240Vac
Rated Line Frequency	50Hz~60Hz
Operating Line Frequency	47Hz~63Hz
Rated Input Current	≤1.6A
Rated Input Current with Energy Efficient* Power Supply	≤1.6A
DC Output	+19.5V
Current Leakage (NFPA 99: 2102)	Less than 500 microamps of leakage current at 120 Vac with the ground wire disconnected, as required for Non-Patient Electrical Appliances and Equipment used in a patient care facility or that contact patients in normal use. Per section 10.3.5.1. Less than 100 microamps of leakage current at 120 Vac with the ground wire intact with normal polarity, as required for Non-Patient Electrical Appliances and Equipment used in a patient care facility or that contact patients in normal use. Per section 10.3.5.1.
Dimensions	102 x 55 x 30 mm

ADDITIONAL FEATURES

SMART Technology (Self-Monitoring, Analysis and Reporting Technology)

Description

Allows hard drives to monitor their own health and to raise flags if imminent failures were predicted

ENVIRONMENTAL & INDUSTRY

Eco-Label Certifications & declarations

This product has received or is in the process of being certified to the following approvals and may be labeled with one or more of these marks:

- IT ECO declaration
- US ENERGY STAR®
- EPEAT® 2019 registered where applicable. EPEAT® registration varies by country. See <http://www.epeat.net> for registration status by country*.

*Based on US EPEAT® registration according to IEEE 1680.1-2018 EPEAT®. Status varies by country. Visit www.epeat.net for more information.

System Configuration

The configuration used for the Energy Consumption and Declared Noise Emissions data for the Desktop model is based on a “Typically Configured Desktop”.

Energy Consumption (in accordance with US ENERGY STAR® test method)

Normal Operation (Short idle)
Normal Operation (Long idle)
Sleep
Off

115VAC, 60Hz

230VAC, 50Hz

100VAC, 50Hz

NOTE: Energy efficiency data listed is for an ENERGY STAR® certified product if offered within the model family. HP computers marked with the ENERGY STAR® Logo are compliant with the applicable U.S. Environmental Protection Agency (EPA) ENERGY STAR® specifications for computers. If a model family does not offer ENERGY STAR® certified configurations, then energy efficiency data listed is for a typically configured PC featuring a hard disk drive, a high efficiency power supply, and a Microsoft Windows® operating system. Search keyword generator on HP's 3rd party option store for solar generator accessories at <http://www.hp.com/go/options>

Heat Dissipation*

Normal Operation (Short idle)
Normal Operation (Long idle)
Sleep
Off

115VAC, 60Hz

230VAC, 50Hz

100VAC, 50Hz

NOTE: Heat dissipation is calculated based on the measured watts, assuming the service level is attained for one hour.

Declared Noise Emissions (in accordance with ISO 7779 and ISO 9296)

Typically Configured – Idle
Fixed Disk – Random writes

Sound Power
(L_{WAd}, bels)

Sound Pressure
(L_{pAm}, decibels)

Longevity and Upgrading

This product can be upgraded, possibly extending its useful life by several years. Upgradeable features and/or components contained in the product may include:

Spare parts are available throughout the warranty period and or for up to “5” years after the end of production.

Batteries

This battery(s) in this product comply with EU Directive 2006/66/EC

Batteries used in the product do not contain:
Mercury greater the 1ppm by weight
Cadmium greater than 20ppm by weight

Technical Specifications - Environmental

Battery size: CR2032 (coin cell)

Battery type: Lithium

Additional Information

- This product is in compliance with the Restrictions of Hazardous Substances (RoHS) directive - 2011/65/EC.
- This HP product is designed to comply with the Waste Electrical and Electronic Equipment (WEEE) Directive – 2002/96/EC.
- This product is in compliance with California Proposition 65 (State of California; Safe Drinking Water and Toxic Enforcement Act of 1986).
- Plastics parts weighing over 25 grams used in the product are marked per ISO11469 and ISO1043.
- This product contains 38.3% post-consumer recycled plastic (by wt.)
- This product is 95.8% recycle-able when properly disposed of at end of life.

Packaging Materials

External: PAPER/Corrugated

Internal: PLASTIC/EPE (Expanded Polyethylene)

PLASTIC/Polyethylene low density

The plastic packaging material contains at least 90% recycled content.

The corrugated paper packaging materials contains at least 80% recycled content.

Material Usage

This product does not contain any of the following substances in excess of regulatory limits (refer to the HP General Specification for the Environment at

<http://www.hp.com/hpinfo/globalcitizenship/environment/pdf/gse.pdf>):

- Asbestos
- Certain Azo Colorants
- Certain Brominated Flame Retardants – may not be used as flame retardants in plastics
- Cadmium
- Chlorinated Hydrocarbons
- Chlorinated Paraffins
- Formaldehyde
- Halogenated Diphenyl Methanes
- Lead carbonates and sulfates
- Lead and Lead compounds
- Mercuric Oxide Batteries
- Nickel – finishes must not be used on the external surface designed to be frequently handled or carried by the user.
- Ozone Depleting Substances
- Polybrominated Biphenyls (PBBs)
- Polybrominated Biphenyl Ethers (PBBEs)
- Polybrominated Biphenyl Oxides (PBBOs)
- Polychlorinated Biphenyl (PCB)
- Polychlorinated Terphenyls (PCT)
- Polyvinyl Chloride (PVC) – except for wires and cables, and certain retail packaging has been voluntarily removed from most applications.
- Radioactive Substances
- Tributyl Tin (TBT), Triphenyl Tin (TPT), Tributyl Tin Oxide (TBTO)

Technical Specifications - Environmental

Packaging Usage

HP follows these guidelines to decrease the environmental impact of product packaging:

- Eliminate the use of heavy metals such as lead, chromium, mercury and cadmium in packaging materials.
- Eliminate the use of ozone-depleting substances (ODS) in packaging materials.
- Design packaging materials for ease of disassembly.
- Maximize the use of post-consumer recycled content materials in packaging materials.
- Use readily recyclable packaging materials such as paper and corrugated materials.
- Reduce size and weight of packages to improve transportation fuel efficiency.
- Plastic packaging materials are marked according to ISO 11469 and DIN 6120 standards.

End-of-life Management and Recycling

HP Inc. offers end-of-life HP product return and recycling programs in many geographic areas. To recycle your product, please go to: <http://www.hp.com/go/reuse-recycle> or contact your nearest HP sales office. Products returned to HP will be recycled, recovered or disposed of in a responsible manner.

The EU WEEE directive (2002/95/EC) requires manufacturers to provide treatment information for each product type for use by treatment facilities. This information (product disassembly instructions) is posted on the Hewlett Packard web site at: <http://www.hp.com/go/recyclers>. These instructions may be used by recyclers and other WEEE treatment facilities as well as HP OEM customers who integrate and re-sell HP equipment.

HP, Inc. Corporate Environmental Information

For more information about HP's commitment to the environment:

Global Citizenship Report

<http://www.hp.com/hpinfo/globalcitizenship/gcreport/index.html>

Eco-label certifications

<http://www8.hp.com/us/en/hp-information/environment/ecolabels.html>

ISO 14001 certifications:

<http://h20195.www2.hp.com/V2/GetDocument.aspx?docname=c04755842>
and

<http://www.hp.com/hpinfo/globalcitizenship/environment/pdf/cert.pdf>

Summary of Changes

SUMMARY OF CHANGES

Date of change:	Version History:		Description of change:
March 13, 2020	V1 to V2	Update	First page call out number 1 corrected.
	V2 to V3		

Copyright © 2020 HP Development Company, L.P. The only warranties for HP products are set forth in the express limited warranty statements accompanying such products. Nothing herein should be construed as constituting an additional warranty. HP shall not be liable for technical or editorial errors or omissions contained herein.

Bluetooth is a trademark of its proprietor and used by HP Inc. under license. Intel®, Microsoft and Windows are registered trademarks or trademarks of Microsoft Corporation in the U.S. and/or other countries. Core, Celeron and Intel® vPro are registered trademarks or trademarks of Intel Corporation in the U.S. and/or other countries. ENERGY STAR is a registered trademark of the U.S. Environmental Protection Agency.