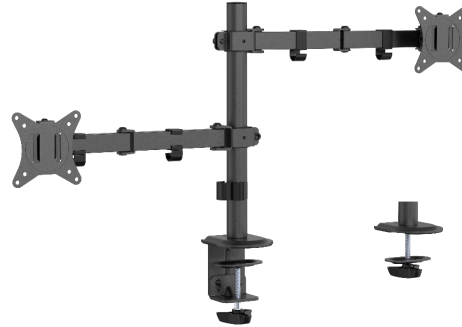


MA-D2-03

## Adjustable desk mounted double monitor arm, 17"-32"

- Position your screen perfectly
- Lightweight and tilting design



### Features

- Monitor desk mount with double monitor arm
- Arms allow to swivel, extend, retract or tilt your display and enables rotating the displays from landscape-to-portrait mode, etc
- Works with almost any LCD monitor (max. 32")
- Separate arms allow aligned mounting of monitors of different size/brands
- Strong desk clamp or grommet for easy and secure fixation on your desk
- Built-in cable management for an organized and neat workspace
- VESA compatible (100 x 100 mm and 75 x 75 mm)

### Packaging

Q'ty in crtn, pcs	4
Crtn volume, CUM	0.036708
Crtn weight, kgs	16.84
Individual package size LxWxH:	445x185x90 mm
Carton size LxWxH:	460x380x210 mm
Country of origin	CN
Barcode	8716309128155
Customs code	8302500000

### Package contents

Desk mounting arm elements  
Installation accessories kit  
Installation manual

### Specifications

Material: steel, plastic  
Surface finish: powder coating  
Color: black  
Supported screen size: 17" 32"  
Weight capacity: 9 kg (per display)  
VESA support: 75 x 75, 100 x 100 mm  
Tilt Range: +45 ° ~ -45 °  
Swivel Range: +90 ° ~ -90 °  
Screen Rotation: +180 ° ~ -180 °  
Installation: Desk clamp or grommet  
Max. desk thickness: Clamp: 10 ~ 85 mm, Grommet: 10 ~ 40 mm  
Cable management: yes  
Net weight: 3.5 kg

### Certificates

