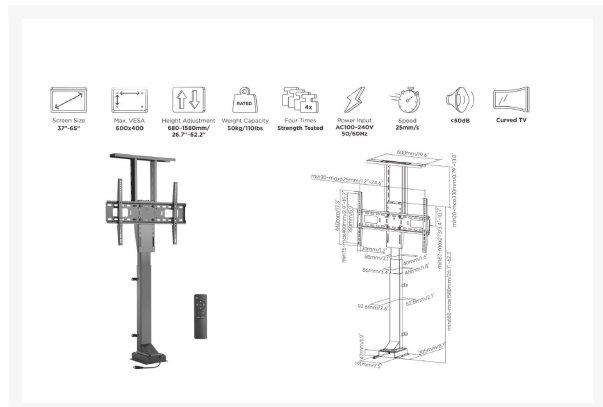
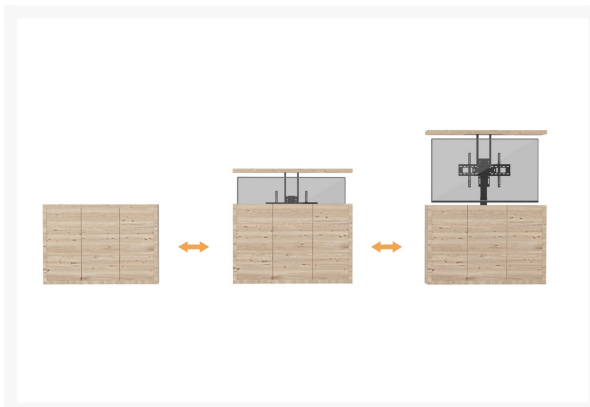
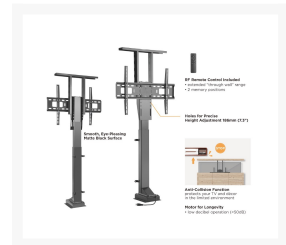
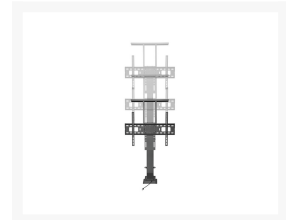
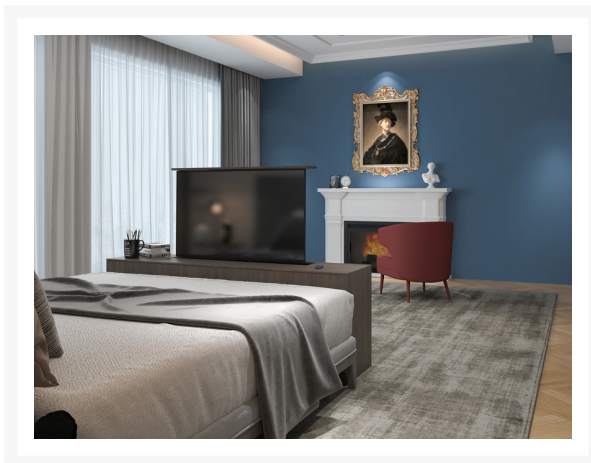
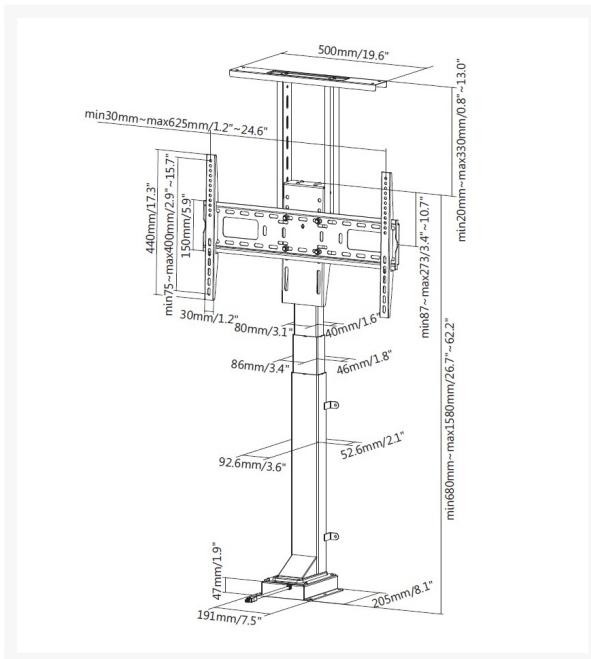


# 650606 37"-65" Motorized Remote Control TV Stand

## Product Images





## Short Description

- Max. Load Capacity: 50Kg
- Max. VESA: 600x400
- VESA standards compliant
- Lift Design: create unique enclosures or cabinets to conceal TVs
- Height adjustment Integrated cable management
- Remote Control Included: for easy movements
- Strong lifting power with low noise level
- Powerful Motor: more stable, strong and durable

## Description

The Equip 650606 helps create customized and hidden solutions for TV viewing. The top panel of the cabinet can be mounted to the stand that seals the box when the lift lowers – which saves space while maintaining a minimalist, uncluttered look. The high-quality

motor provides an automatic lift function with just the press of a button, and this smart device features an anticollision function as well, to keep your television safe. The convenient RF remote allows operation through walls and at distance from the TV.

## Additional Information

---

Color	Black
EAN	4015867221501
Model Number	650606
Approval and Compliance	RoHS
Compatible display size	37"-65"
Package Contents	650606 Manual screws kits remote control
Dimensions (W x D x H)	660 x 215 x 1910 mm
Product weight (kg)	17,6
Cable management	No
Bracket type	Fixed
Load Capacity (kg)	50kgs
Material	Plastic, Stainless Steel, Aluminum
Screens support quantity	1
Support Curved TV (Monitors)	Yes
VESA compatibility	200x200,300x200,300x300, 400x200,400x300,400x400, 600x400

