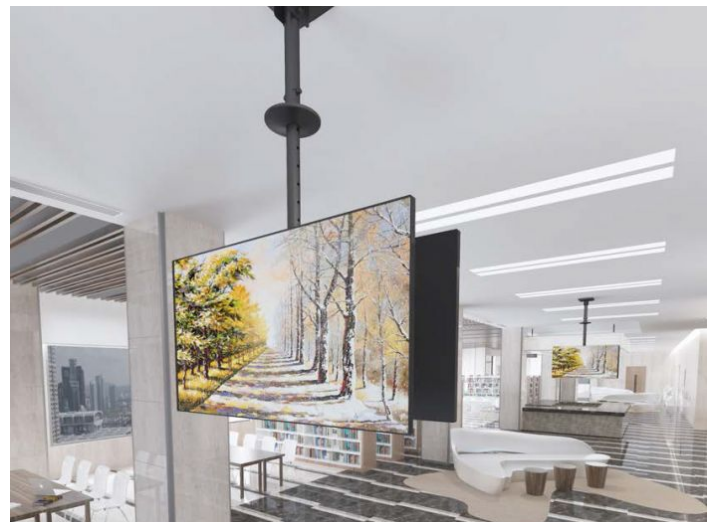
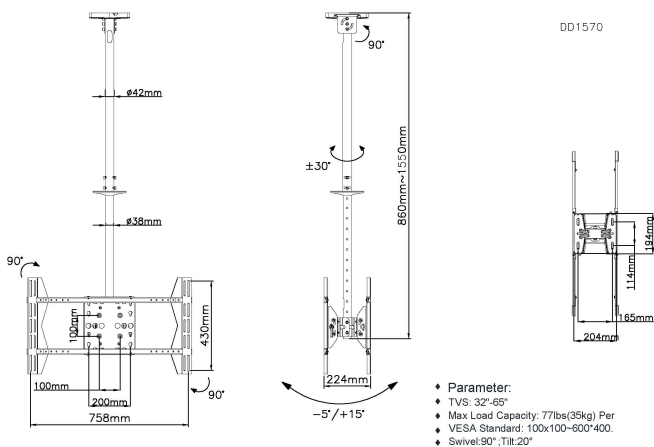


650370 39"-75" Ceiling Mount Dual Screen TV Bracket

Product Images



Short Description

1. Compatible with landscape and portrait mounting
2. Integrated bubble level assures easy installation alignment
3. Adjustment knob enables a full range of tilt/swivel action
4. VESA standards compliant
5. Built-in Cable management
6. Max VESA support: 600 x 400
7. Max Loading weight : 40kgs (per screen)

Description

The industrial-grade double TV ceiling mount from equip is the perfect choice for signage applications. The adjustable tilt device allows installation with precise and even screen tilt of the mounted screens for optimal screen visibility. The ideal choice to advertise to the public.

Additional Information

Approval and compliance	RoHS
Compatible display size	32"-65"
Anti-Theft	No
Quick Release VESA Plate	No
Support Curved TV	No
Material	Stainless Steel
Load capacity (kg)	40KG (Per screen)
Mount	Ceiling mount
Pan (Swivel) range	-30° ~ +30°
No. of supported display	2
Tilt range	-5° ~ +15°
VESA compatibility	100x100 ~ 600x400
Bracket type	Tiltable & Swivel
Product Size	1500x600x300mm
Screen Rotation	-30° ~ +30°
Cable Management	Yes
Product weight (kg)	15
Product breadth (mm)	1500
Product depth (mm)	300
Product height (mm)	600
Color	Black
EAN	4015867207970
Model number	650370
Package contents	650370 Manual screws kits
TV size	39"-75"

