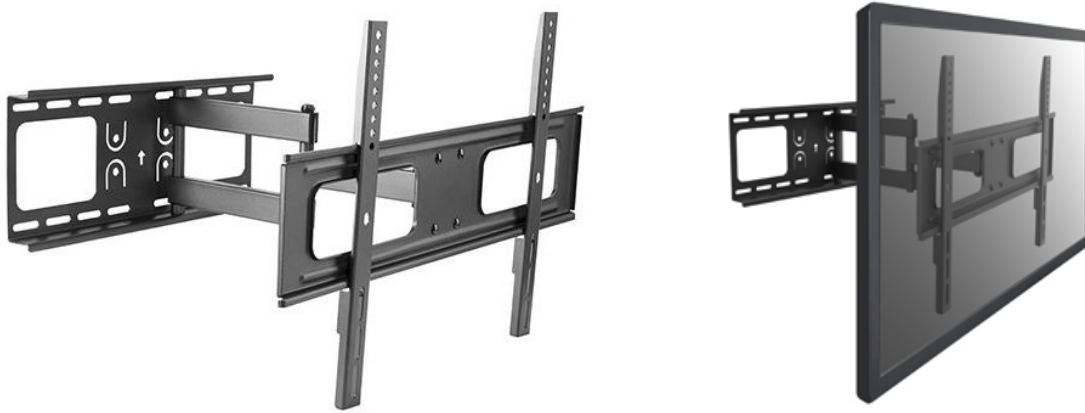


37" - 70" Articulating TV Wall Mount Bracket

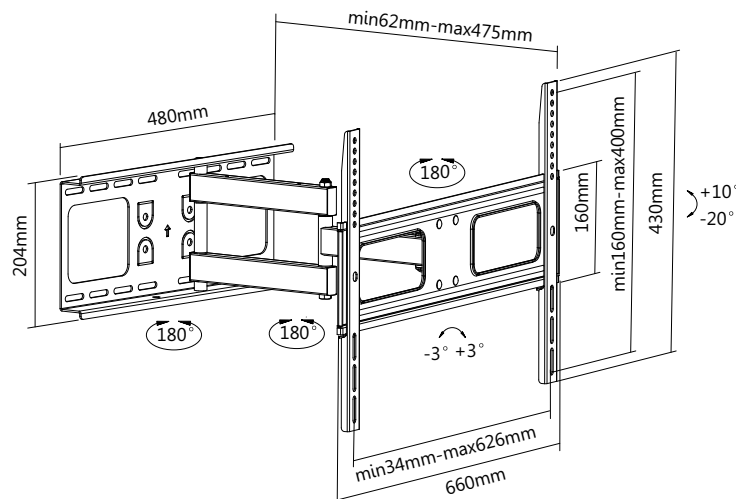
Model No.: 650316



I Overview

The equip[®] TV Wall Mount Bracket is a compact but sturdy product that ensures a reliable installation of your LCD/Plasma TV. Follow the graphic guide included in the package, you can install your TV on your own with ease. The wall bracket fits most of the wall materials- brick, concrete and wood, making the ideal choice for you to set up your screens.

I Drawing



I Key Features

- Full Motion mount
- Support level adjustment
- VESA standards compliant

I Specification

Material	Steel
Surface Finished	Powder Coating
Color	Black
Dimension	475x660x430mm
Pipe Size	40x20x1.5mm
Suggested Screen Size	37" - 70"
Support Curved TV	Yes
Load Capacity	50KG
VESA Mount Standard	100x100 200x100 100x200 200x200 300x200 200x300 300x300 400x300 300x400 400x200 400x400 600x400
Max. VESA	626x400mm
Mounting Hole Pattern	Universal
Distance to Wall	62 - 475mm
Screen Freely Tilting	Yes
Tilt Range	-20° ~ +10°
Swivel Range	-90° ~ +90°
Screen Level	-3° ~ +3°
Installation	Single Stud
Wall Plate Type	Fixed Wall Plate
Anti-Theft	No
Cable Management	Yes

I Package Contents

- 1 x Wall Mount Bracket
- 1 x Screw Pack
- 1 x Quick Installation Guide

