

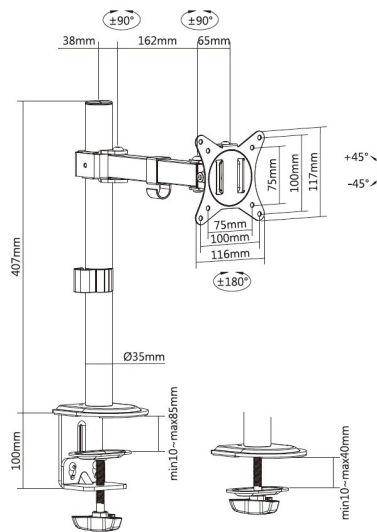
650156 17"-32" Articulating Monitor Desk Mount Bracket

Product Images





Clamp/Grommet Base
with 2-in-1 design



Short Description

- Mounting Option: Clamp (10-85mm) /Grommet (10-40mm)
- Max. Load Capacity: 9Kg
- Max. VESA: 100x100
- Screen Rotation: 360°
- Height adjustment

- Full motion mount
- Cable clips keep cables organized and protected
- VESA standards compliant
- Slide-in VESA plate provides easy access for attachment and detachment

Description

The equip® 650156 Monitor Desk Mount Bracket is a compact but sturdy product that ensures a reliable installation of your LCD/LED monitor.

Flexible design for ample adjustment and viewing angles, adjustable for either portrait or landscape orientation. The freestanding base provides stability and support on any work surface. A convenient phone slot located on the base. A detachable VESA plate for user-friendly installation

Follow the graphic guide included in the package, you can install your monitor on your own with ease.

Installation Video

Additional Information

Color	Black
EAN	4015867228258
Model Number	650156
Approval and Compliance	RoHS
Compatible display size	17"-32"
Package Contents	650156 Manual screws kits
Dimensions (W x D x H)	308 x 561 x 116 mm
Product weight (kg)	2.42
Cable management	Yes
Quick Installation VESA Plate	Yes
Suggest Desktop Thickness	Clamp: 10~85mm Grommet: 10~40mm
Compatible Display Size	17"-32", 17"-32"
Installation	Grommet,Clamp
Load Capacity (kg)	9
Material	Metal, Plastic
Mount	Desk mount
Pan (Swivel) range	+90°~-90°
Screens support quantity	1
Support Curved TV (Monitors)	Yes
Tilt range	+45°~-45°
VESA compatibility	75x75, 100x100

