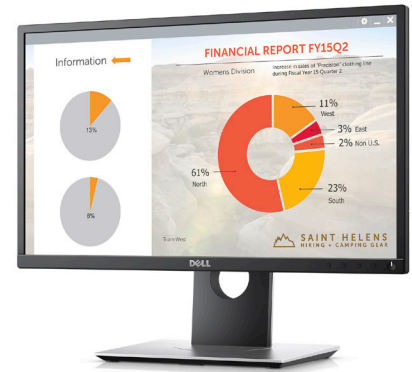




Dell 22 Monitor P2217H



The smart choice to help boost productivity with more comfort and convenience.

Enhanced productivity

Help boost your productivity with this 21.5" 16:9 aspect ratio monitor.

- Enjoy a better visual experience with a slim border design — great for multi-monitor setups.
- Efficiently auto apply predefined color settings for various applications via Dell Auto Mode.
- Reduce desk clutter with integrated power and cable management.

Improved comfort

Work the way you like, comfortably.

- Adjust your view with flexible adjustability features including tilt, pivot, swivel and height-adjustable stand.
- See images clearly with consistent colors across an ultrawide viewing angle.
- Optimize eye comfort with a flicker-free screen and ComfortView feature⁶ which minimizes blue light emission.
- Enjoy added convenience and usability thanks to two easily accessible USB 3.0 ports located on the side of the monitor.



Smart investment

You're ready now and for the future with this smart choice.

- Future proof your connectivity with a wide range of digital ports.
- Choose an eco-conscious design which meets latest regulatory and environmental standards.
- Get a variety of mounting options and accessories to flexibly configure your office.

Reliable

Comes with Dell's high reliability promise.

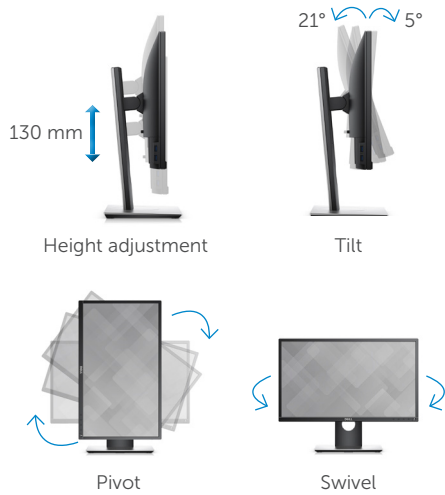
- Enjoy great reliability from the #1 monitor brand worldwide.*
- Experience peace of mind from Dell's commitment to quality and customer satisfaction with the Premium Panel⁵ Guarantee.
- Minimize downtime with Dell's 3-year Advanced Exchange Service³.

For more information visit
www.dell.com/monitors

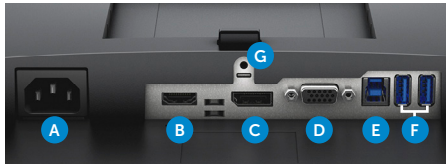
Thank you
for making
Dell Monitors

#1
worldwide*

Easily adjust the panel to your preferred viewing position.



Connectors



- A** Power cable connector
- B** HDMI
- C** DisplayPort
- D** VGA
- E** USB upstream
- F** USB downstream
- G** Stand lock feature



What's in the box?

Components

- Monitor panel
- Stand (riser and base)

Cables

- Power cable (varies by country)
- VGA, DisplayPort, USB 3.0 upstream cables

Documentation

- Drivers and documentation media (CD)
- Quick Setup Guide
- Safety and regulatory information



Dell 22 Monitor | P2217H

Display

Model number	P2217H
Viewable image size (diagonal)	54.6 cm (21.5 inches)
Active display area	
Horizontal	476.06 mm (18.74 inches)
Vertical	267.79 mm (10.54 inches)
Maximum resolution	1920 x 1080 at 60 Hz
Aspect ratio	16:9
Pixel pitch	0.248 mm x 0.248 mm
Brightness (typical)	250 cd/m ²
Color gamut (typical)	82% ¹
Color depth	16.7 million colors
Contrast ratio (typical)	1000:1
Mega dynamic contrast ratio	4 million:1
Viewing angle (typical) (vertical/horizontal)	178°/178°
Response time (typical)	6 ms gray-to-gray (typical)
Panel technology, surface	In-plane switching
Backlight	LED
Bezel color	Black

Connectivity

Connectors	DisplayPort 1.2, HDMI 1.4, VGA, 2 x USB 3.0 (side), 2 x USB 2.0 (bottom)
------------	--

Features

Stand	Tilt (Typical: 5° forward or 21° backward), pivot (90°), swivel (45°), height adjustable (130 mm)
Security	Security lock slot (security lock not included)
VESA mounting support (wall mount kit sold separately)	Dell Quick Release feature (100 x 100 mm)
Other	ComfortView, narrow bezel, stepped feature

Power

AC input voltage/frequency/current (typical)	100 to 240 VAC / 50 or 60 Hz ± 3 Hz / 1.5 A (typical)
Power consumption (normal operation)	17 W (typical) 37 W (Max.)
Power consumption (active-off mode)	< 0.3 W

Dimensions (with stand)

Height (compressed ~ extended)	354.4 mm ~ 477.8 mm (13.95 inches ~ 18.81 inches)
Width	498.9 mm (19.64 inches)
Depth	180.0 mm (7.09 inches)

Weight

Weight (panel only – no stand)	2.81 kg (6.18 lb)
Weight (with stand)	5.37 kg (11.81 lb)
Shipping weight	6.86 kg (15.09 lb)

Standard service plan

- 3 years Premium Panel Guarantee⁵
- 3 years Advanced Exchange Service³ and Limited Hardware Warranty⁴

Environmental compliance

ENERGY STAR®, EPEAT® Gold², TCO Certified Displays, CEL, CECP, RoHS, WEEE, ErP (EuP) Standards, Korea E-Standby

^{*}Dell monitors are #1 worldwide for 3 consecutive years! Source: IHS Global Inc. Desktop Monitor Market Tracker (2013 to 2015) ID# G16000073

^{**}Registered in US and Canada only.

¹ Color gamut (typical) is based on CIE1976 (82%) and CIE1931 (72%) test standards.

² EPEAT Gold registered in the U.S. EPEAT registration varies by country. See www.epeat.net for registration status by country.

³ Advanced Exchange Service: Replacement part/unit dispatched, if needed, following completion of phone/online diagnosis. Fee charged for failure to return defective unit. Availability varies. Other conditions apply.

⁴ For a copy of the Limited Hardware Warranty, write to Dell USA LP, Attn: Warranties, One Dell Way, Round Rock, TX 78682 or see dell.com/warranty.

⁵ In the event you discover even one bright pixel during the Limited Hardware Warranty period, a free panel exchange is guaranteed. (see pixel panel info located on Dell.com web page for complete details): <http://support.dell.com/support/topics/global.aspx/support/kcs/document?docid=414288>

⁶ ComfortView feature reduces blue light emission and brightness onscreen.

Product availability varies by country. Please contact your Dell representative for more information. Based on ID# G16000071 dell.com/monitors