

DHI-KTW01

IP Villa Wi-Fi Door Station & Wi-Fi Indoor Monitor



IP Villa Wi-Fi Door Station

- Thin lightweight design
- -30°C to +60°C (-22°F to +140°F) operating temperature
- IP65 (Silicone sealant is need. For details, see the quick start guide.)
- IR illumination and night vision
- Card unlock, app unlock, and indoor monitor unlock
- Two-way audio and voice call through app
- Card capacity: 10,000
- Tamper alarm
- Standard PoE
- Control two locks
- Supports wireless network

IP Indoor Monitor

- 7" TFT Capacitive touch screen, 1024x600
- IPC surveillance
- 6ch wired alarm integration
- Supports wireless network
- Record & Snapshot(SD card needed)

Technical Specification

DHI-VTO2211G-WP

System

Main Processor	Embedded processor
Operating System	Embedded Linux operating system
Button Type	Mechanical
Interoperability	ONVIF
Network Protocol	SIP; P2P; IPv4; DNS; RTSP; RTP; TCP; UDP

Basic

Camera	1/2.8" 2MP CMOS high definition, low illumination/WDR/color/IR
Field of View	Horizontal: 125°; vertical: 72°; diagonal: 142°
WDR	120dB
Noise Reduction	3D noise reduction
Video Compression	H.264
Video Resolution	Main stream: WVGA, 720P, D1 Sub stream: CIF, WVGA, QVGA, 1080P, D1
Video Frame Rate	PAL:25 fps NTSC:30 fps

Video Bit Rate	256K to 4M
Light Compensation	Auto IR
Day/Night	ICR auto switch
Audio Compression	G.711Mu; G.711u; PCM
Audio Input	1
Audio Output	Built-in speaker
Audio Mode	Two-way audio
Audio Enhancement	Echo suppression and cancellation/digital noise reduction
Audio Bit Rate	16KHz, 16Bit

Function

Communication Mode	Full digital
Unlock Mode	Card/app/indoor monitor unlock
Card Type	IC card
Motion Detection	Video motion detection
Auto Snapshot	Auto snapshot can only be enabled on indoor monitors
Leave Videos	Yes (Insert an SD card into the indoor monitor)
Wi-Fi	Yes

Wireless Standard	IEEE802.11b/802.11g/802.11n
Wireless Frequency Range	2.4GHz
Web Configuration	Yes

Performance

Card Reading Distance	3cm–5cm
Casing	PC+Acrylic

Capacity

Card	10,000
------	--------

Port

RS-485	1
Electric Lock	1
Alarm Input	1
Alarm Output	1
Power Output	1
Exit Button	1
Door Status Detection	1
Lock Control	1, normally closed by default
Network	1 10M/100M network port

Alarm

Tamper	Yes
--------	-----

General

Color	Black plate & silvery frames
Power Supply	12V DC 1A Standard PoE
Installation	Surface mount
Certifications	CE/FCC/UL
Accessory	Brackets and alarm ribbon cable
Dimensions	150 mm × 100 mm × 24.8 mm (5.91" × 3.94" × 0.98")
Protection Grade	IP 65 (silicone sealant is needed, see the quick start guide)
Operating Temperature	-30°C to +60°C (-22°F to +140°F)
Operating Humidity	10%RH–90%RH (non-condensing)
Operating Environment	Outdoor
Operating Altitude	Beneath 3000 m (9842.51 ft)
Power Consumption	Standby≤1W, working≤7W
Gross Weight	490 g (1.08 lb)

DHI-VTH5221DW-S2

System

Main Processor	Embedded processor
----------------	--------------------

Operating System	Embedded Linux operating system
Button Type	Touch button
Network Protocol	IPv4, FTP, RTSP, RTP, TCP, UDP, SIP

Basic

Screen Type	Capacitive Screen
Display	7/10 inch TFT display
Resolution	1024×600
Video Compression	H.264
Audio Compression	G.711a; G.711Mu; G.711u; PCM
Audio Input	1 omnidirectional microphone
Audio Mode	Two-way audio
Audio Enhancement	Echo suppression and cancellation/digital noise reduction
Audio Bit Rate	16KHz, 16Bit

Function

Communication Mode	Full digital
Information Release	Text messages released by the management center can be received and viewed (Insert an SD card into the indoor monitor).
Elevator Control	You can control the elevator through the indoor monitor.
Smart Home	Can be connected to Dahua smart home devices.
Leave Videos	Yes (Insert an SD card into the indoor monitor)
DND Mode	Yes
Extension Quantity	9
Wi-Fi	Yes
Wireless Standard	IEEE802.11b/802.11g/802.11n
Wireless Frequency Range	2.4GHz
Wireless Security Encryption	64/128bit WEP, WPA/WPA2, WPA-PSK/WPA2-PSK, WPS
Storage	8G Micro SD card (max SD card capacity supported is 64GB) FTP

Port

RS-485	1
Alarm Input	6
Door Bell	Yes
Network	1 RJ-45 , 10M/100Mbps self-adaptive

Alarm

SOS	Yes
-----	-----

Performance

Casing	PC+ABS
Color	White

Power Supply	Dahua Switch (the max power supply distance is 50 m) 12V DC 1A
Installation	Surface mount
Accessory	Brackets and alarm ribbon cable
Dimensions	215.0 mm × 140.0 mm × 21.0 mm (5.91" × 3.94" × 0.98")
Operating Temperature	-30°C to +55°C (-22°F to +140°F)
Operating Humidity	10%RH-90%RH (non-condensing)
Power Consumption	≤3W (standby), ≤7W (working)
Gross Weight	0.69 kg (1.52 lb)

Ordering Information

Type	Model	Description
KIT	DHI-KTW01	IP Villa Wi-Fi Door Station & Indoor Monitor

Relevant Products



DHI-VTO2211G-WP



DHI-VTH5221DW-S2

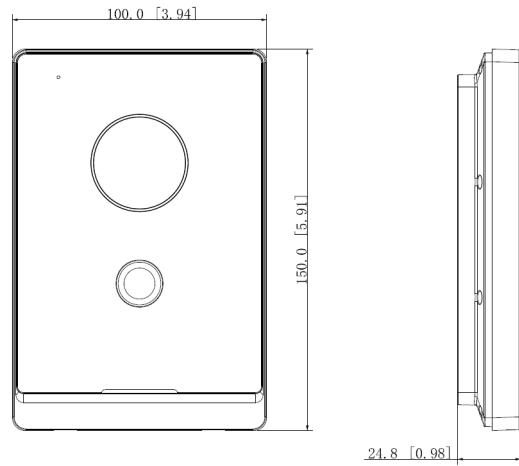


Power plug

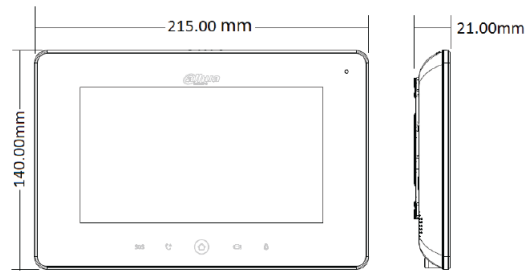


Power adapter

Dimensions (mm[inch])



DHI-VTO2211G-WP



DHI-VTH5221DW-S2

Application

