

## Stylish Photo Printer with 5 Individual Ink Tanks and Built-in Auto Duplex Printing.

- Incredible 9600 x 2400 color dpi<sup>1</sup> for the best in photo lab printing
- Print amazing 4" x 6" borderless photos in approx. 20 seconds<sup>2</sup>
- The ChromaLife100+ system gives you beautiful and long lasting photos<sup>3</sup>
- Keep It Green - Built-in 2 sided printing helps the environment and cuts your paper usage by 50%
- Do even more with the included software from easily printing web pages with "Easy-Web Print Ex"<sup>4</sup> to effortlessly adjusting photos with the new "Auto Photo Fix II"



### FEATURES

#### SPEED & QUALITY

**9600** dpi<sup>1</sup>  
Maximum

**1** pl  
Technology

**5** Individual Inks

Approx.  
**20** SEC<sup>2</sup>  
4" x 6" Photo

Approx.  
**9.2** **8.1**  
Black ipm Color ipm  
ESAT 5

**ChromaLife 100+**<sup>3</sup>

#### EASE OF USE



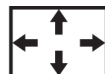
Auto Duplex Print



2Way



Auto Photo Fix II



Borderless Printing<sup>6</sup>

#### CONNECTIVITY

**USB 2.0**  
Hi-Speed

**PictBridge**



Camera  
Phone  
Printing<sup>7</sup>

**Windows**  
**Mac**

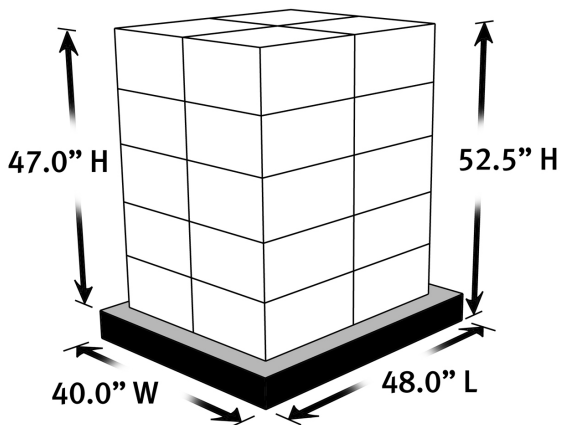
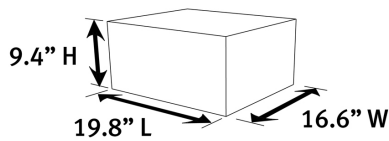
## TECHNICAL SPECIFICATIONS

<b>PRINT</b>	
<b>Print Features</b> Auto Duplex Print, Auto Photo Fix II, Borderless Printing <sup>6</sup> , Document Printing, Photo Printing	
<b>Print Speed<sup>2,5</sup></b>	
4" x 6" Borderless Photo:	Approx. 20 seconds
ESAT (Black):	Approx. 9.2 ipm
ESAT (Color):	Approx. 8.1 ipm
<b>Number of Nozzles</b> Color: 4,096 / Black: 320 / Total: 4,416	
<b>Picoliter Size (Color)</b> 1, 2 and 5	
<b>Print Resolution<sup>4</sup></b>	
Color:	Up to 9600 x 2400 dpi
Black:	Up to 600 x 600 dpi
<b>Paper Sizes</b> 4" x 6", 5" x 7", 8" x 10", Letter, Legal, U.S. #10 Envelopes	
<b>Media Compatibility</b> <b>Plain:</b> Plain Paper, High Resolution Paper; <b>Super High Gloss:</b> Photo Paper Pro Platinum, Photo Paper Pro II; <b>Glossy:</b> Photo Paper Plus Glossy II, Photo Paper Glossy; <b>Semi-Gloss:</b> Photo Paper Plus Semi-Gloss; <b>Matte:</b> Matte Photo Paper; <b>Envelope:</b> U.S.# 10 Envelope	
<b>Paper Tray Capacity (Plain Paper)</b> Auto Sheet Feeder: 150 sheets      Cassette: 150 sheets	
<b>GENERAL</b>	
<b>General Features</b> 2-Way Paper Feeding, 5 Individual Ink Tanks, Auto Sheet Feeder, Paper Output Tray Sensor, PictBridge	
<b>Noise Level</b> Approx. 46.5 dB(A)	
<b>Power Consumption (Approx.)</b> 17W (0.9W Standby)	

<b>INTERFACE</b>
<b>Standard Interface</b> USB 2.0 Hi-Speed PictBridge (Cable not included)
<b>OS COMPATIBILITY<sup>8</sup></b>
Windows Vista®, Windows XP/2000 and Mac OS® X v10.3.9 to v10.5.x
<b>SOFTWARE (WINDOWS/MAC)</b>
Setup Software & User's Guide CD-ROM PIXMA iP4700 Printer Driver Easy-PhotoPrint EX Easy-Web Print EX (Windows only) <sup>4</sup> Solution Menu
<b>WARRANTY</b>
Toll-free technical phone support plus <b>1-year limited warranty</b> with InstantExchange Program. <sup>9</sup>
<b>BOX CONTENTS</b>
PIXMA iP4700 Premium Inkjet Photo Printer Document Kit: Cross Sell Sheet Getting Started Important Information Sheet Safety Environment Information Setup Software & User's Guide CD-ROM Warranty Card Ink Tanks: PGI-220 Pigment Black CLI-221 (Cyan/Magenta/Yellow/Black) Power Cord Print Head Sample Media (4" x 6"/5 sheets)

### ORDERING INFORMATION

MODEL NUMBER	DESCRIPTION	ITEM NUMBER	UPC CODE
PIXMA iP4700	Premium Inkjet Photo Printer	3742B002	0 13803 10980 1
<b>COMPATIBLE INK</b>			
PGI-220 BK	Pigment Black Ink Tank	2945B001	0 13803 09450 3
CLI-221 C	Cyan Ink Tank	2947B001	0 13803 09452 7
CLI-221 M	Magenta Ink Tank	2948B001	0 13803 09453 4
CLI-221 Y	Yellow Ink Tank	2949B001	0 13803 09454 1
CLI-221 BK	Black Ink Tank	2946B001	0 13803 09451 0



### PALLET INFORMATION

<b>ORIGIN</b>	
Country of Origin	Thailand
Tariff Number	8443321040
<b>PRODUCT INFORMATION</b>	
Individual Printer Dimensions	17.0" (L) x 11.7" (W) x 6.0" (H)
Individual Box Dimensions	19.8" (L) x 16.6" (W) 9.4" (H)
Weight of Individual Printer	12.4 lbs.
Weight of Individual Box	18.5 lbs.
<b>PALLET INFORMATION</b>	
Number of Boxes per Pallet	20
Dimensions (Pallet and Boxes)	48.0" (L) x 40.0" (W) 52.5" (H)
Dimensions without Pallet	39.6" (L) x 33.2" (W) 47.0" (H)
Loaded Pallet Weight	370 lbs.
<b>DATE</b>	
Availability	TBD

**SPECIFICATIONS ARE SUBJECT TO CHANGE WITHOUT NOTICE**

- 1 Resolution may vary based on printer driver setting. Color ink droplets can be placed with a horizontal pitch of 1/9600 inch at minimum.
- 2 Photo print speeds are based on the standard mode driver setting using photo test pattern(s) and select Canon Photo Paper. Print speed is measured as soon as first page begins to feed into printer and will vary depending on system configuration, interface, software, document complexity, print mode, types of paper used and page coverage. See [www.usa.canon.com/printspeed](http://www.usa.canon.com/printspeed) for additional information.
- 3 Canon cannot guarantee the longevity of prints; results may vary depending on printed image, drying time, display/storage conditions and environmental factors. See [www.usa.canon.com/chromaLife100plus](http://www.usa.canon.com/chromaLife100plus) for additional information.
- 4 Compatible with Microsoft Internet Explorer 7 in Windows Vista or XP. Not included on installation CD. Requires Internet connection during installation.
- 5 ISO/IEC 24734, 24735 define the default print and copy speed measurement methods. Print speeds are the averages of ESAT in Office Category Test for the default simplex mode, ISO/IEC 24734, excluding time to print the first set. Copy speed is the average of FCOT, ISO/IEC 24735 Annex D. See our [www.canon.com/ipm](http://www.canon.com/ipm) for additional details.
- 6 Supported paper types for borderless printing are as follows: Photo Paper Pro Platinum, Photo Paper Pro II, Photo Paper Plus Glossy II, Photo Paper Plus Semi-gloss, Photo Paper Glossy and Matte Photo Paper.
- 7 Requires mobile phone equipped with PictBridge technology and a USB cable.
- 8 System requirements vary by application.
- 9 Warranty programs are subject to certain conditions and restrictions. See [www.canontechsupport.com](http://www.canontechsupport.com) for details.

©2009 Canon U.S.A., Inc. Canon and PIXMA are registered trademarks of Canon Inc. in the United States and may be registered trademarks or trademarks in other countries. Microsoft, Windows, Windows Vista, the Windows Vista logo, Windows 7 and the Windows 7 logo are trademarks or registered trademarks of Microsoft Corporation in the United States and other countries. Macintosh and Mac are trademarks of Apple Inc., registered in the United States and other countries. The USB-IF logo is a trademark of Universal Serial Bus Implementers Forum, Inc. All other product and brand names are trademarks of their respective owners. As an ENERGY STAR® partner, Canon U.S.A., Inc. has determined that this product meets the ENERGY STAR® guidelines for energy efficiency.

